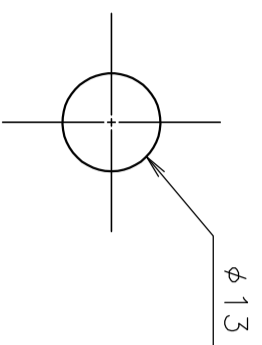


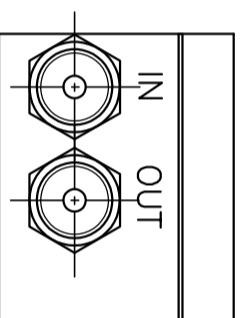
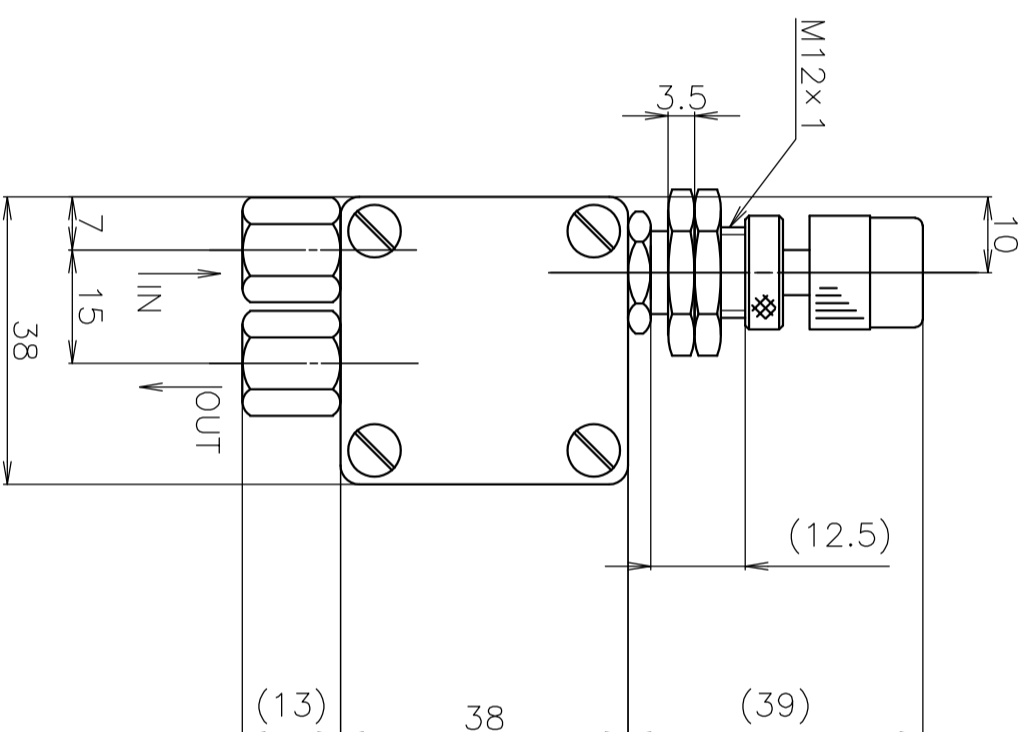
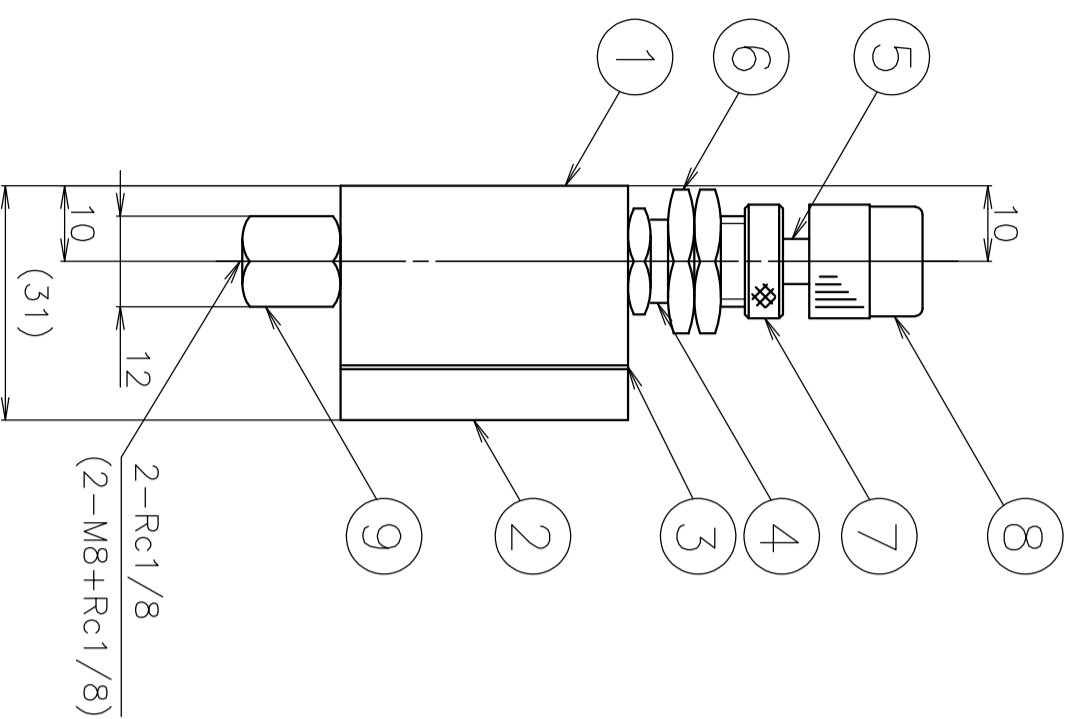
Standard Specifications

Rated flow rate	10mL/min.up to 20L/min
Control accuracy	Fluctuation within 1.0% indicated valve of load pressure fluctuation (Inlet-to-outlet pressure difference 0.05MPa or over)
Adjust screw rotation	Approx. 12 turns
Max.working pressure	0.8MPa(G)
Max.working temperature	60℃
Needle valve	Precision needle valve model 2412
Materials of areas in contact with fluid	(A) Al,Brass,316 stainless steel,POM,NBR (SS) 316 stainless steel,PCTFE,FKM
Connection end	Rc1/8(M8x 1+Rc1/8)

* AIR conversion (atmospheric pressure) 20c conditions.



Cut Out Dimension



Dwg. No.	FR330011A1
Name	Mass flow controller MODEL 2203
Customer	
MODEL:2203-	

Specifications

Fluid: _____

Max Flow rate: _____

Material: _____

Pressure: _____ (inlet)

Filter: _____

Connection: _____

Remarks: _____

9	Connecting joint (Rc1/8)	316 Stainless steel	2	
8	Knob	ABS	1	
7	Cap nut	Brass	1	
6	Mounting nut	Brass	2	
5	Needle adjust screw	303 Stainless steel	1	
4	Needle body	Brass	1	316 stainless steel
3	Diaphragm	NBR	1	FKM
2	Lid	Al	1	316 stainless steel
1	Main unit	Al	1	316 stainless steel

No.	NAME	A	SS	Qt.	NOTES
SCALE	1/1	R	E	V	
3RD ANGLE PROJ.					

KOFLOC Corp.

DESIGNED	DRAWN	CHECKED	APPROVED
----------	-------	---------	----------

DATE / /

Dimension in mm size