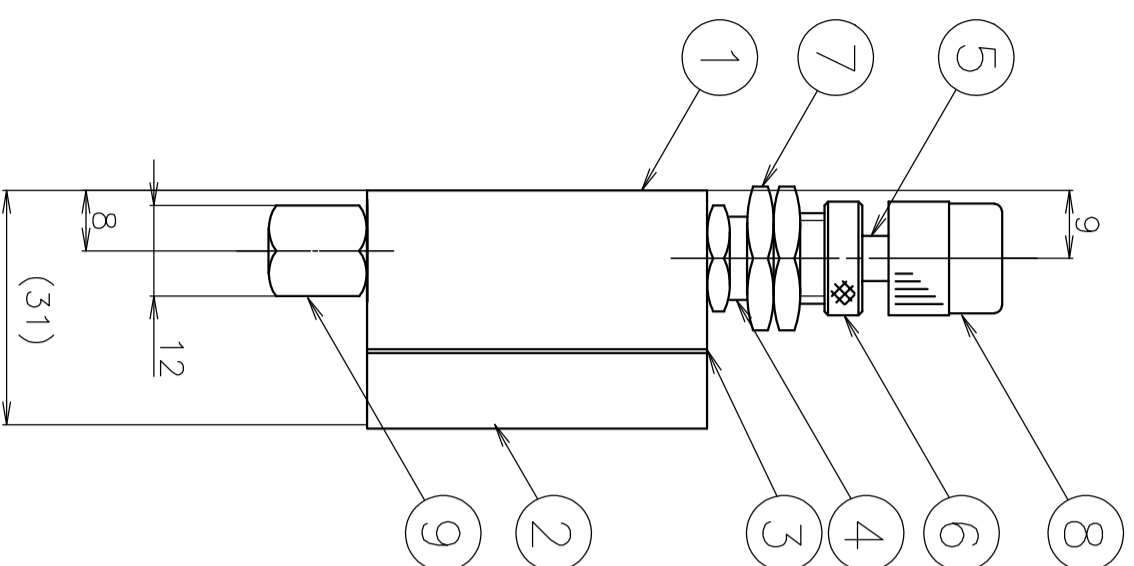
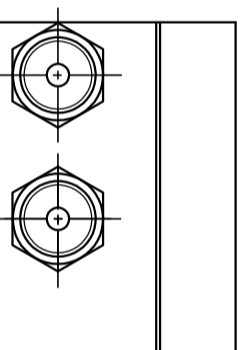
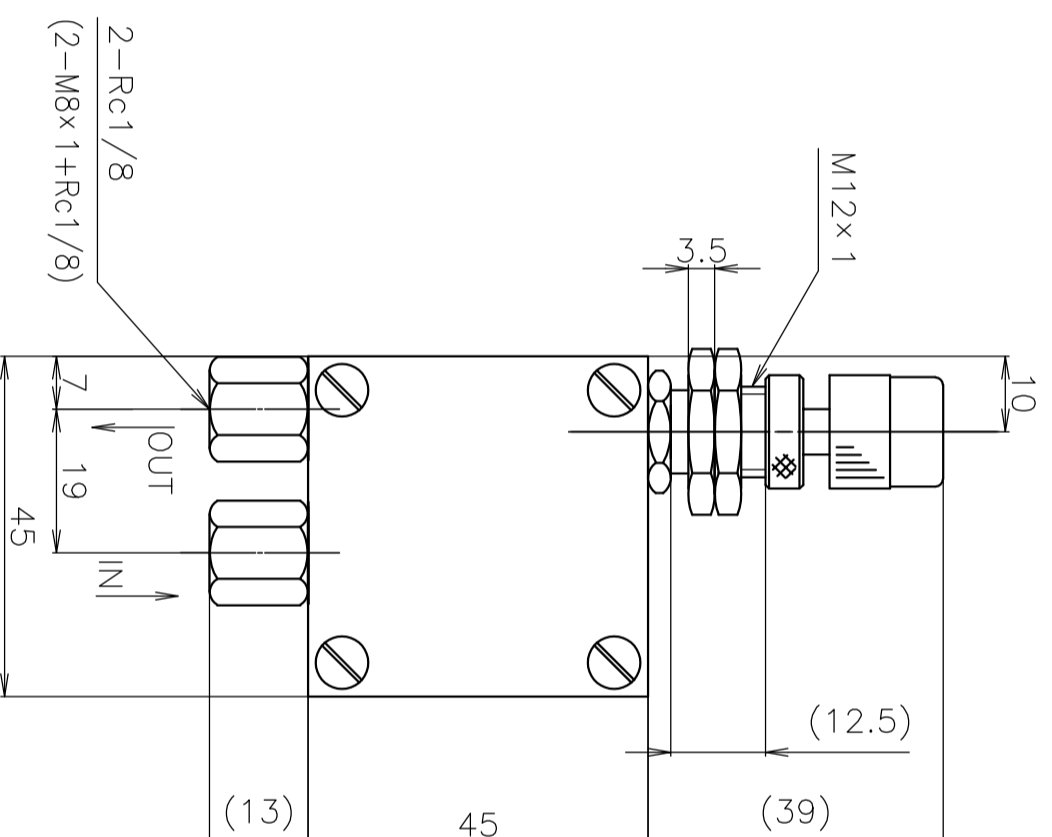


Cut Out Dimension



Standard Specifications	
Rated flow rate	10mL/min.up to 10L/min
Control accuracy	Within ±2% of the set flow valve to pressure fluctuations in a range of 0.3MPa when the primary pressure (input pressure) varies between 0.07MPa and 0.8MPa
Adjust screw rotation	Approx. 12 turns
Max.working pressure	0.8MPa(G)
Max.working temperature	60°C
Needle vavle	Precision needle valve model 2412
Materials of areas in contact with fluid	(A) Al,Brass,316 stainless steel,POM,NBR,Hard glass (SS) 316 stainless steel,PCTFE,FKM,Hard glass
Connection end	Rc1/8(M8x1+Rc1/8)

\* AIR conversion (atmospheric pressure) 20°C conditions.



Dwg. No.	FR330012A1	MODEL
Name	Mass flow controller	2204
Customer		

MODEL:2204-  
Specifications

Fluid: \_\_\_\_\_  
 Max Flow rate: \_\_\_\_\_  
 Material: \_\_\_\_\_  
 Pressure: (inlet) \_\_\_\_\_ (outlet) \_\_\_\_\_  
 Filter: \_\_\_\_\_  
 Connection: \_\_\_\_\_  
 Remarks: \_\_\_\_\_

No.	NAME	A	SS	Qt.	NOTES
9	Connecting joint (Rc1/8)	316 Stainless steel		2	
8	Knob	ABS		1	
7	Mounting nut	Brass		2	
6	Cap nut	Brass		1	
5	Needle adjust screw	303 Stainless steel		1	
4	Needle body	Brass	316 Stainless steel	1	
3	Diaphragm	NBR	FKM	1	
2	Lid	Al	316 Stainless steel	1	
1	Main unit	Al	316 Stainless steel	1	

SCALE	1/1
3RD ANGLE PROJ.	R E V

**KOFLOC Corp.**

DESIGNED	DRAWN	CHECKED	APPROVED
----------	-------	---------	----------

DATE / /

Dimension in mm size