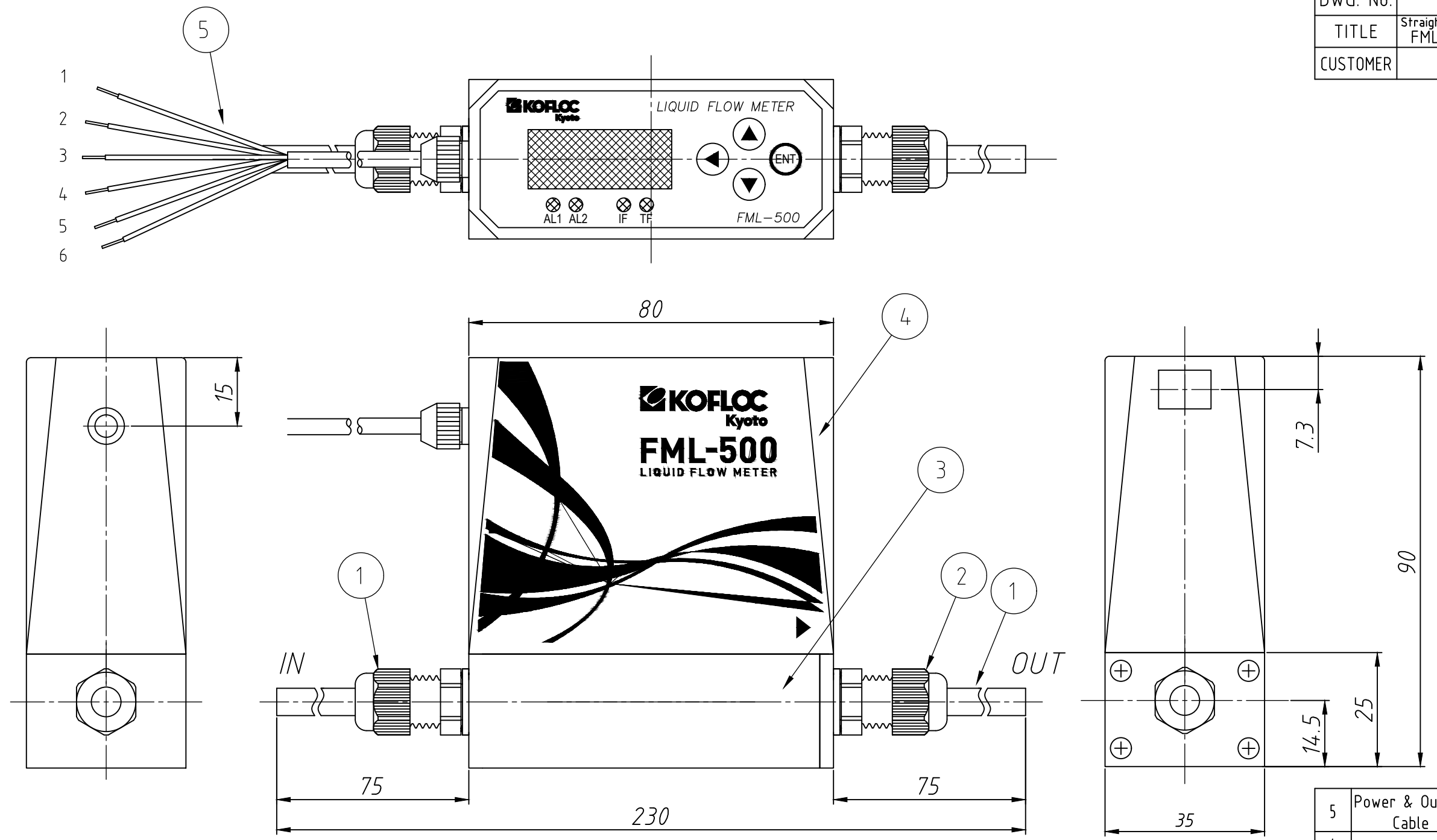


DWG. No.	MR300228A1
TITLE	Straight Type Ultrasonic Flow Meter FML-500 Standard drawing
CUSTOMER	



Instalration thread
4 - M3 thread Depth, 4

① Power & Output Cable

Pin No.	Signal Name	Color
1	Power Supply+24V	Red
2	Power Supply/ Current Output COM	Black
3	Current Output	White
4	Alarm Output 1	Green
5	Alarm Output 2	Yellow
6	Alarm COM	Blown

5	Power & Output Cable		Table.1
4	Cover	ABS	
3	Main Unit	POM	
2	Cable Ground		
1	Connection Tube	φ 6× φ 4 NewPFA	
No.	NAME	SPECIFICATIONS	NOTES
SCALE	1 : 1	PROJECTION	

Rev.			
KOFLOC Corp.			
DESIGNED	DRAWN	CHECKED	APPROVED
DATE	/	/	/