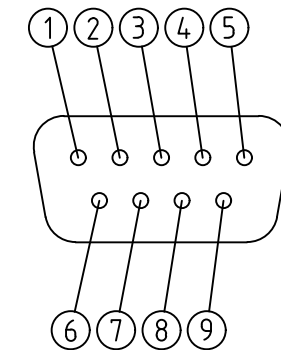
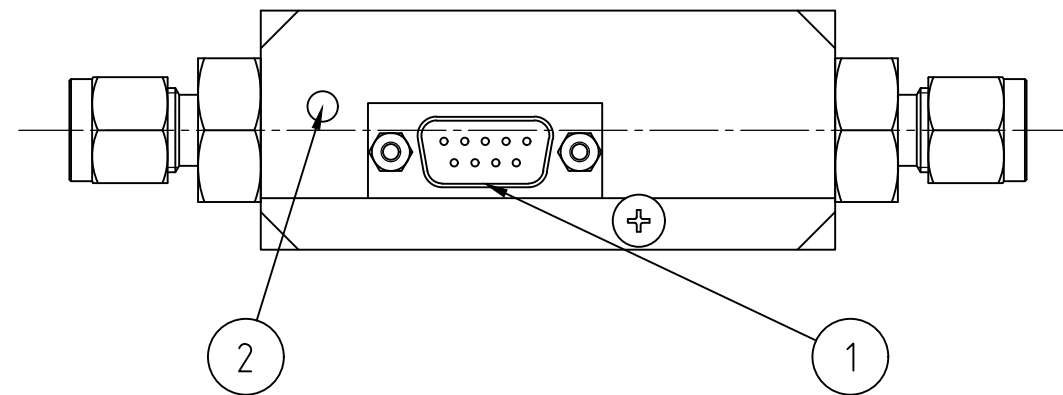
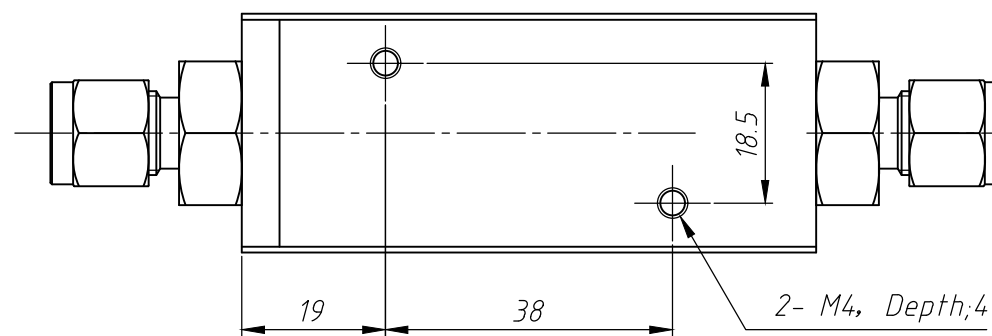
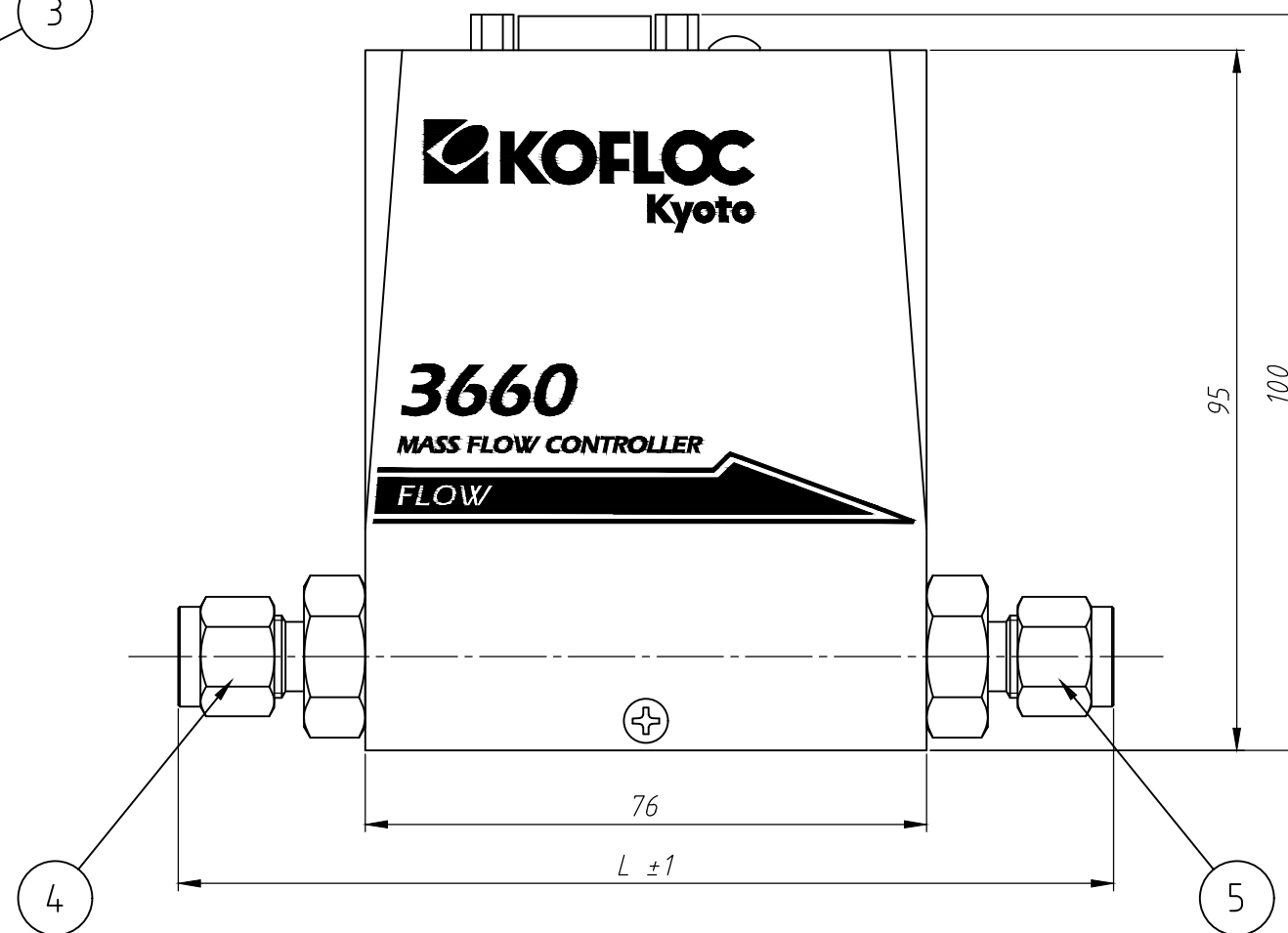
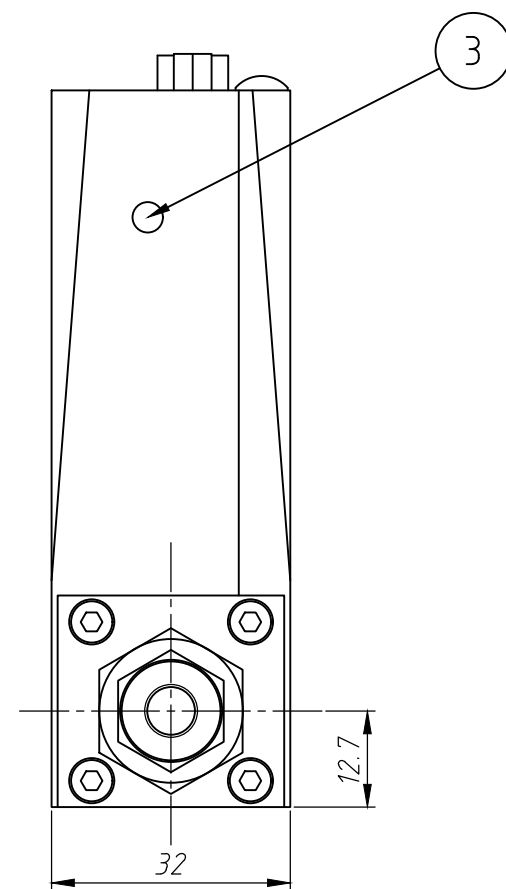


|          |                                    |
|----------|------------------------------------|
| DWG. No. | MR300093A1                         |
| TITLE    | Mass Flow Controller<br>MODEL 3660 |
| CUSTOMER |                                    |



D-sub connector (male)

| Pin No. | Signal Name      |
|---------|------------------|
| 1       | Valve Open/Close |
| 2       | Output Signal    |
| 3       | Power +15VDC     |
| 4       | Power Common     |
| 5       | Power -15VDC     |
| 6       | SetPoint Hi      |
| 7       | Signal Common    |
| 8       | SetPoint Lo      |
| 9       | Valve Test Point |



| Fitting   | Dimension L(mm) |
|-----------|-----------------|
| 1/8" F900 | 122.8           |
| 1/4" F900 | 127.4           |
| 3/8" F900 | 130.4           |
| 1/4" UJR  | 123.8           |
| Rc 1/4    | 102.0           |

|   |                 |                   |  |
|---|-----------------|-------------------|--|
| 5 | Outlet Fitting  |                   |  |
| 4 | Inlet Fitting   |                   |  |
| 3 | Span Adjustment |                   |  |
| 2 | Zero Adjustment |                   |  |
| 1 | Connector       | D sub 9 Pin(male) |  |

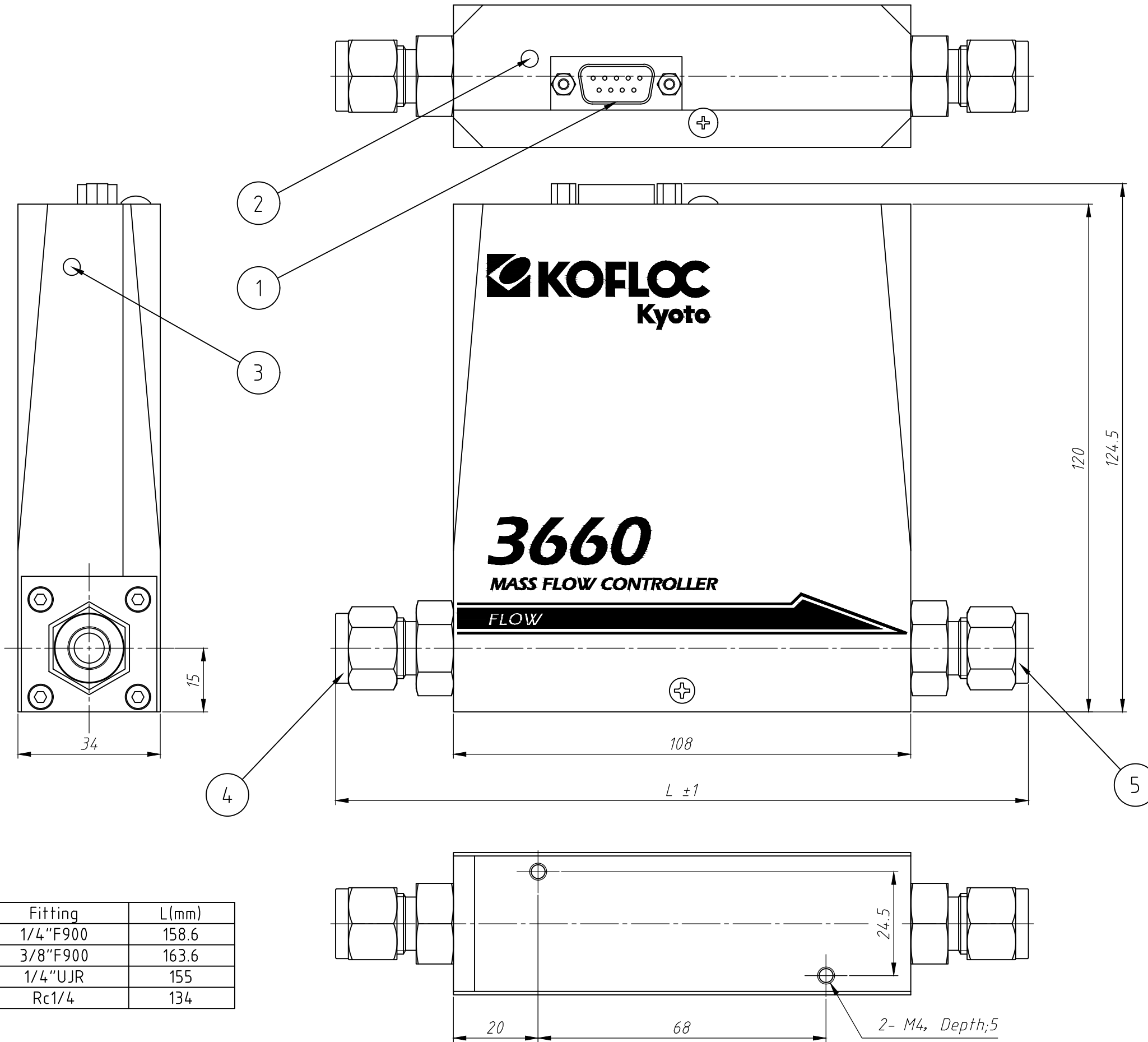
| No.   | Name  | Specification | Note |
|-------|-------|---------------|------|
| SCALE | 1 : 1 | PROJECTION    |      |

| Rev. |  |  |  |
|------|--|--|--|
|      |  |  |  |

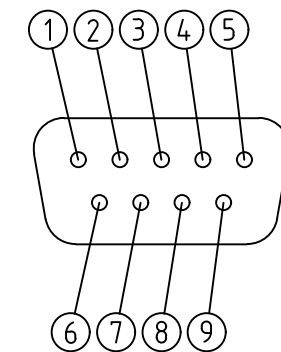
**KOFLOC Corp.**

| DESIGNED | DRAWN           | CHECKED | APPROVED |
|----------|-----------------|---------|----------|
| ----     | S.Ou            |         |          |
| DATE     | 06 / Jun / 2019 |         |          |

|          |                                    |
|----------|------------------------------------|
| DWG. No. | MR300095A1                         |
| TITLE    | Mass Flow Controller<br>MODEL 3665 |
| CUSTOMER |                                    |



| Fitting   | L(mm) |
|-----------|-------|
| 1/4" F900 | 158.6 |
| 3/8" F900 | 163.6 |
| 1/4" UJR  | 155   |
| Rc1/4     | 134   |



D-sub connector (male)

| Pin No. | Signal Name      |
|---------|------------------|
| 1       | Valve Open/Close |
| 2       | Output Signal    |
| 3       | Power +15VDC     |
| 4       | Power Common     |
| 5       | Power -15VDC     |
| 6       | SetPoint Hi      |
| 7       | Signal Common    |
| 8       | SetPoint Lo      |
| 9       | Valve Test Point |

|   |                 |                   |  |
|---|-----------------|-------------------|--|
| 5 | Outlet Fitting  |                   |  |
| 4 | Inlet Fitting   |                   |  |
| 3 | Span Adjustment |                   |  |
| 2 | Zero Adjustment |                   |  |
| 1 | Connector       | D sub 9 Pin(male) |  |

| No.   | Name  | Specification | Note |
|-------|-------|---------------|------|
| SCALE | 1 : 1 | PROJECTION    |      |

| Rev. |  |
|------|--|
|      |  |

**KOFLOC Corp.**

| DESIGNED | DRAWN           | CHECKED | APPROVED |
|----------|-----------------|---------|----------|
| ----     | S.Ou            |         |          |
| DATE     | 06 / Jun / 2019 |         |          |