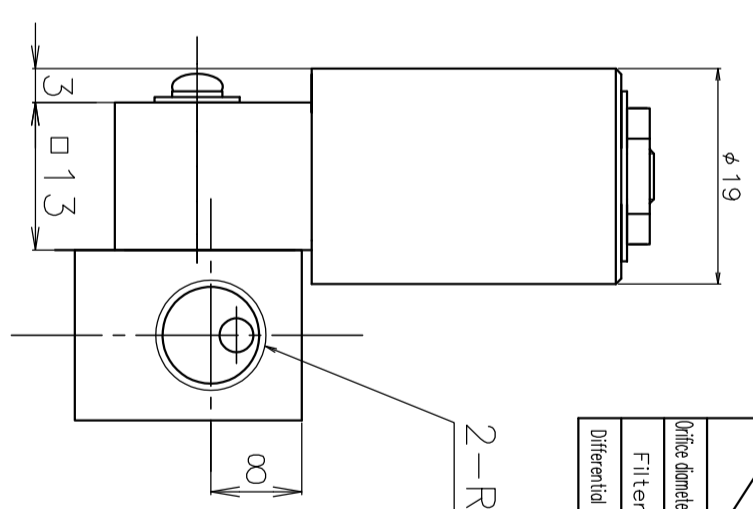
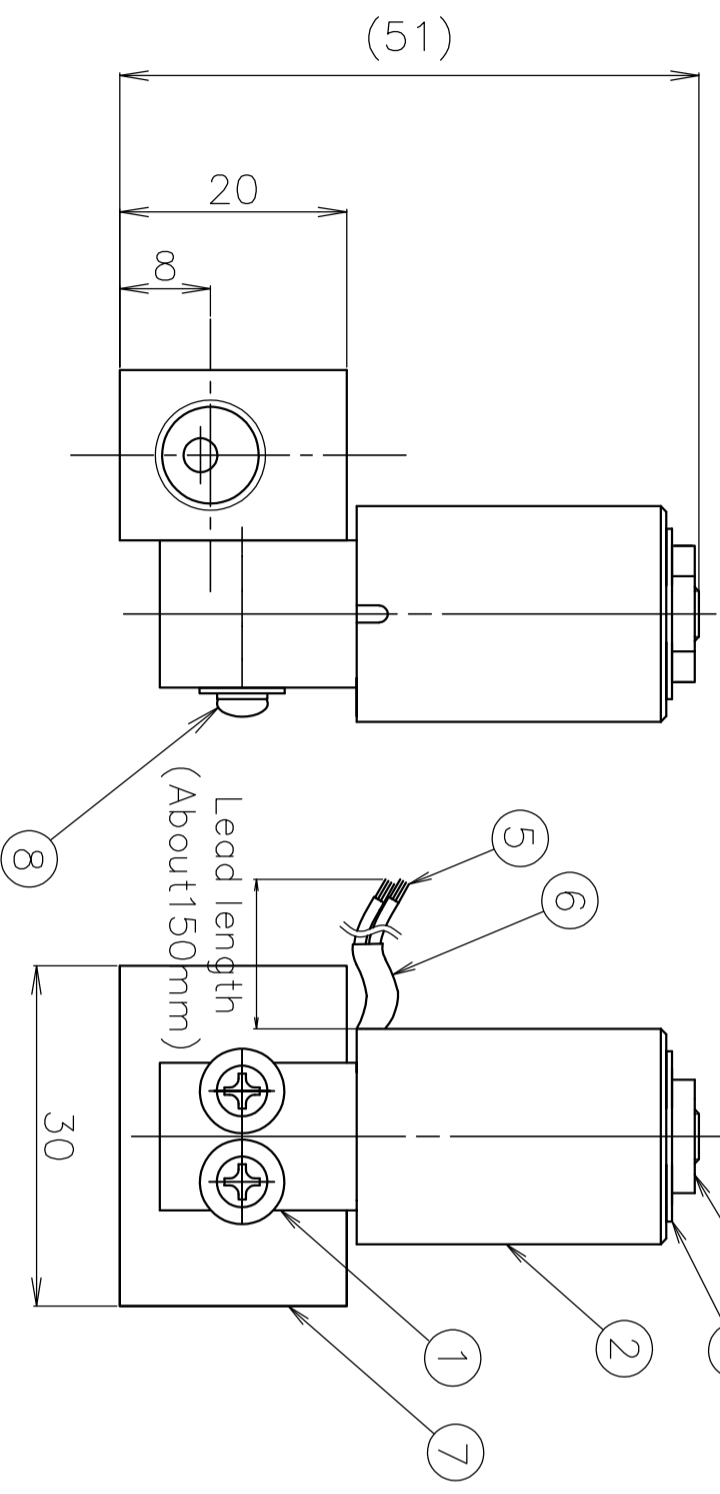
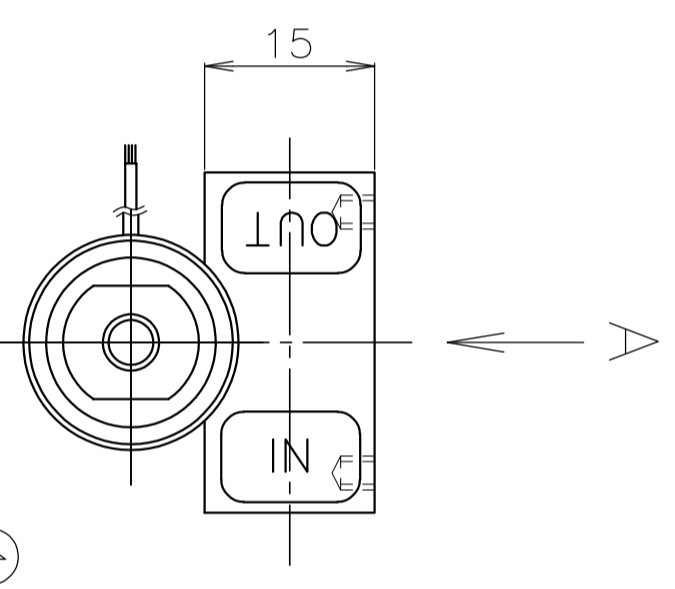
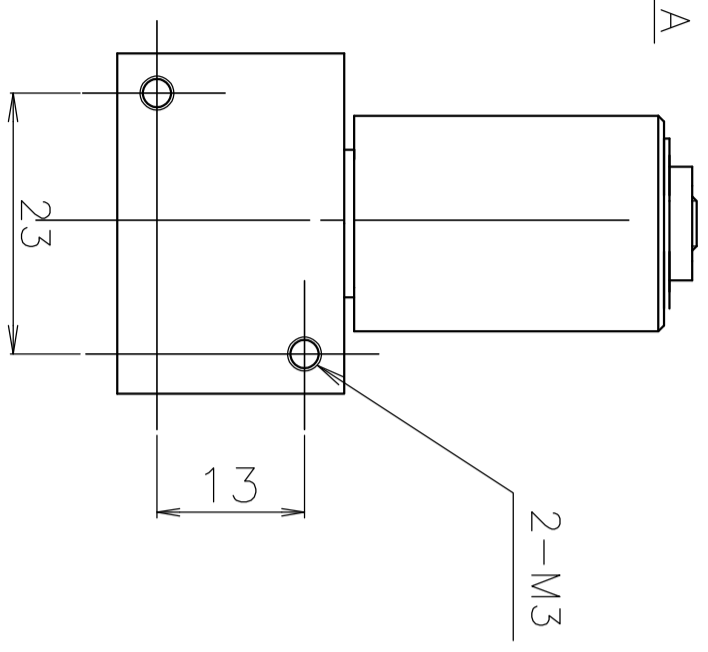


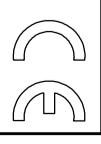
View A



Specifications about:

| | |
|--|---|
| Proof pressure | 0.98MPa(G) |
| Weight | Approx. 140g |
| Size(mm) | D13x17.5 + ϕ 19x31 |
| Working temperature range | 0 to 50°C |
| Retention temperature range | -5 to 70°C |
| Lead Wire | UL3266 XLPE #28 |
| Coil resistance | (24V) 300 \pm 15 Ω (at20°C) (12V) 165 \pm 10 Ω (at20°C) |
| Power consumption | (24V) Max.2W (12V) Max.1W |
| Hysteresis | 15% or less (full-scale current) |
| Valve actuator | Normally closed solenoid valve |
| Internal leak | Model3010-3030 : 0.1mL/min or less 3040,3050 : 0.2mL/min or less |
| Materials of areas in contact with fluid | (B)C3604,430F stainless steel,316 stainless steel, 304 stainless steel,FKM (SS)316 stainless steel,430F stainless steel, 304 stainless steel,FKM |
| Connection end | Rc1/8 |

| | |
|----------|--|
| DWG. No. | FR380002A1 |
| NAME | Small proportional solenoid valve 3000 |
| CUSTOMER | |
| MODEL | MODEL:3000-**-3 |



Specifications

Fluid: _____

Max Flow rate: _____

Connection: Rc 1/8

Inlet-Outlet _____

Pressure difference: _____

Remarks: RoHS Compliant

| Model name | | | | | |
|---------------------|---------------------|------|---------|------|---------|
| | 3010 | 3020 | 3030 | 3040 | 3050 |
| Office diameter(mm) | 0.08 | 0.28 | 0.50 | 0.75 | 1.30 |
| Filter | 20 μ m (IN/OUT) | | | | NON |
| Differential Pres. | ~0.98MPa | | ~0.6MPa | | ~0.4MPa |

| | | | |
|-----------------|----------------------|---------------------------------|-----------|
| 8 | M3 Screw | — | 2 |
| 7 | Rc1/8 Baseblock | SUS316 | 1 |
| 6 | Heat shrinkable tube | flexible polyolefin resin | 1 |
| 5 | Lead wire | polyurethane copper wire | 1 |
| 4 | Nut | SUS430F | 1 |
| 3 | Magnetic washer B | SUS430 | 1 |
| 2 | Magnetic yolk | SUS430F | 1 |
| 1 | Block | C3604 316 Stainless steel | 1 |
| No. | NAME | B SS | Qt. NOTES |
| SCALE | 1.5/1 | R | |
| 3RD ANGLE PROJ. | | E | |
| | | V | |

KOFLOC Corp.

| | | | |
|----------|-------|---------|----------|
| DESIGNED | DRAWN | CHECKED | APPROVED |
|----------|-------|---------|----------|

| | | |
|------|---|---|
| DATE | / | / |
|------|---|---|

Dimension in mm size

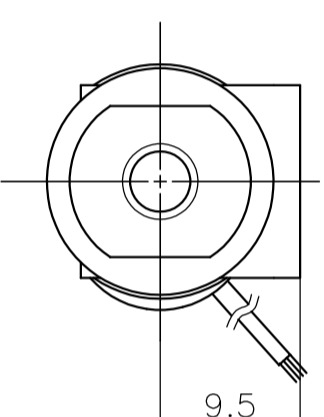
| | |
|----------|--|
| DWG. No. | FR380003A1 |
| NAME | Small proportional solenoid valve 3000 |
| CUSTOMER | |

MODEL:3000-

Remark:

Materials of areas in contact with liquid:
 316 stainless steel, 304 stainless steel,
 430F stainless steel, C3604, FKM

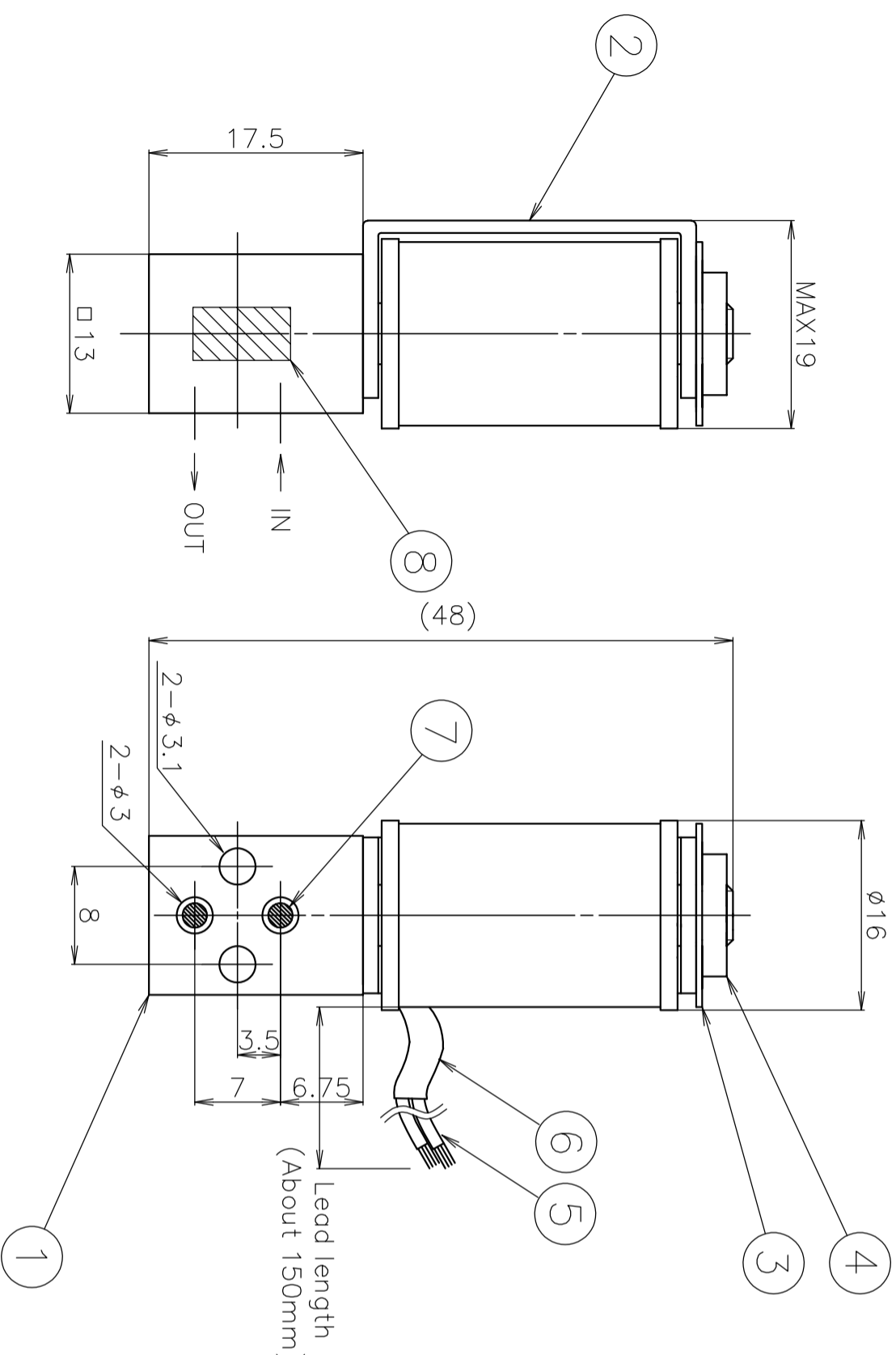
RoHS Compliant



Orifice Size label

| | |
|-----------------------------|--|
| Proof pressure | 0.98MPa(g) |
| Weight | Approx. 60g |
| Size(mm) | D13x17.5 + ϕ 16x31 |
| Working temperature range | 0 to 50°C |
| Retention temperature range | -5 to 70°C |
| Lead Wire | UL3266 XLPE #28 |
| Coil resistance | (24V) $300\pm 15\Omega$ (at20°C) (12V) $165\pm 10\Omega$ (at20°C) |
| Power consumption | (24V) Max.2W (12V) Max.1W |
| Hysteresis | 15% or less (full-scale current) |
| Valve actuator | Normally closed solenoid valve |
| Internal leak | Model3010-3030: 0.1mL/min or less 3040,3050: 0.2mL/min or less |
| Connection end | ϕ 3.0 (standard) |

| Orifice diameter(mm) | Model name | | |
|----------------------|---------------------|---------|---------|
| | 3010 | 3020 | 3030 |
| 0.08 | 0.28 | 0.50 | 0.75 |
| 1.30 | | | |
| Filter | 20 μ m (IN/OUT) | | |
| Differential Pres. | ~0.98MPa | ~0.6MPa | ~0.4MPa |



| No. | NAME | MATERIAL | Qt. | NOTES |
|-----|----------------------|---------------------------|-----|-------|
| 8 | Size label | — | 1 | |
| 7 | Filter | SUS316 | 2 | |
| 6 | Heat shrinkable tube | flexible polyolefin resin | 1 | |
| 5 | Lead wire | polyurethane copper wire | 1 | |
| 4 | Nut | SUS430F | 1 | |
| 3 | Magnetic washer B | SUS430 | 1 | |
| 2 | Magnetic yolk | SUS430F | 1 | |
| 1 | Block | C3604 | 1 | |

| | | | |
|---------------------|-------------|---------|----------|
| SCALE | 2/1 | | |
| 3RD ANGLE PROJ. | R E V | | |
| KOFLOC Corp. | | | |
| DESIGNED | DRAWN | CHECKED | APPROVED |
| S.Furukawa | | | |

Dimension in mm size

DATE 25 / DEC. / 2021

| | |
|----------|--|
| DWG. No. | FR380004A1 |
| NAME | Small proportional solenoid valve 3000 |
| CUSTOMER | |

MODEL:3000-**-2

Remark:

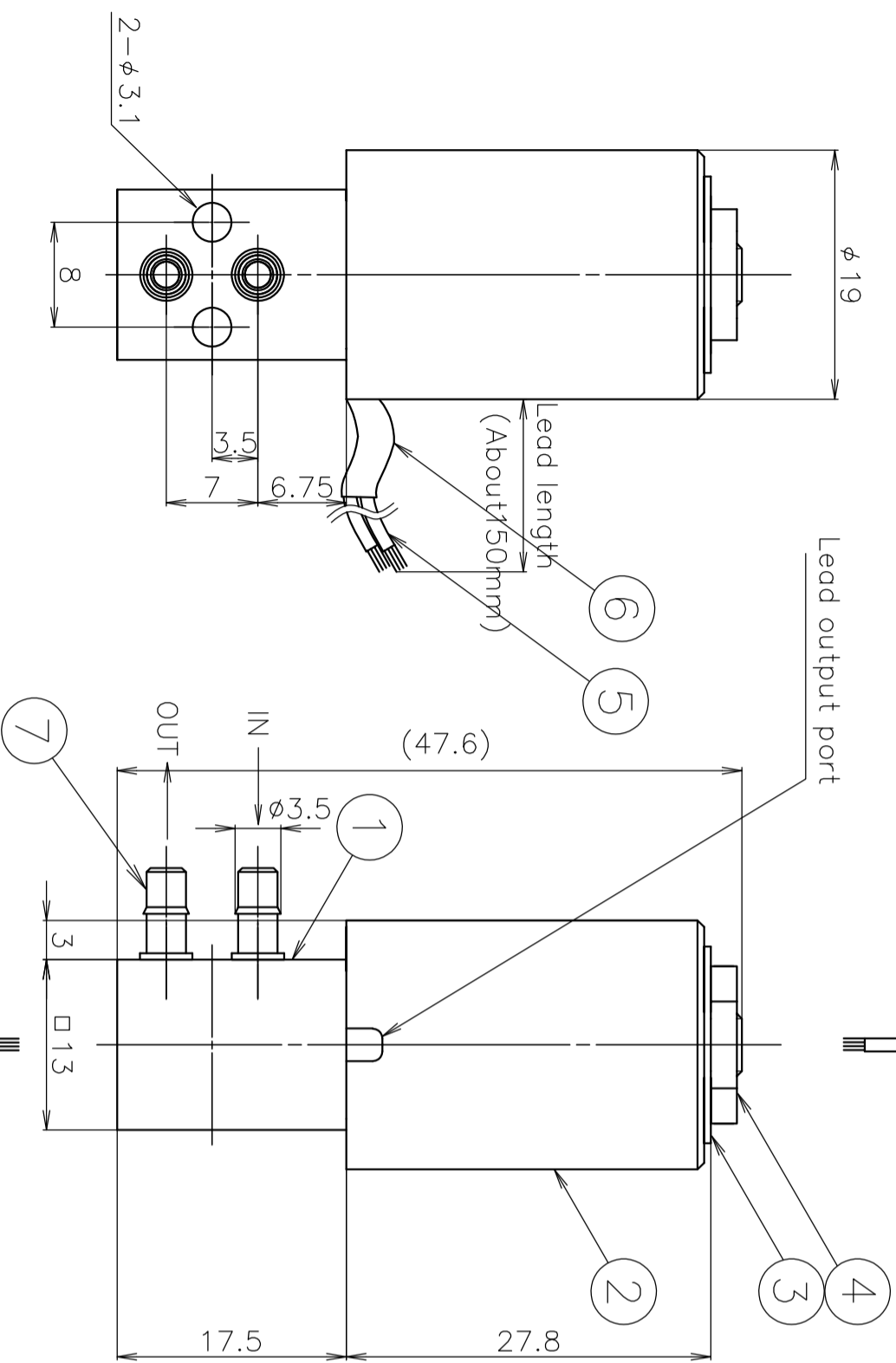
Materials of areas in contact with liquid:
 316 stainless steel, 304 stainless steel,
 430F stainless steel, C3604, FKM

RoHS Compliant



| | |
|-----------------------------|---|
| Proof pressure | 0.98MPa(g) |
| Weight | Approx. 60g |
| Size(mm) | Ø13x17.5 + Ø19x31 |
| Working temperature range | 0 to 50℃ |
| Retention temperature range | -5 to 70℃ |
| Lead Wire | UL3266 XLPE #28 |
| Coil resistance | (24V) 300±15Ω (at20℃) (12V) 165±10Ω (at20℃) |
| Power consumption | (24V) Max.2W (12V) Max.1W |
| Hysteresis | 15% or less (full-scale current) |
| Valve actuator | Normally closed solenoid valve |
| Internal leak | Model3010-3030: 0.1mL/min or less 3040,3050: 0.2mL/min or less |
| Connection end | Ø3 hoses nipple |

| | Model name | | |
|----------------------|----------------|---------|---------|
| | 3010 | 3020 | 3030 |
| Orifice diameter(mm) | 0.08 | 0.28 | 0.50 |
| Filter | 100μm (IN/OUT) | | |
| Differential Pres. | ~0.98MPa | ~0.6MPa | ~0.4MPa |



| | | | |
|-------------------|----------------------|---------------------------|-----|
| 7 | Ø3hose nipple | C3604 | 2 |
| 6 | Heat shrinkable tube | flexible polyolefin resin | 1 |
| 5 | Lead wire | polyurethane copper wire | 1 |
| 4 | Nut | SUS430F | 1 |
| 3 | Magnetic washer B | SUS430 | 1 |
| 2 | Magnetic yolk | SUS430F | 1 |
| 1 | Block | C3604 | 1 |
| No. | NAME | MATERIAL | Qt. |
| NOTES | | | |
| 3RD ANGLE PROJ. V | | | |
| SCALE 2/1 | | | |

KOFLOC Corp.

| | | | |
|----------|-------|---------|----------|
| DESIGNED | DRAWN | CHECKED | APPROVED |
|----------|-------|---------|----------|

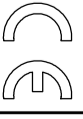
DATE / /

Dimension in mm size

Specifications about.

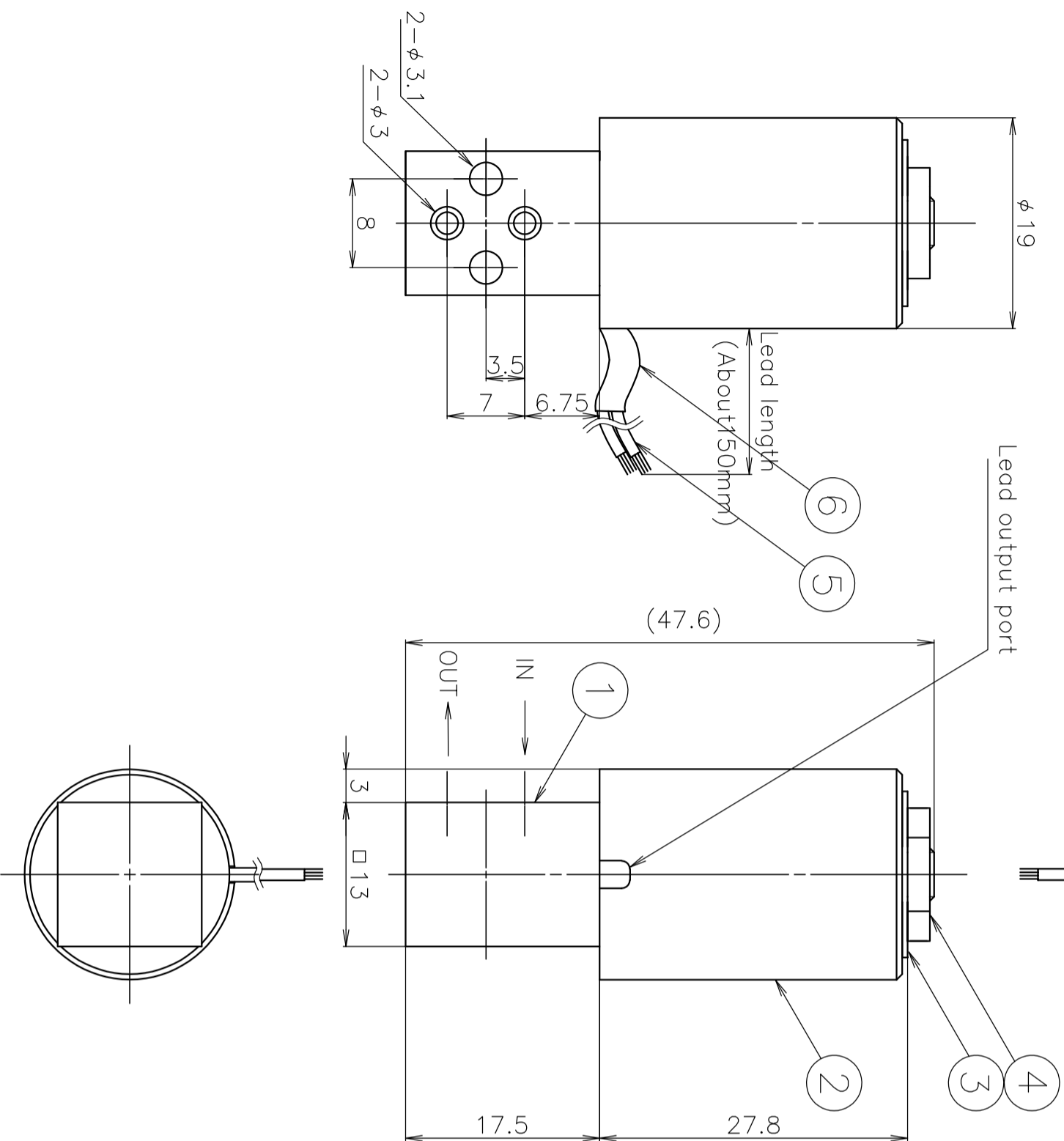
| | |
|--|---|
| Proof pressure | 0.98MPa(G) |
| Weight | Approx. 60g |
| Size(mm) | □13×17.5 + φ19×31 |
| Working temperature range | 0 to 50℃ |
| Retention temperature range | -5 to 70℃ |
| Lead Wire | UL 3266 XLPE #28 |
| Coil resistance | (24V) 300±15Ω (at20℃) (12V) 165±10Ω (at20℃) |
| Power consumption | (24V) Max.2W (12V) Max.1W |
| Hysteresis | 15% or less (full-scale current) |
| Valve actuator | Normally closed solenoid valve |
| Internal leak | Model3010-3030: 0.1mL/min or less 3040,3050: 0.2mL/min or less |
| Materials of areas in contact with fluid | (B)C3604,430F stainless steel,316 stainless steel, 304 stainless steel,FKM (SS)316 stainless steel,430F stainless steel, 304 stainless steel,FKM |
| Connection end | φ3.0 (standard) |

| | |
|----------|--|
| DWG. No. | FR380001A1 |
| NAME | Small proportional solenoid valve 3000 |
| CUSTOMER | |
| MODEL | MODEL:3000- |



Specifications

Fluid: _____
 Max Flow rate: _____
 Connection: _____
 Inlet-Outlet _____
 Pressure difference: _____
 Remarks: RoHS Compliant



| Orifice diameter(mm) | Model name | | |
|----------------------|---------------|------|---------|
| | 3010 | 3020 | 3030 |
| 0.08 | 0.28 | 0.50 | 0.75 |
| 0.50 | 0.75 | 1.30 | |
| Filter | 20μm (IN/OUT) | | |
| Differential Pres. | ~0.98MPa | | ~0.6MPa |
| | | | ~0.4MPa |

| No. | NAME | Material | Qt. | NOTES |
|-----|----------------------|---------------------------------|-----|-------|
| 6 | Heat shrinkable tube | flexible polyolefin resin | 1 | |
| 5 | Lead wire | polyurethane copper wire | 1 | |
| 4 | Nut | SUS430F | 1 | |
| 3 | Magnetic washer B | SUS430 | 1 | |
| 2 | Magnetic yolk | SUS430F | 1 | |
| 1 | Block | C3604 316 Stainless steel | 1 | |

| | | | |
|---------------------|-------------|---------|----------|
| SCALE | 2/1 | | |
| 3RD ANGLE PROJ. | R E V | | |
| KOFLOC Corp. | | | |
| DESIGNED | DRAWN | CHECKED | APPROVED |

Dimension in mm size

DATE / /