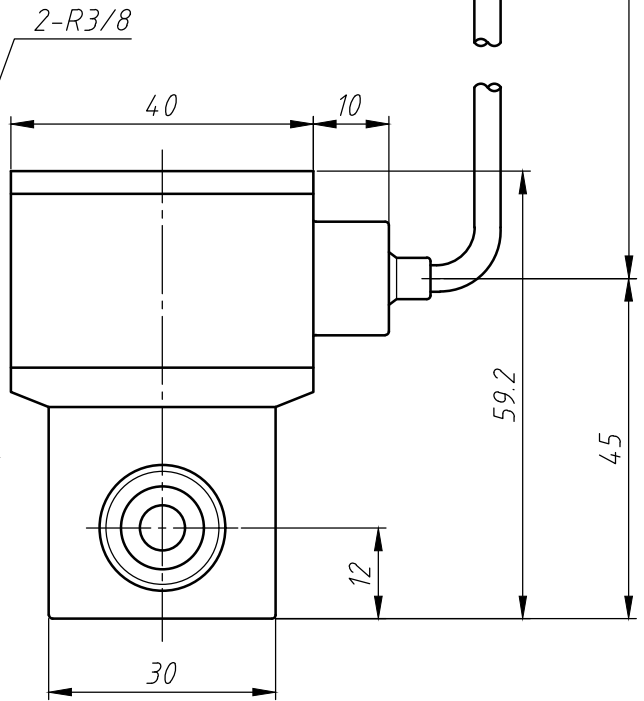
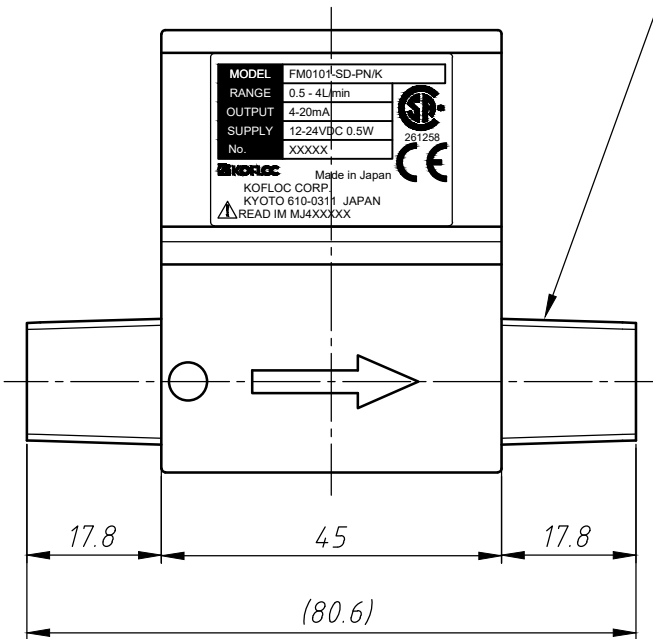
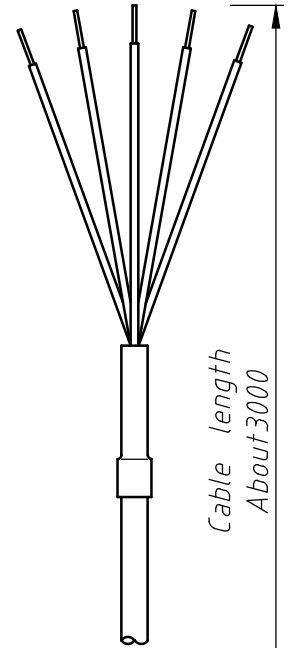
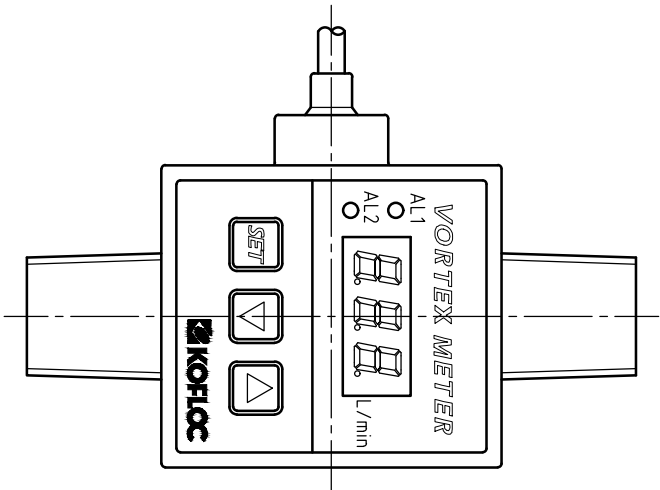


DWG. No.	MR400007A1
TITLE	Small Karman Vortex Flow Meter for Liquids MODEL FM0101(With indicator)



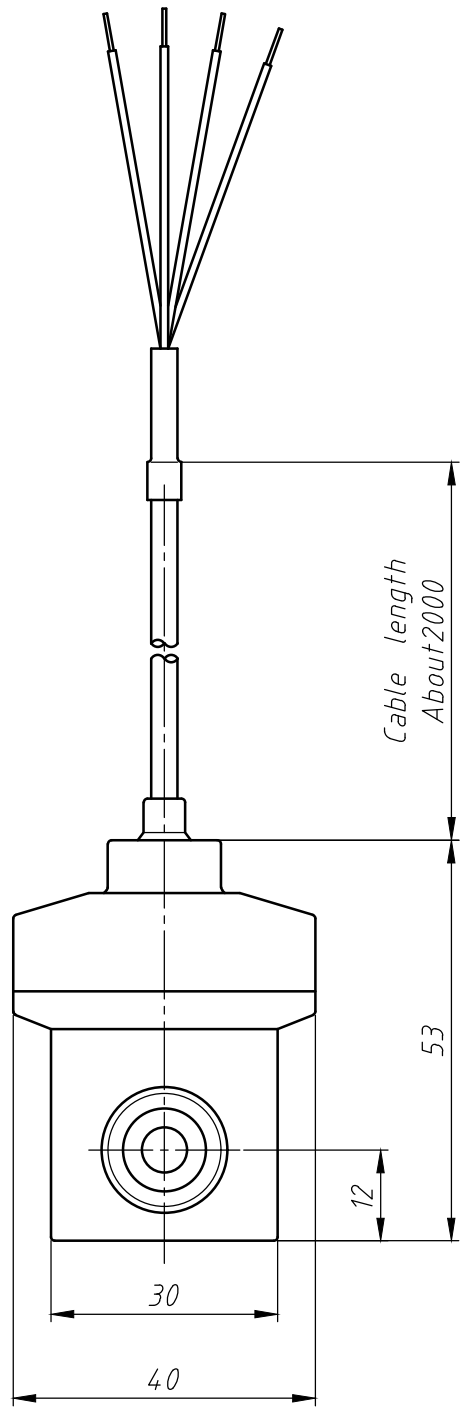
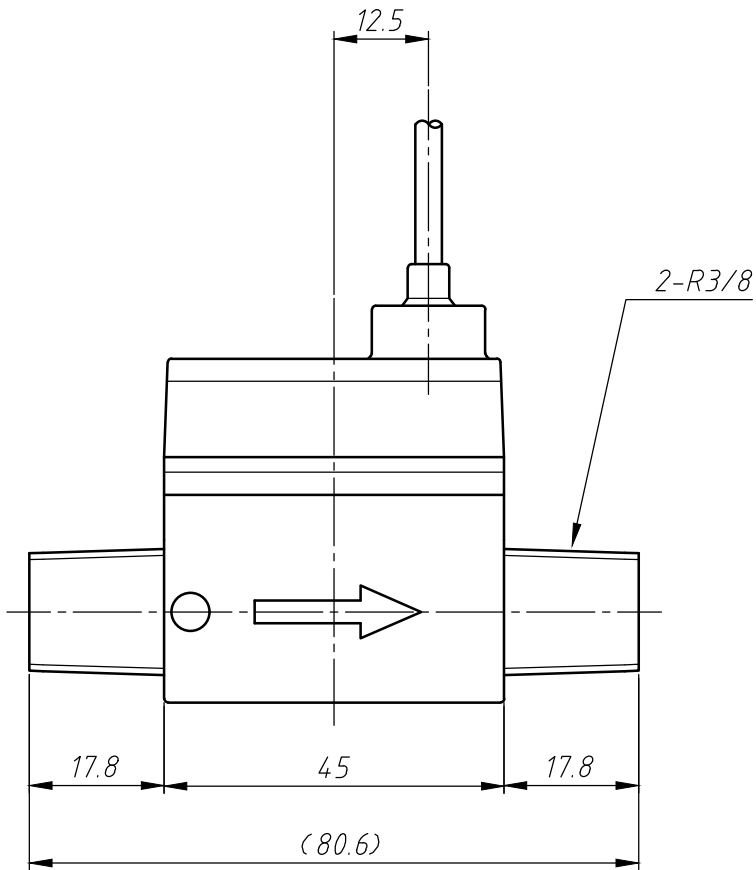
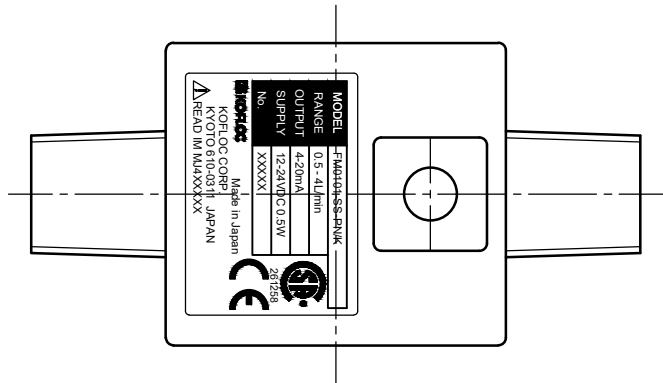
MODEL	FM0101-SD-PN/K
RANGE	0.5 - 4L/min
OUTPUT	4-20mA
SUPPLY	12-24VDC 0.5W
No.	XXXXX

Made in Japan
 KOFLOC CORP.
 KYOTO 610-0311 JAPAN
 READ IM MJ4XXXXX

SCALE	1 : 1	PROJECTION	
Rev.			
KOFLOC Corp.			
DESIGNED	DRAWN	CHECKED	APPROVED
----	Yonamine		
DATE	07 / Jan / 2020		

NOTE:
 Tolerances for unspecified outside dimensions: ±0.8
 Tolerances for other unspecified dimensions: ±0.4

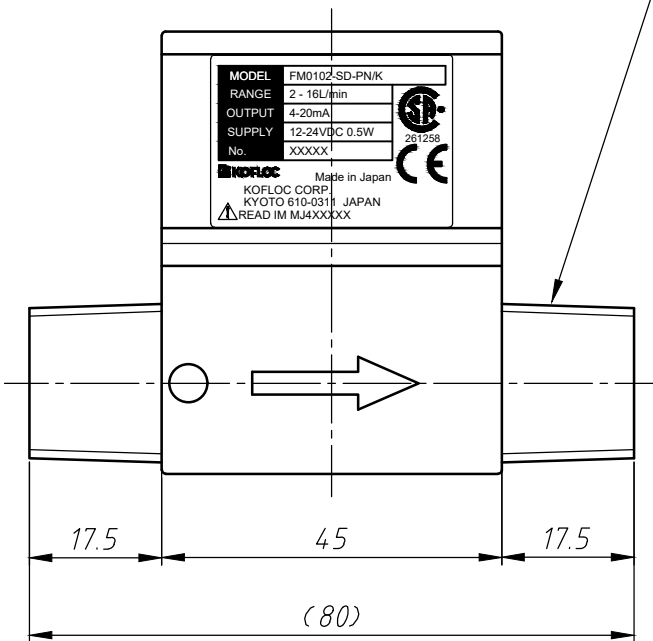
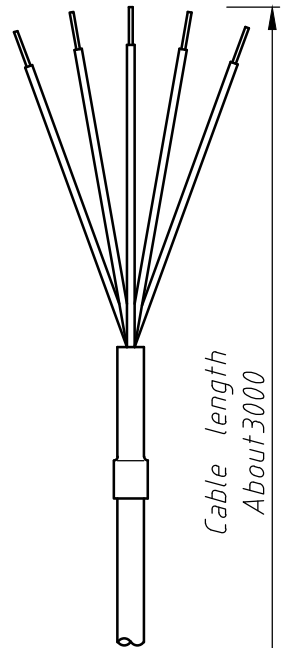
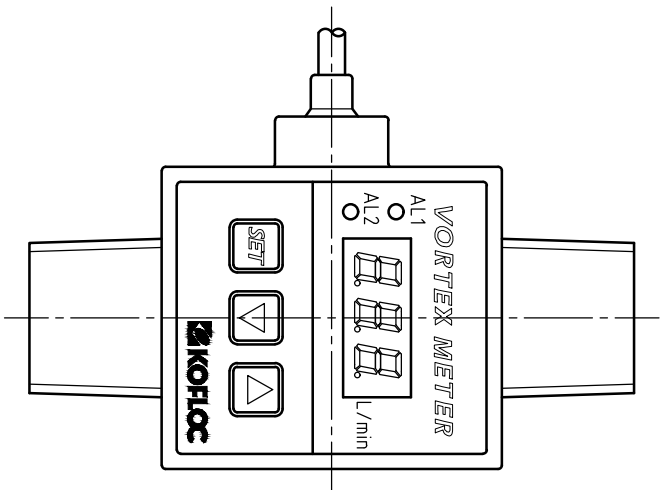
DWG. No.	MR400008A1
TITLE	Small Karman Vortex Flow Meter for Liquids MODEL FM0101(Without indicator)



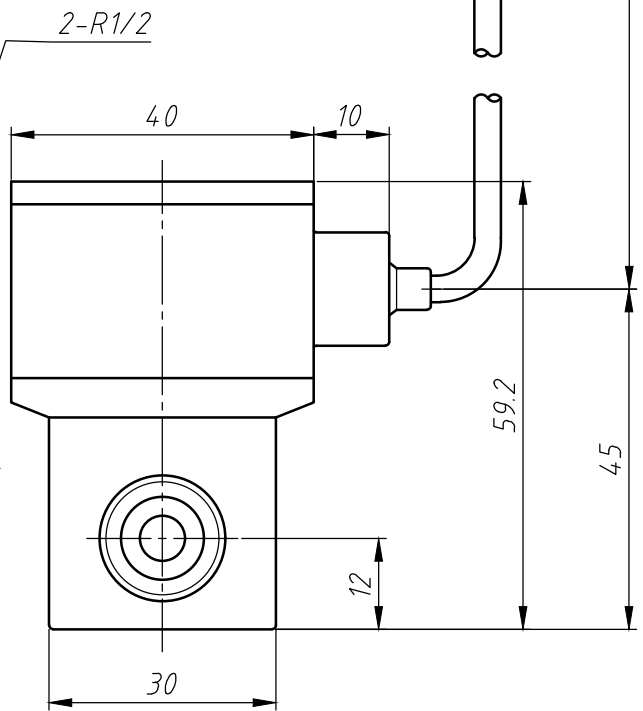
SCALE	1 : 1	PROJECTION	
Rev.			
KOFLOC Corp.			
DESIGNED	DRAWN	CHECKED	APPROVED
----	Yonamine		
DATE	07 / Jan / 2020		

NOTE:
 Tolerances for unspecified outside dimensions: ±0.8
 Tolerances for other unspecified dimensions: ±0.4

DWG. No.	MR400009A1
TITLE	Small Karman Vortex Flow Meter for Liquids MODEL FM0102(With indicator)



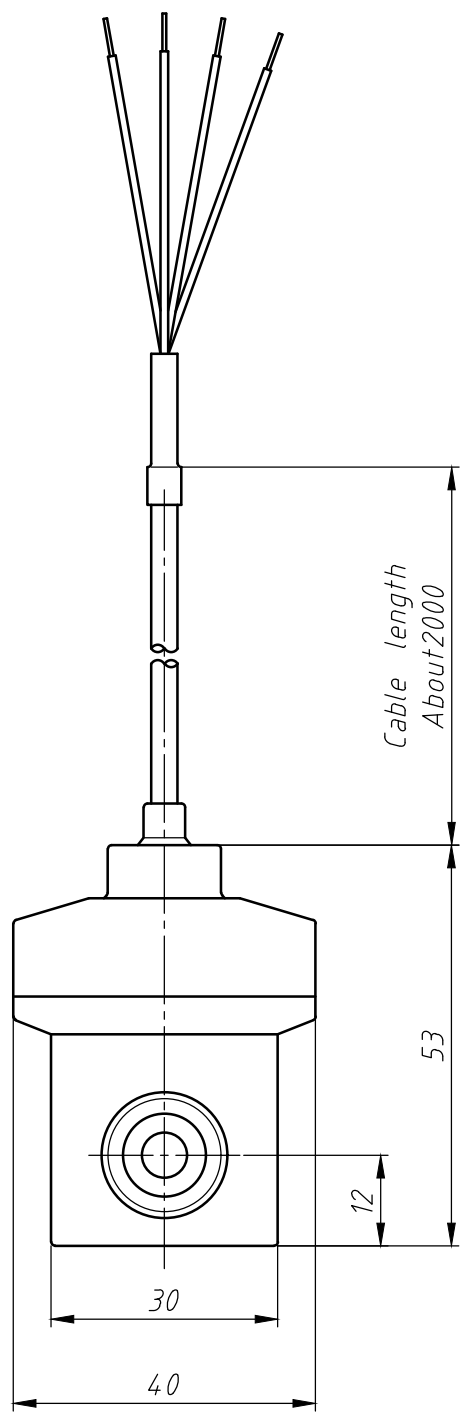
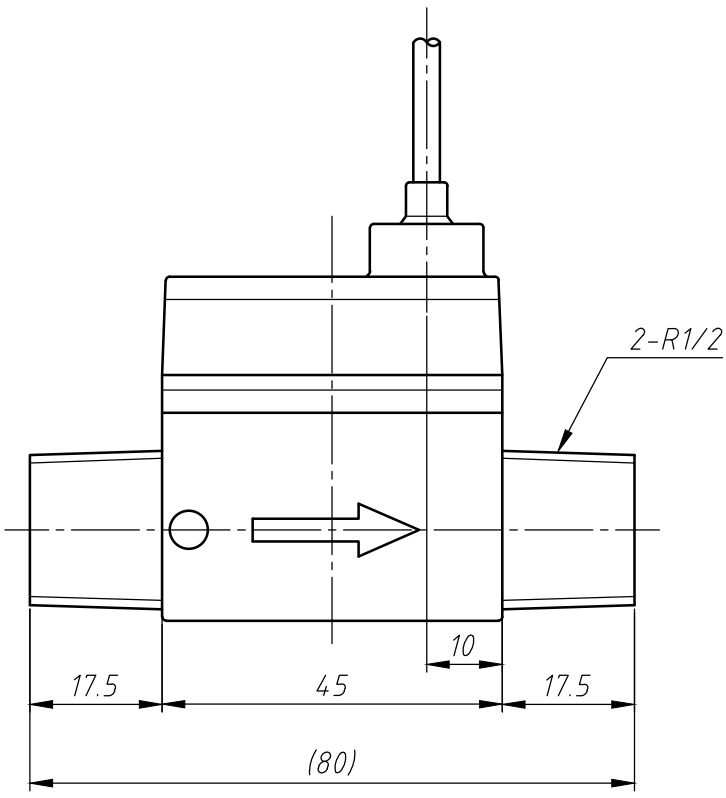
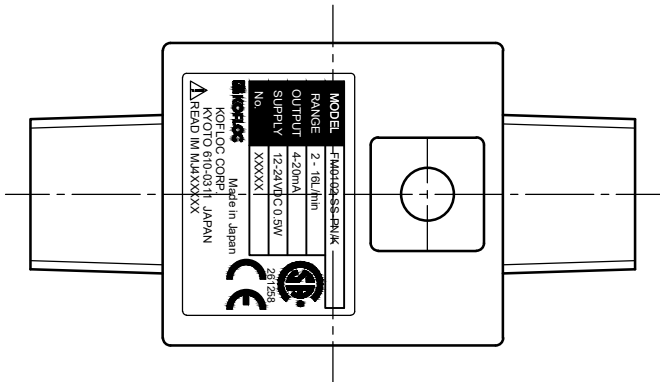
MODEL FM0102-SD-PNK
 RANGE 2 - 16L/min
 OUTPUT 4-20mA
 SUPPLY 12-24VDC 0.5W
 No. XXXXX
KOFLOC Made in Japan
 KOFLOC CORP.
 KYOTO 610-0311 JAPAN
 READ IM MJ4XXXX



SCALE	1 : 1	PROJECTION	
Rev.			
KOFLOC Corp.			
DESIGNED	DRAWN	CHECKED	APPROVED
----	Yonamine		
DATE	07 / Jan / 2020		

NOTE:
 Tolerances for unspecified outside dimensions: ± 0.8
 Tolerances for other unspecified dimensions: ± 0.4

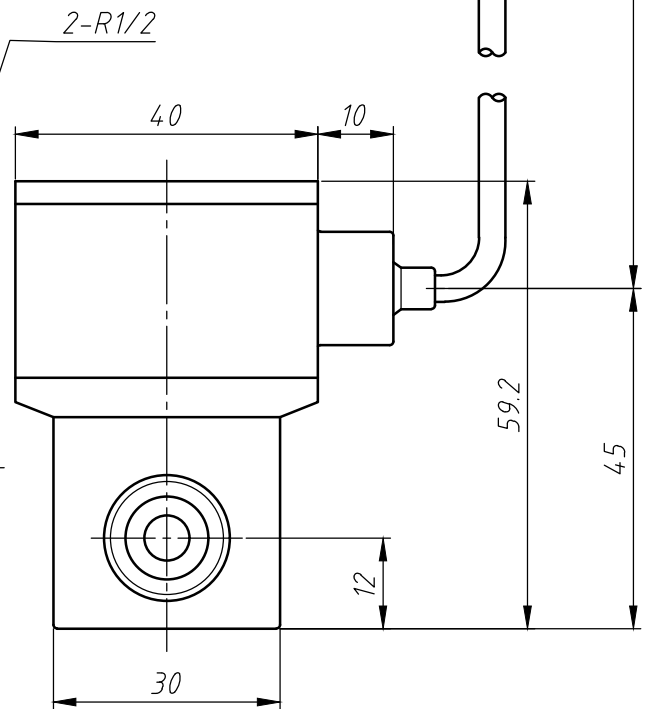
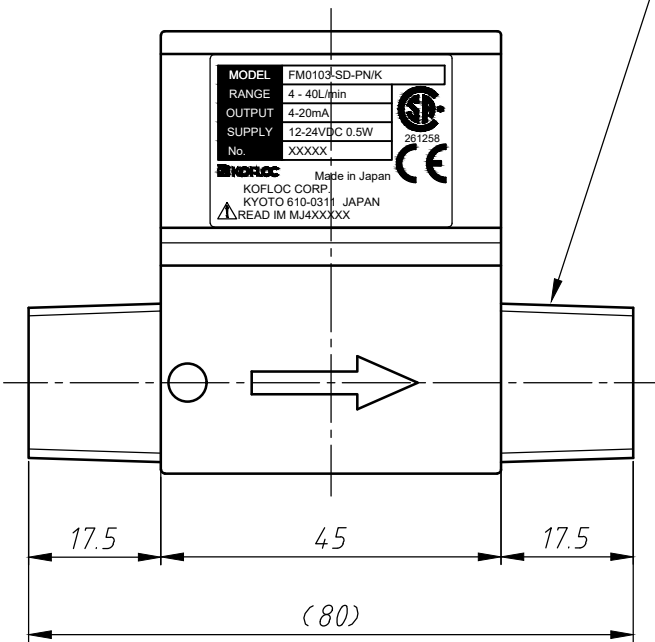
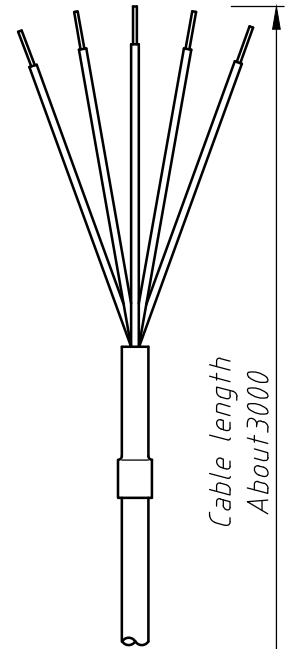
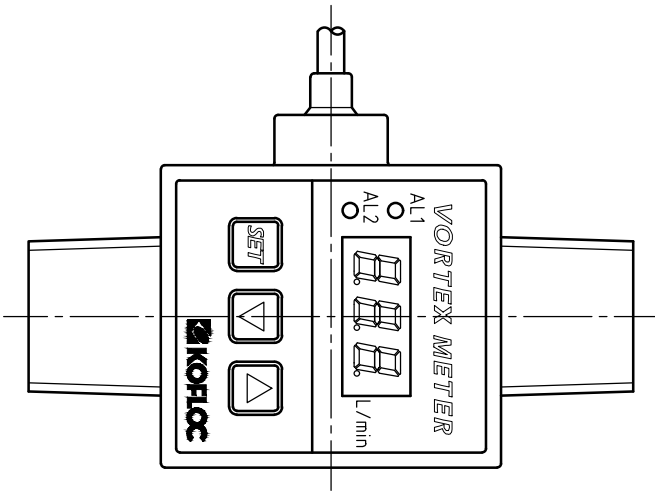
DWG. No.	MR4-00010A1
TITLE	Small Karman Vortex Flow Meter for Liquids MODEL FM0102(Without indicator)



SCALE	1 : 1	PROJECTION	
Rev.			
KOFLOC Corp.			
DESIGNED	DRAWN	CHECKED	APPROVED
----	Yonamine		
DATE	07 / Jan / 2020		

NOTE:
 Tolerances for unspecified outside dimensions: ±0.8
 Tolerances for other unspecified dimensions: ±0.4

DWG. No.	MR4-00011A1
TITLE	Small Karman Vortex Flow Meter for Liquids MODEL FM0103(With indicator)



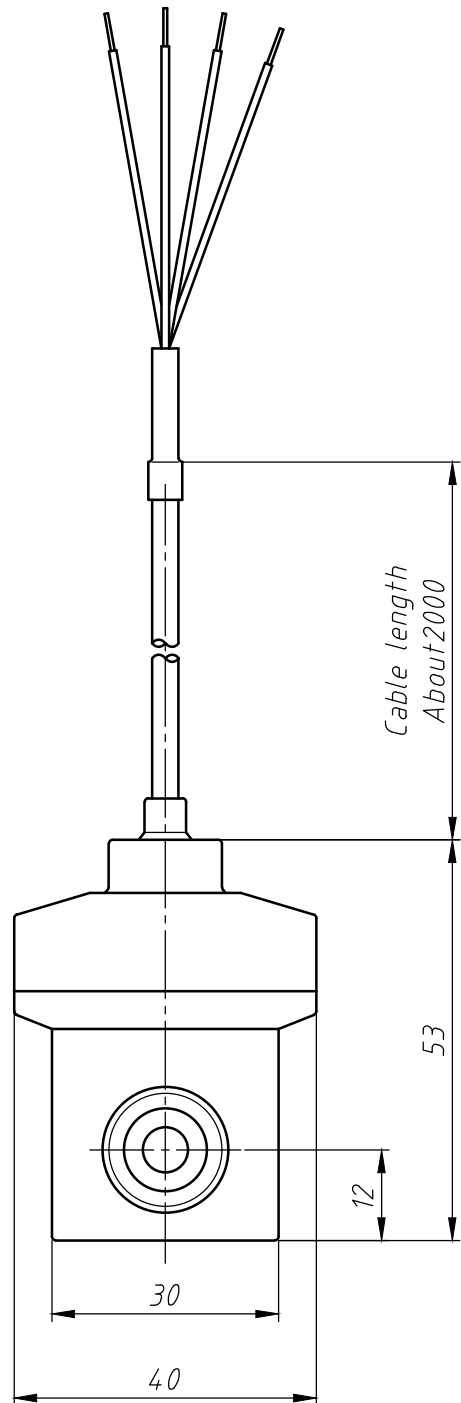
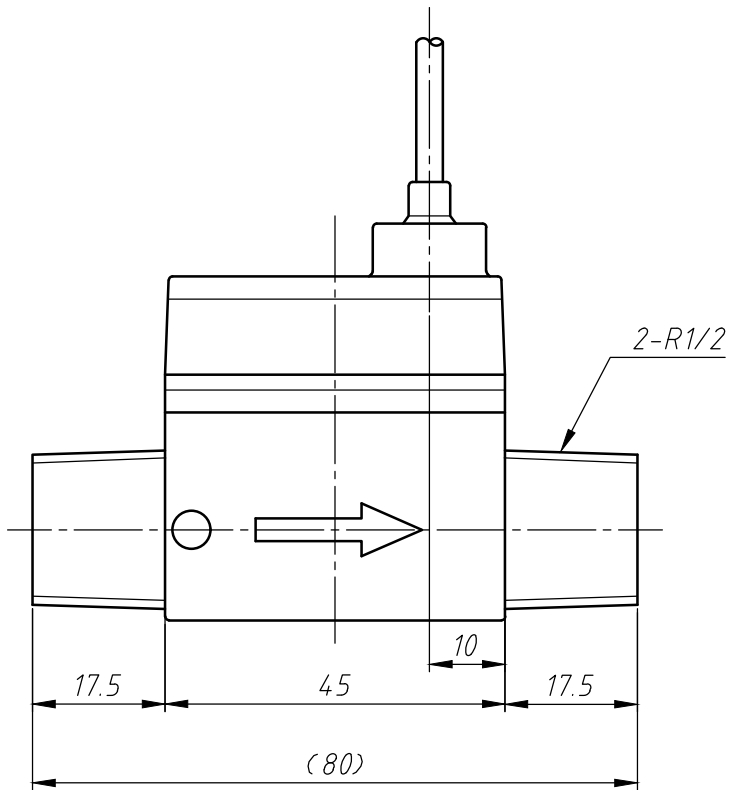
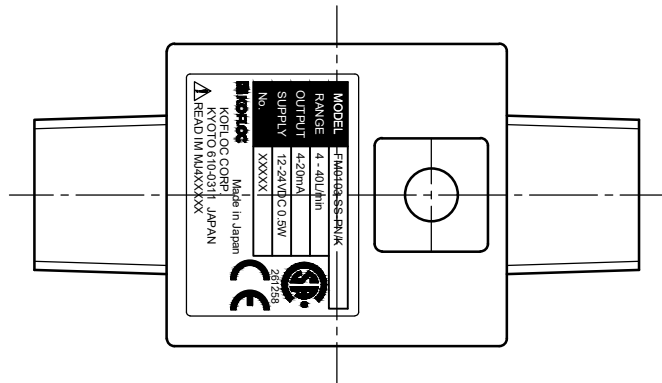
MODEL	FM0103-SD-PNK
RANGE	4 - 40L/min
OUTPUT	4-20mA
SUPPLY	12-24VDC 0.5W
No.	XXXXX

Made in Japan
 KOFLOC CORP.
 KYOTO 610-0311 JAPAN
 READ IM MJ4XXXXX

NOTE:
 Tolerances for unspecified outside dimensions: ±0.8
 Tolerances for other unspecified dimensions: ±0.4

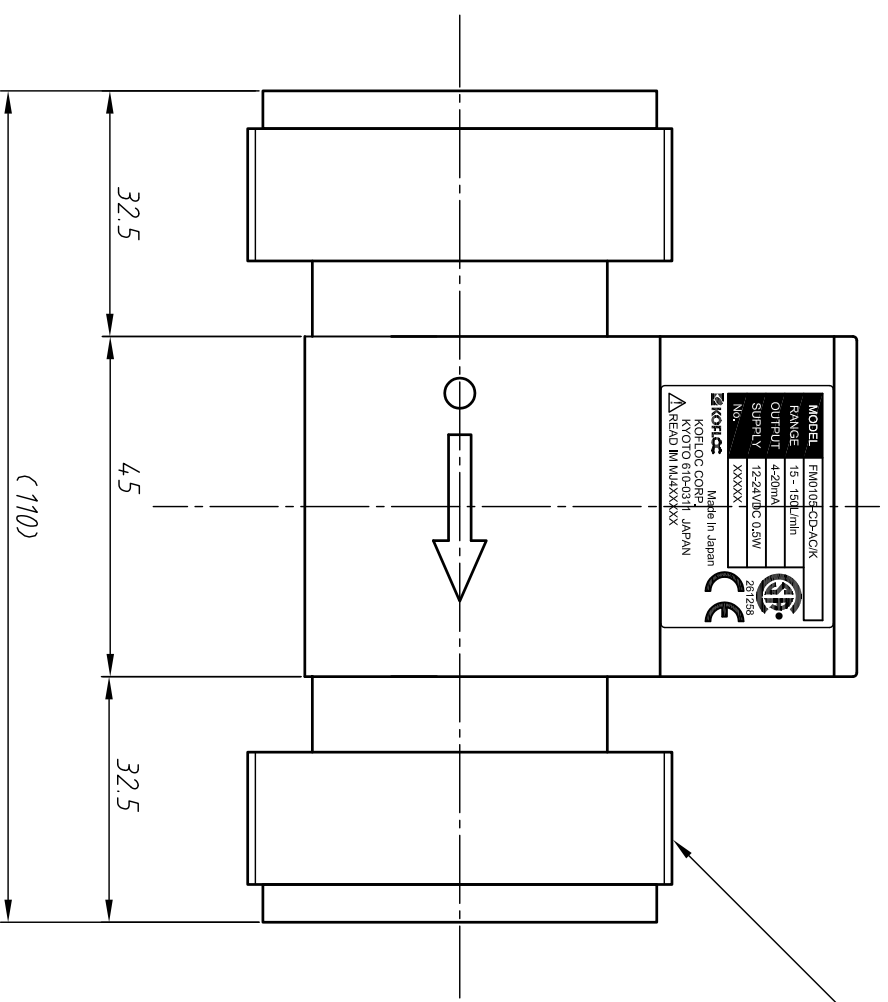
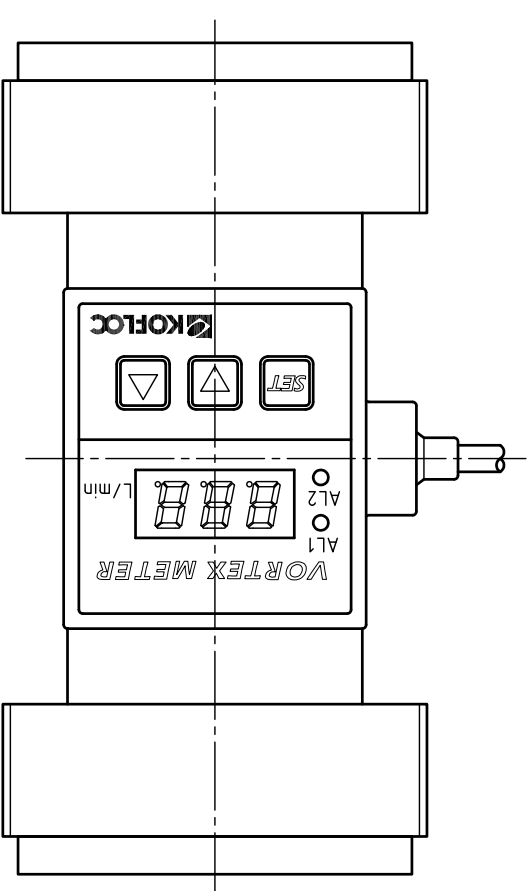
SCALE	1 : 1	PROJECTION	
Rev.			
KOFLOC Corp.			
DESIGNED	DRAWN	CHECKED	APPROVED
----	Yonamine		
DATE	07 / Jan / 2020		

DWG. No.	MR4-00012A1
TITLE	Small Karman Vortex Flow Meter for Liquids MODEL FM0103(Without indicator)

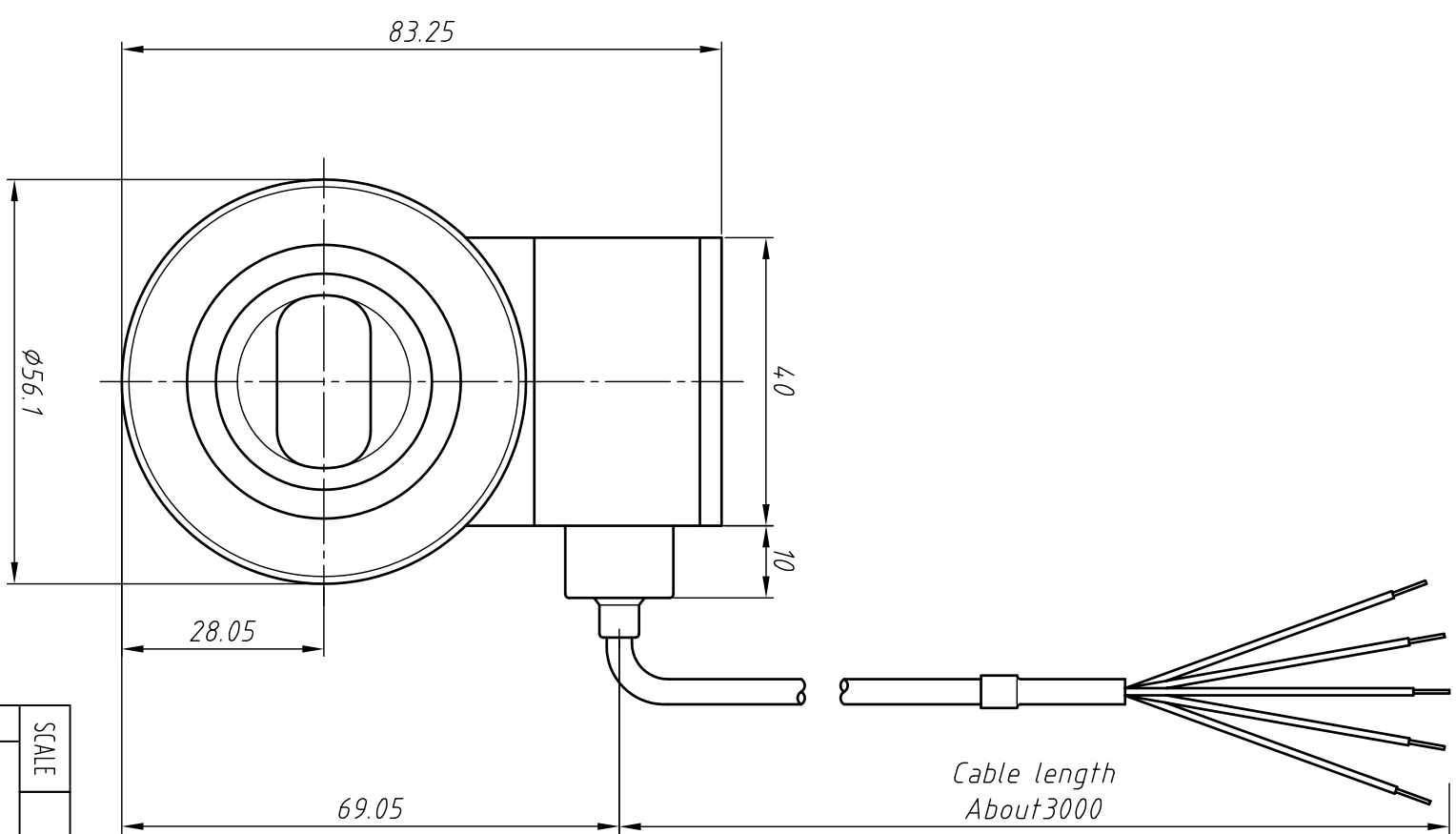


NOTE:
Tolerances for unspecified outside dimensions: ± 0.8
Tolerances for other unspecified dimensions: ± 0.4

SCALE	1 : 1	PROJECTION	
Rev.			
KOFLOC Corp.			
DESIGNED	DRAWN	CHECKED	APPROVED
----	Yonamine		
DATE	07 / Jan / 2020		



2-TT-56.1X 2.5



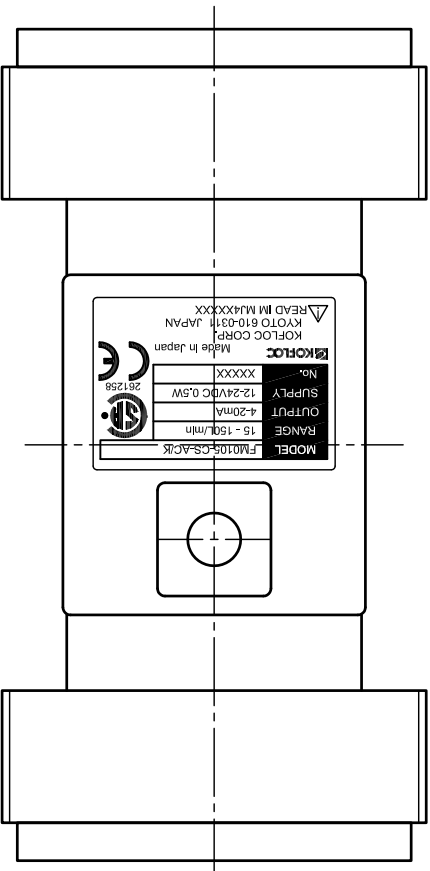
DWG. No.	MR300180A1
TITLE	Small Karman Vortex Flow Meter MODEL FM0105(With indicator)
CUSTOMER	

SCALE	1 : 1	PROJECTION	
Rev.			

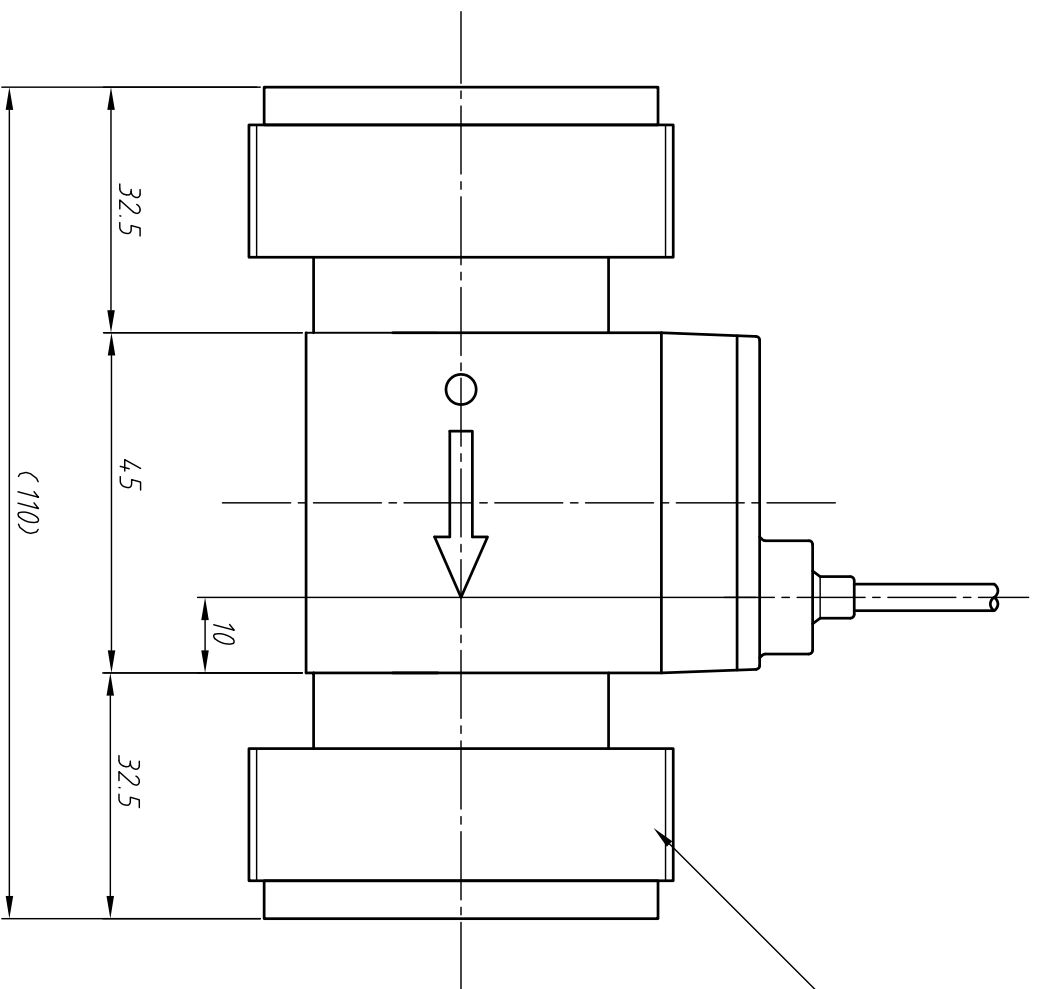
KOFLOC Corp.

DESIGNED	DRAWN	CHECKED	APPROVED
DATE	/ /	/ /	/ /

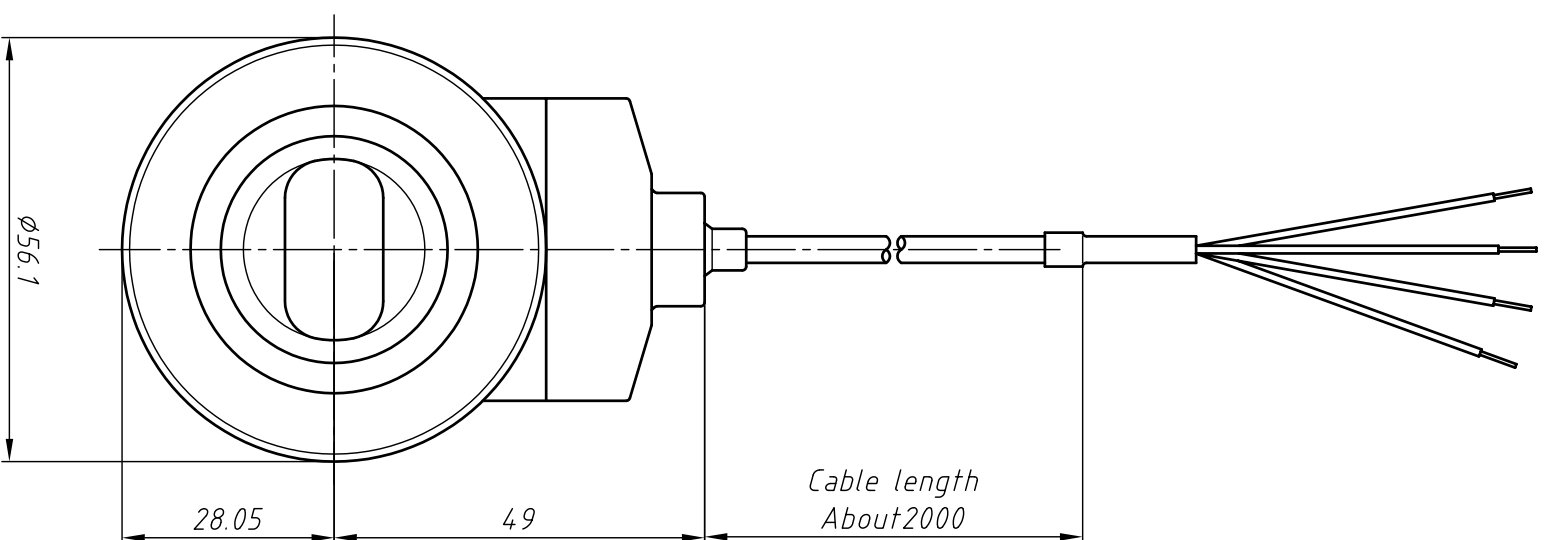
NOTE: Tolerances for unspecified outside dimensions : ±0.8
Tolerances for other unspecified dimensions : ±0.4



MODEL FM0105-SS-AC-R
 RANGE 15 - 1500mm/h
 OUTPUT 4-20mA
 SUPPLY 12-24VDC 0.5W
 No. XXXXX
 Made in Japan
 KOFLOC CORP.
 KYOTO 610-0311 JAPAN
 READ IM M4XXXXX



2-Tr56.1x2.5



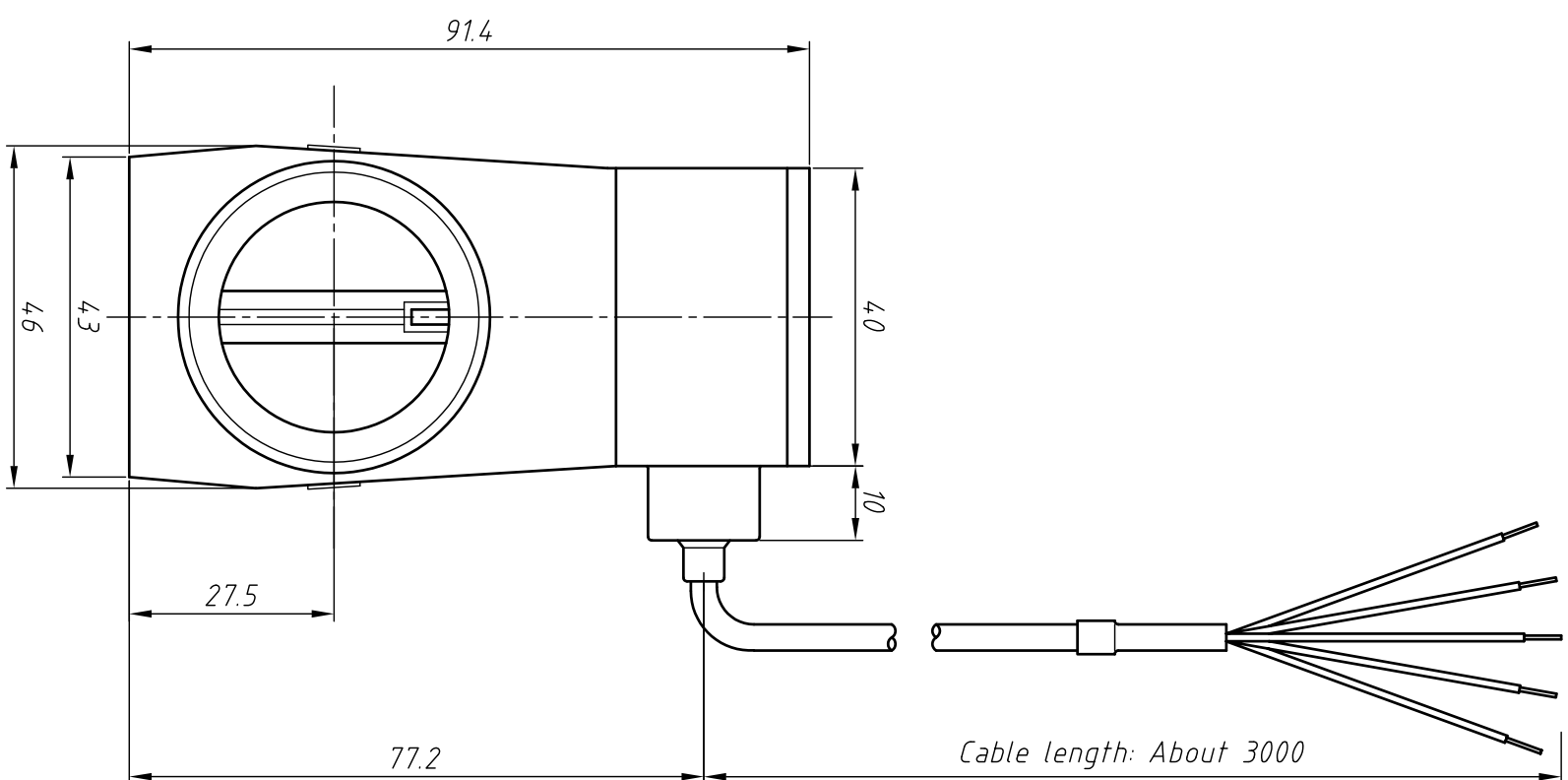
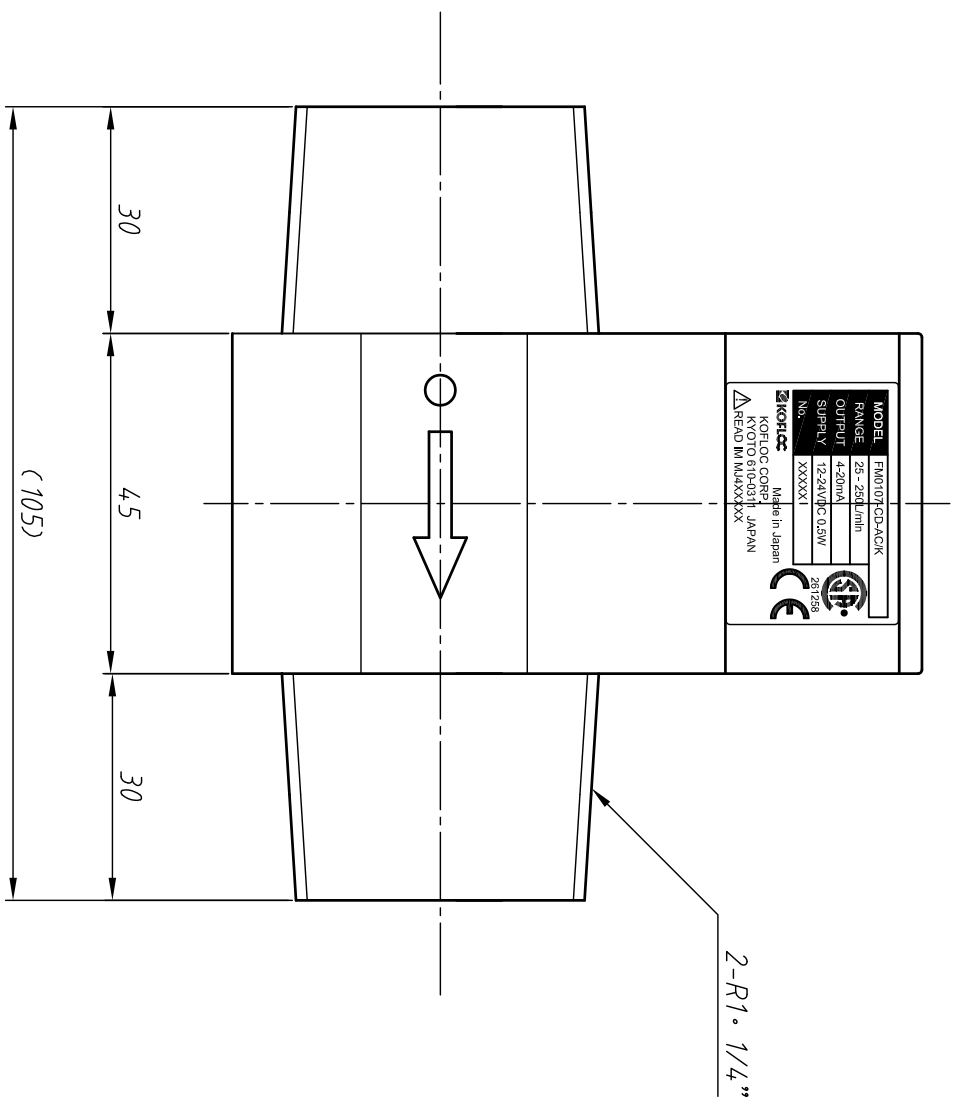
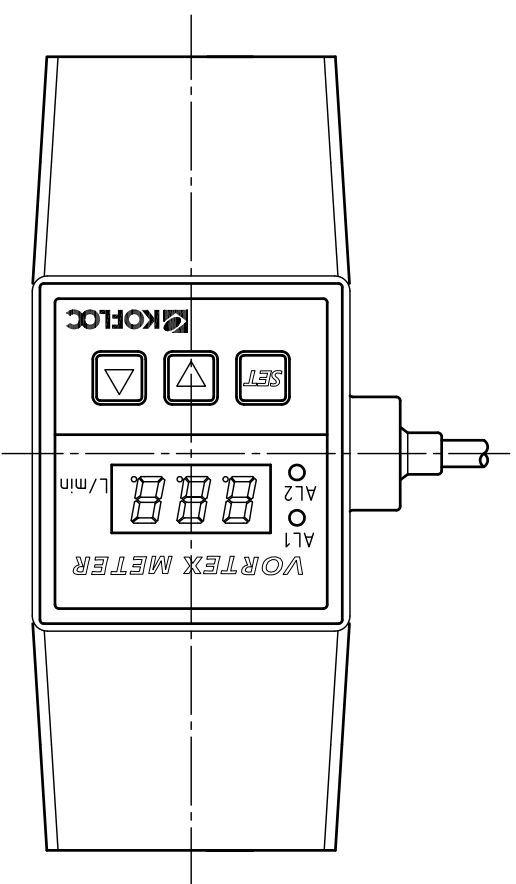
NOTE: Tolerances for unspecified outside dimensions : ±0.8
 Tolerances for other unspecified dimensions : ±0.4

DWG. No.	MR300181A1
TITLE	Small Karman Vortex Flow Meter MODEL FM0105(With/without indicator)
CUSTOMER	

SCALE	1 : 1	PROJECTION	
Rev.			

KOFLOC Corp.

DESIGNED	DRAWN	CHECKED	APPROVED
DATE	/ /	/ /	/ /



Note:
Tolerances for unspecified outside dimensions:±0.8
Tolerances for other unspecified dimensions:±0.4

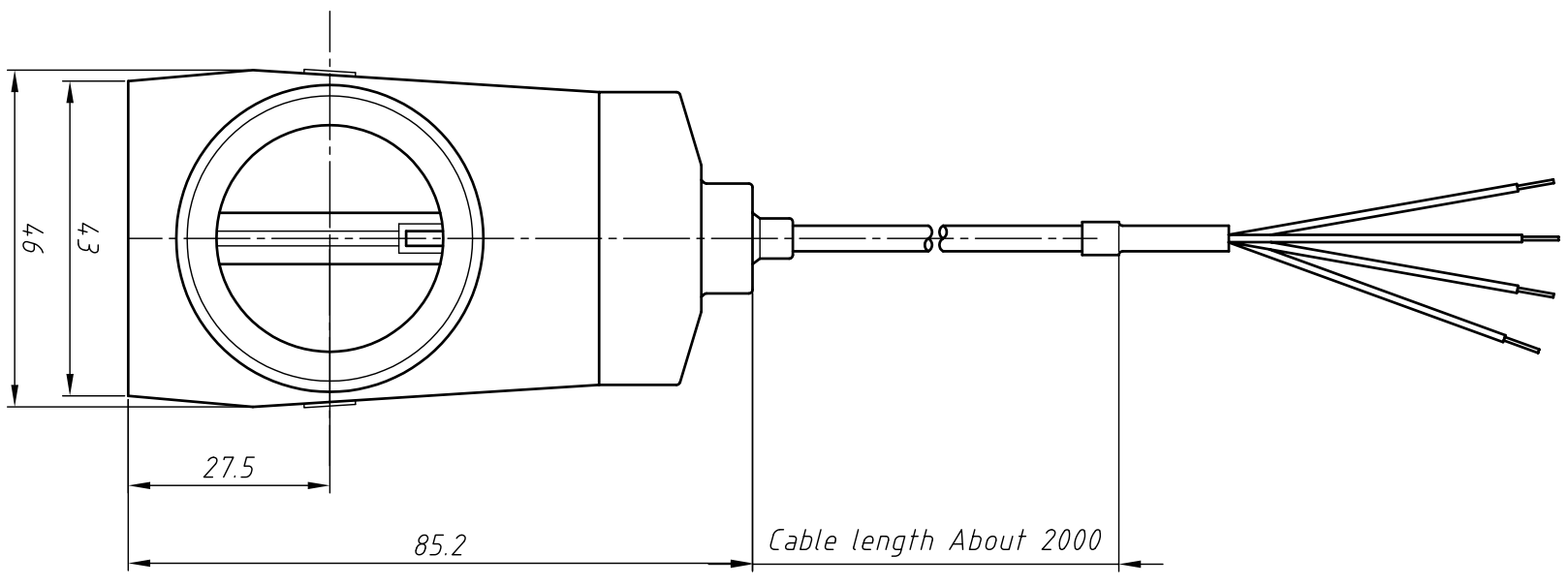
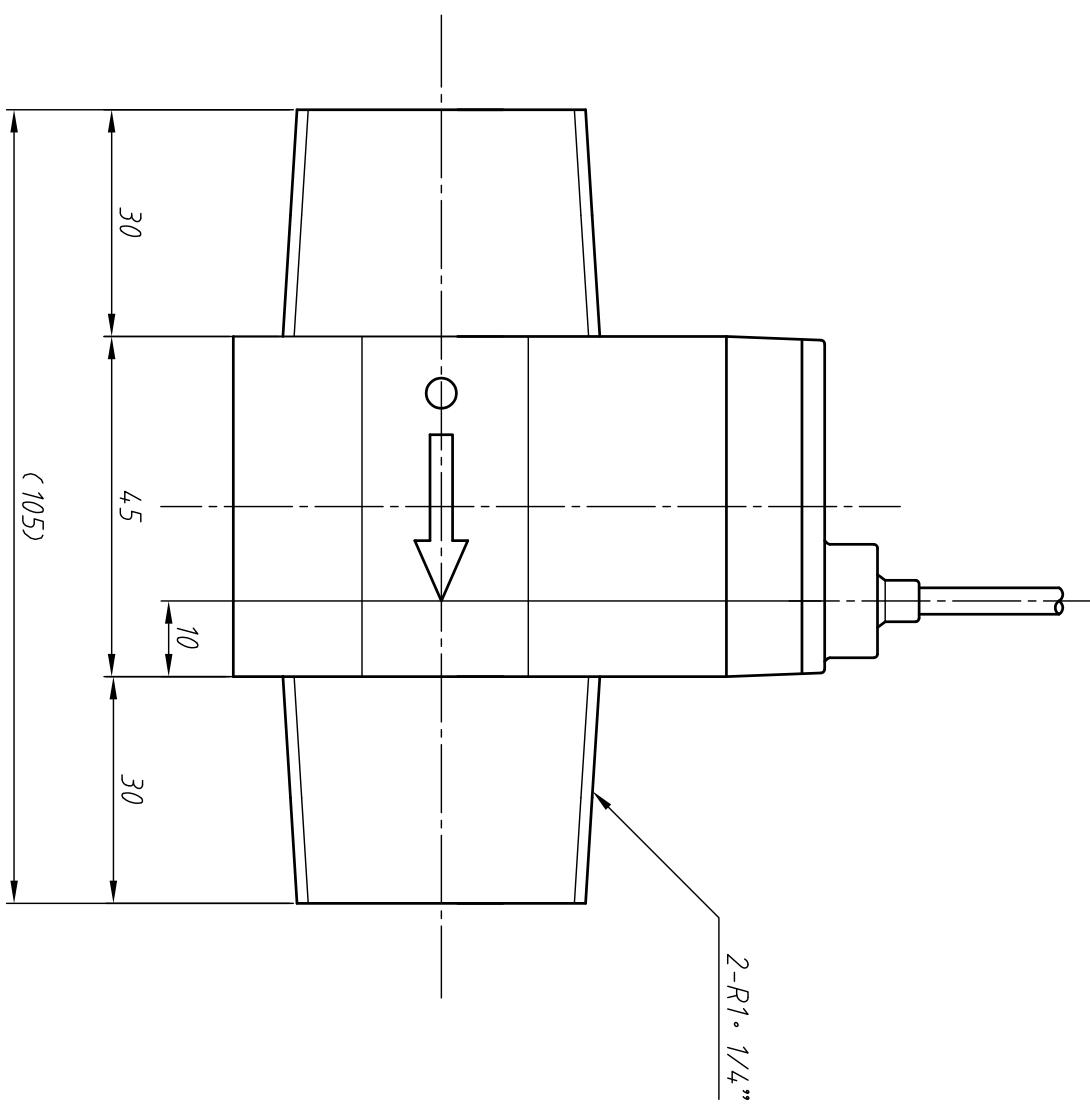
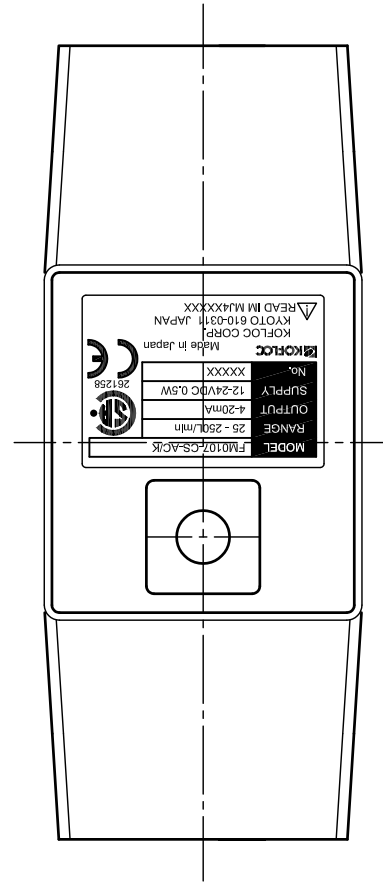
DWG. No.	MR300182A1
TITLE	Small Karman Vortex Flow Meter MODEL FM0107(With Indicator)
CUSTOMER	

SCALE	1 : 1	PROJECTION	
Rev.			

KOFLOC Corp.

DESIGNED	DRAWN	CHECKED	APPROVED
DATE	/ /	/ /	/ /

DWG. No.	MR300183A1
TITLE	Small Karman Vortex Flow Meter MODEL FM0107(With/without indicator)
CUSTOMER	



Note:
Tolerances for unspecified outside dimensions:±0.8
Tolerances for other unspecified dimensions:±0.4

Rev.				
SCALE	1 : 1	PROJECTION		
KOFLCC Corp.				
DESIGNED	DRAWN	CHECKED	APPROVED	
DATE	/ /	/ /		