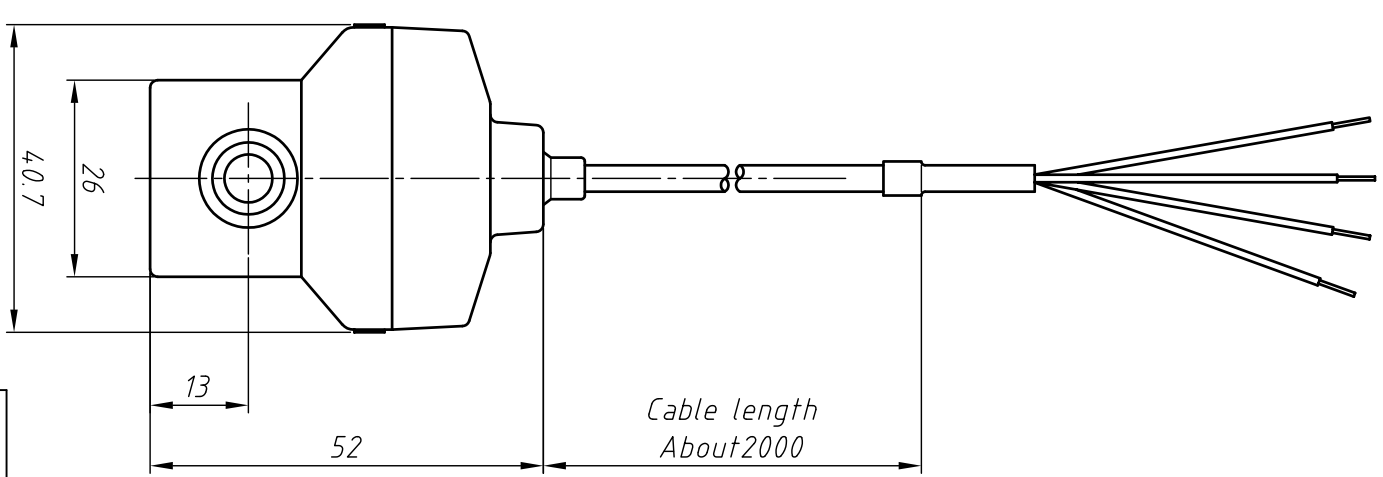
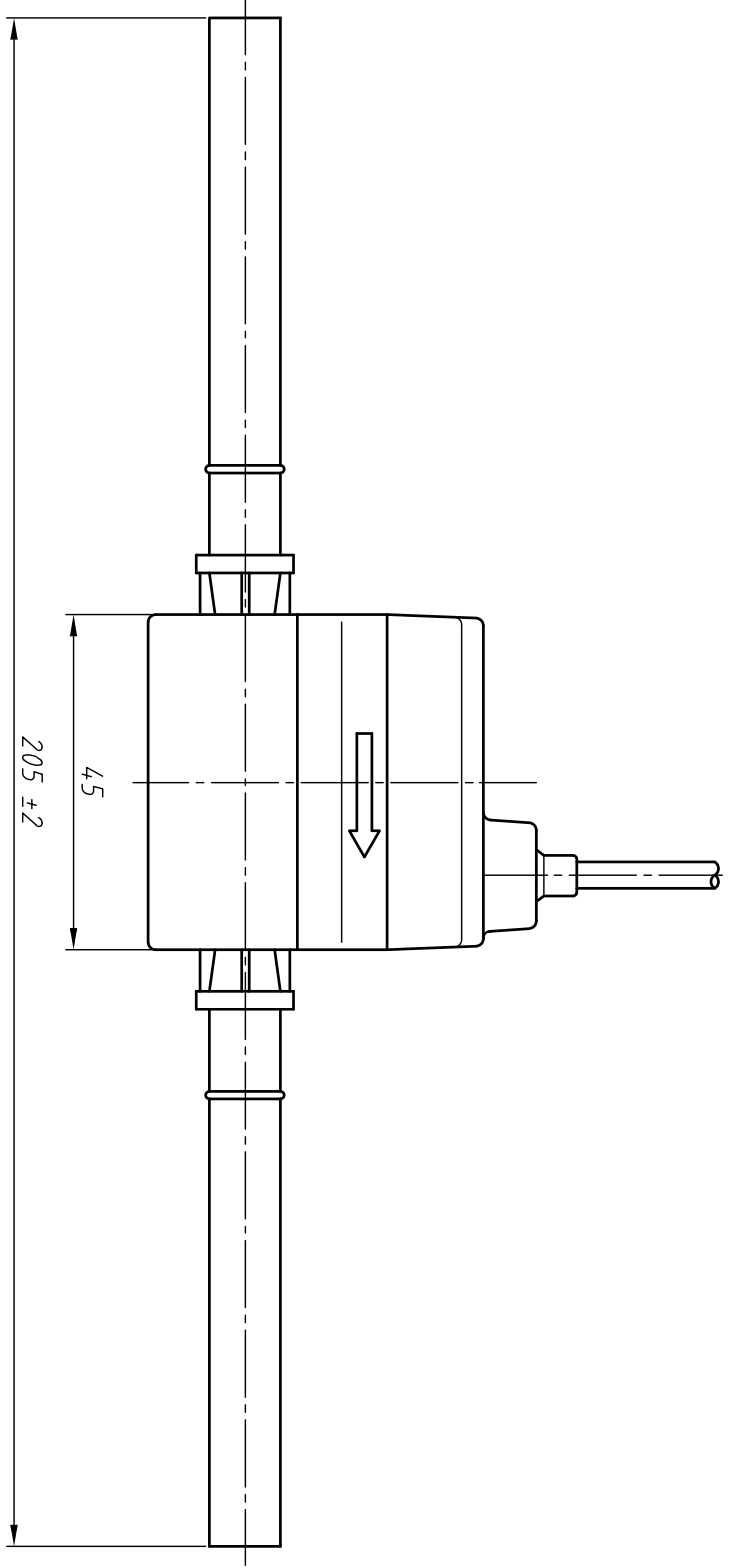
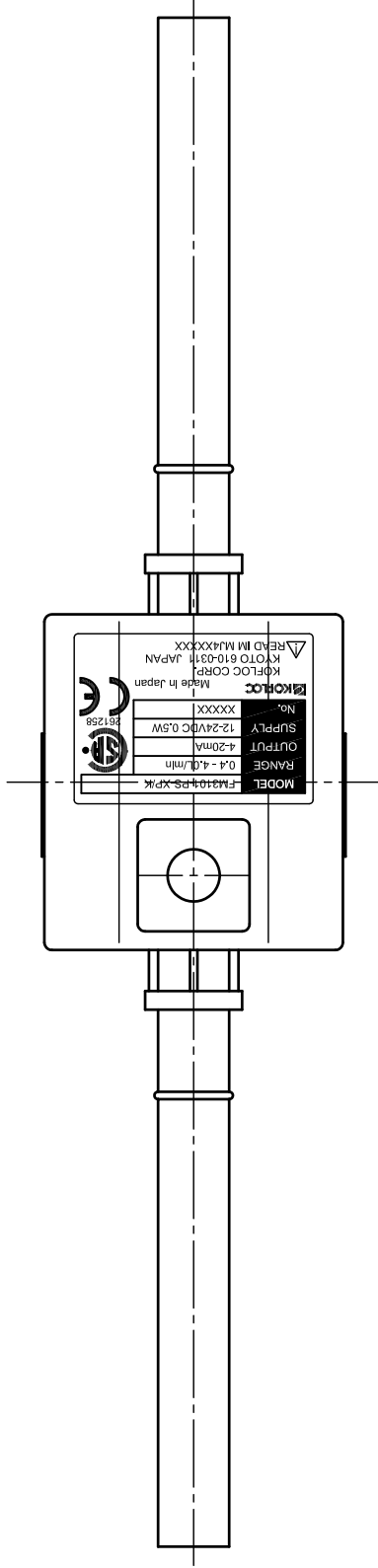




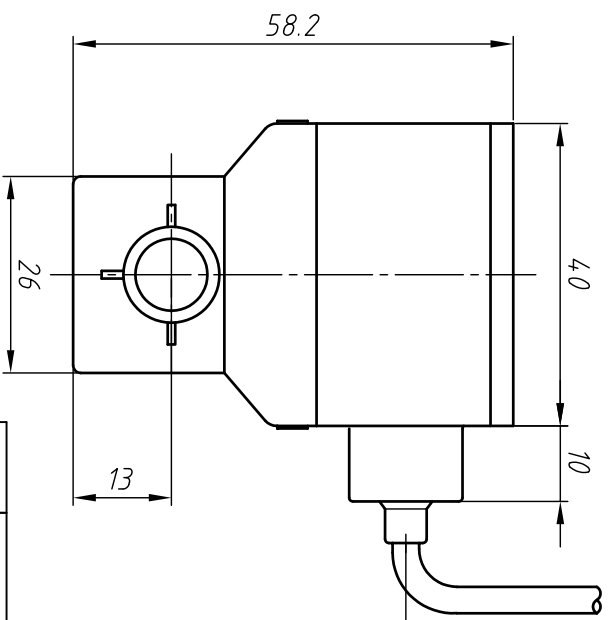
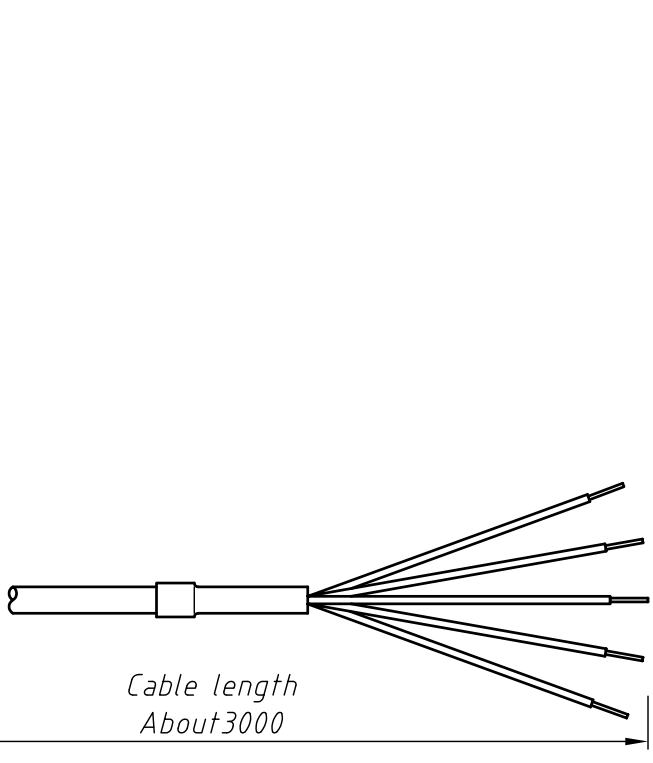
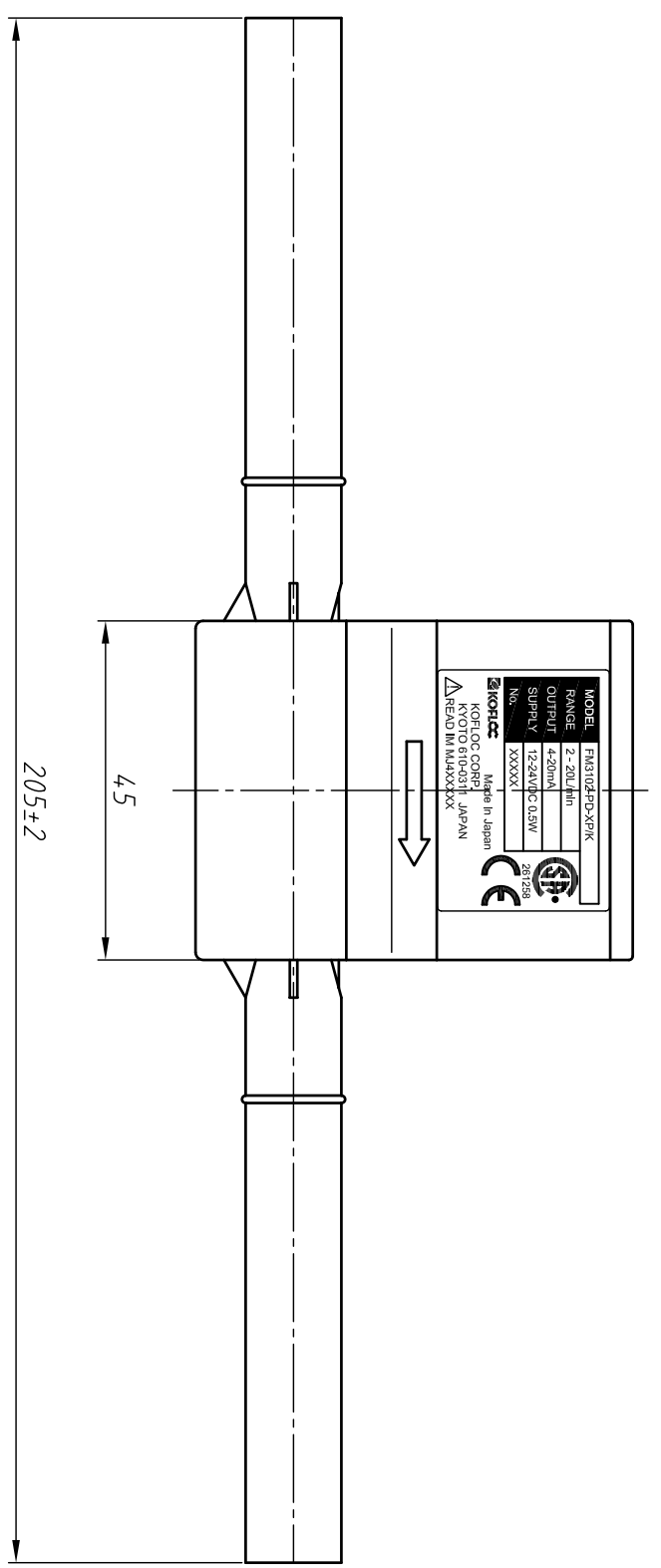
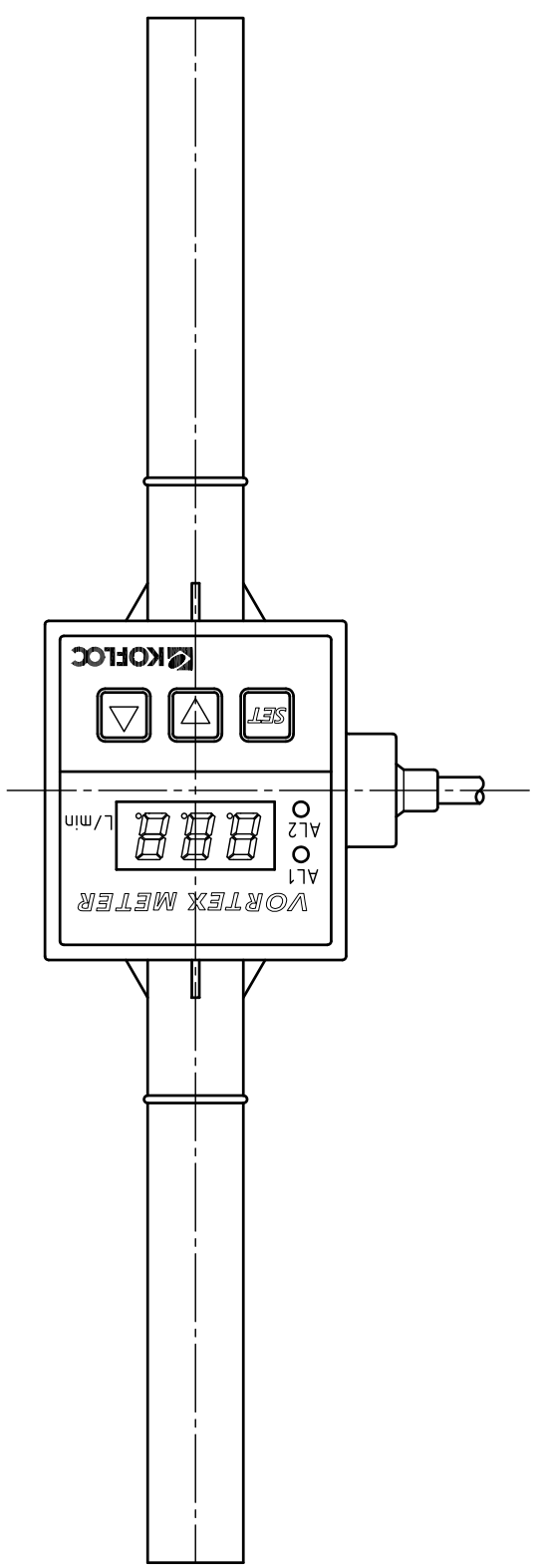
DWG. No.	MR300185A1
TITLE	Small Karman Vortex Flow Meter MODEL FM3101(Without indicator)
CUSTOMER	



NOTE: Tolerances for unspecified outside dimensions : ±0.8  
Tolerances for other unspecified dimensions : ±0.4

Rev.			
SCALE	1 : 1	PROJECTION	
<b>KOFLOC Corp.</b>			
DESIGNED	DRAWN	CHECKED	APPROVED
DATE	/ /	/ /	/ /

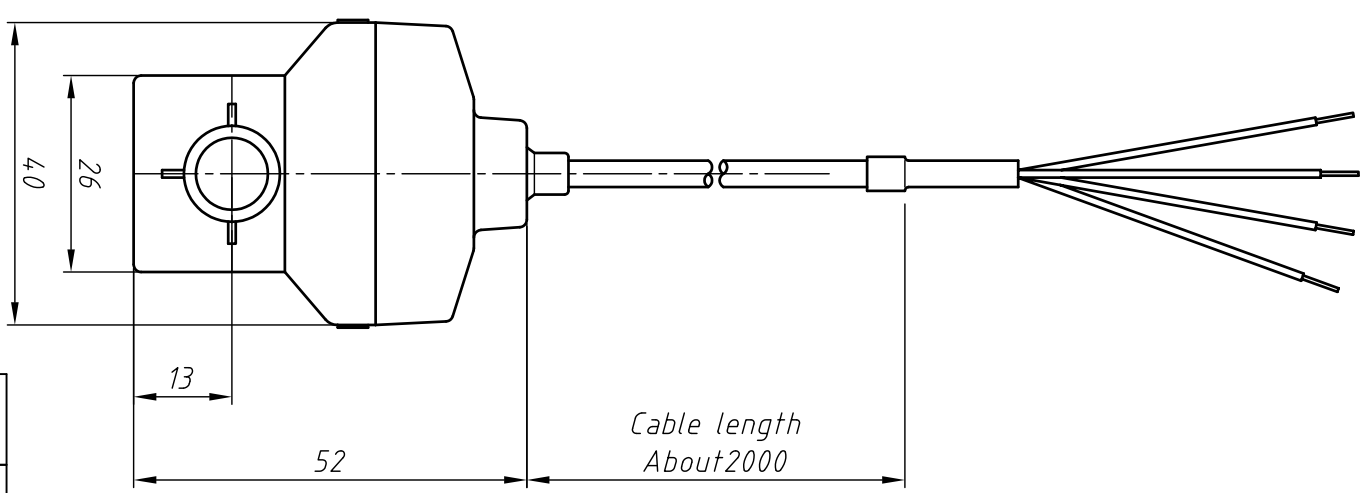
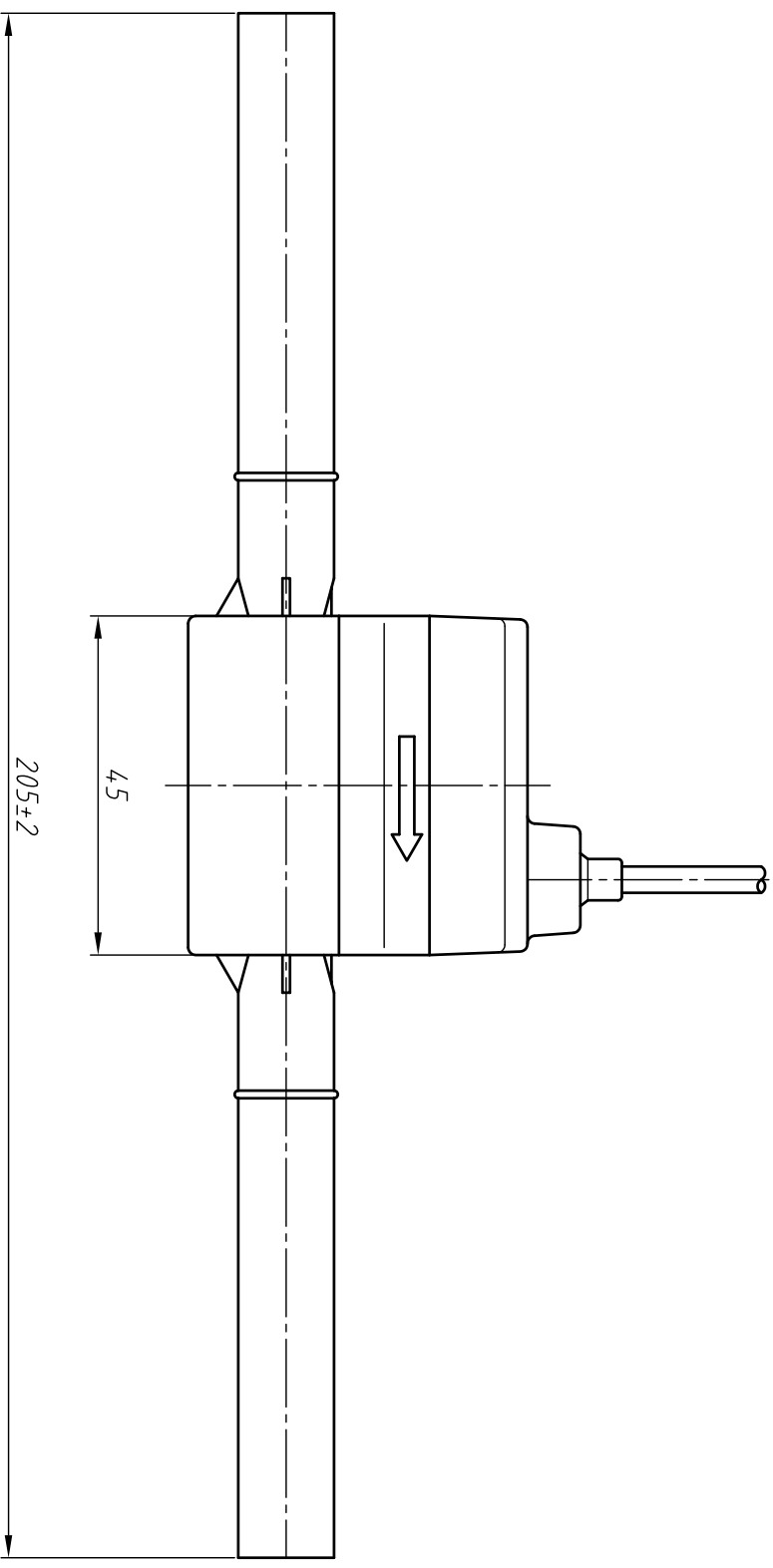
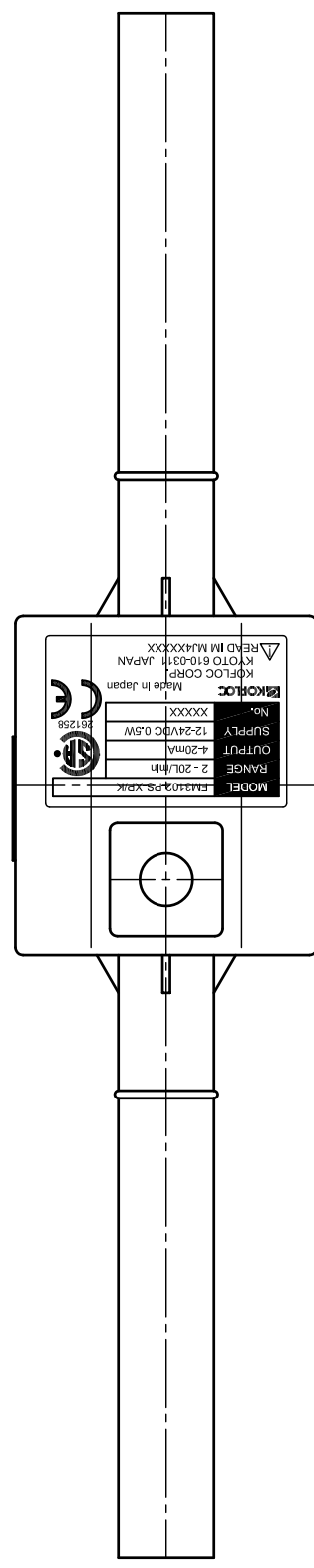
DWG. No.	MR300186A1
TITLE	Small Karman Vortex Flow Meter MODEL FM3102(With Indicator)
CUSTOMER	



NOTE: Tolerances for unspecified outside dimensions : ±0.8  
Tolerances for other unspecified dimensions : ±0.4

Rev.	
SCALE	1 : 1
PROJECTION	
<b>KOFLOC Corp.</b>	
DESIGNED	DRAWN
CHECKED	APPROVED
DATE	/ /

DWG. No.	MR300187A1
TITLE	Small Karman Vortex Flow Meter MODEL FM3102(With/without indicator)
CUSTOMER	

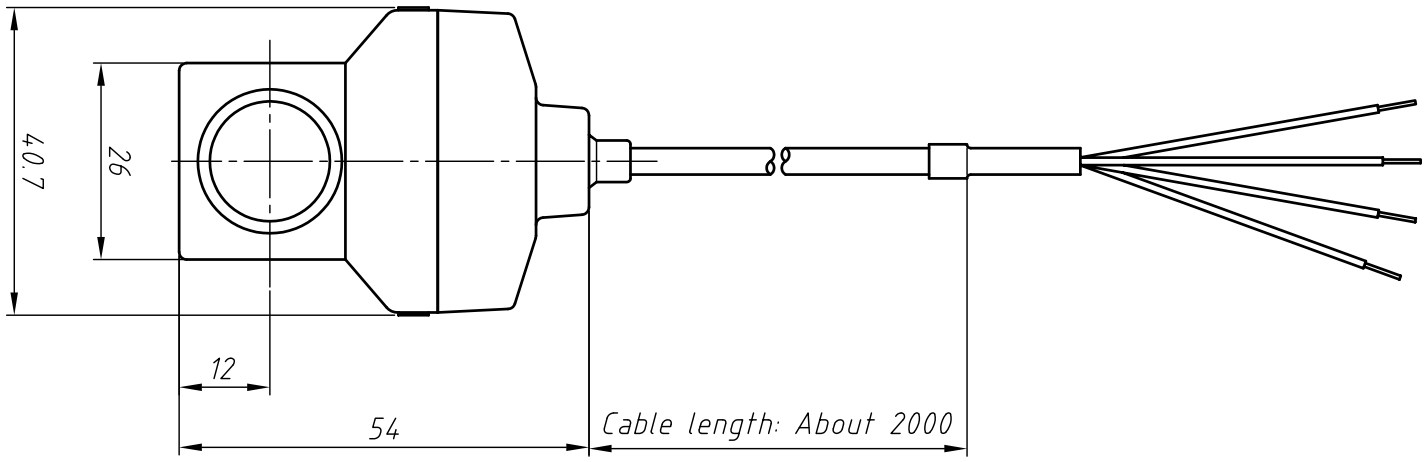
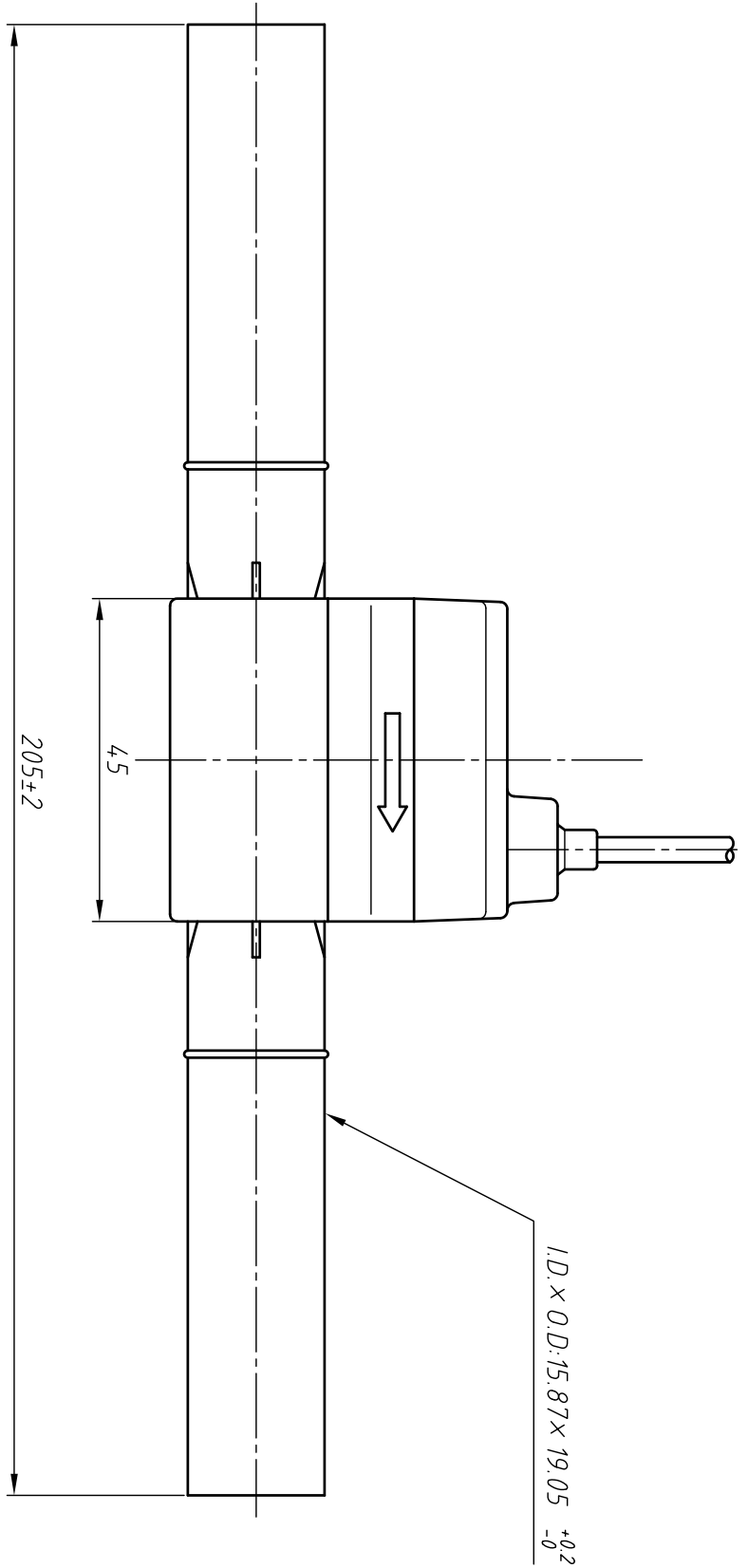
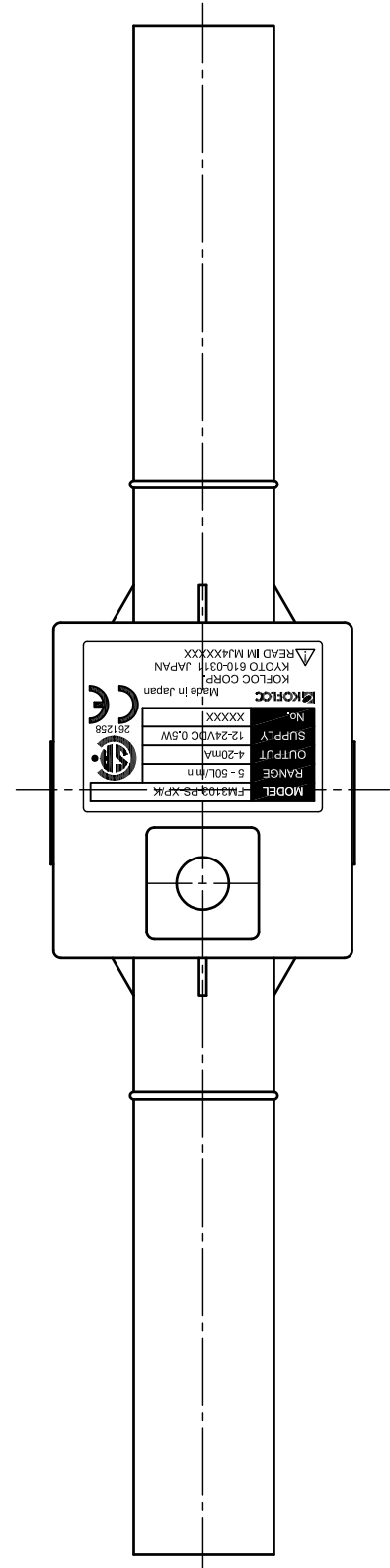


NOTE: Tolerances for unspecified outside dimensions : ±0.8  
Tolerances for other unspecified dimensions : ±0.4

Rev.			
SCALE	1 : 1	PROJECTION	
<b>KOFLOC Corp.</b>			
DESIGNED	DRAWN	CHECKED	APPROVED
DATE	/ /	/ /	/ /



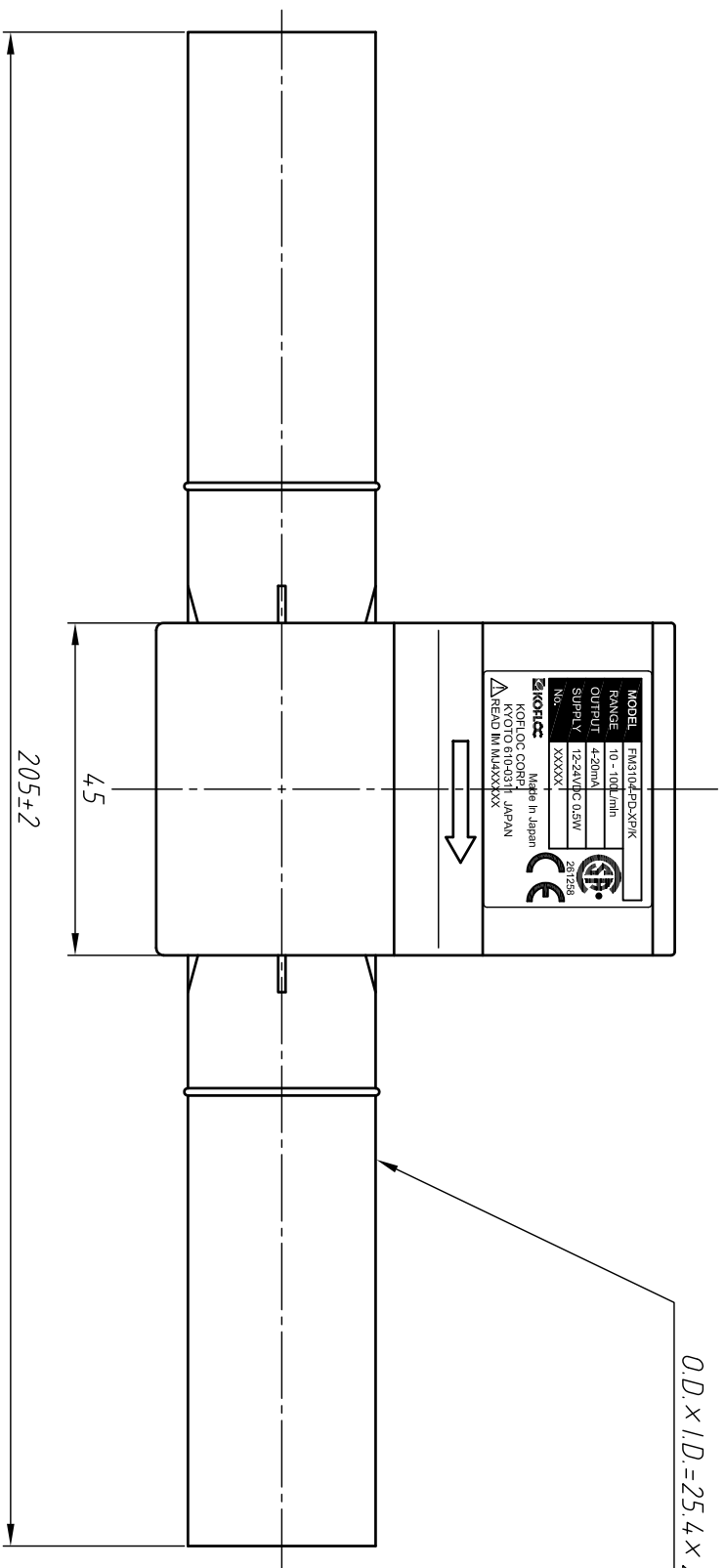
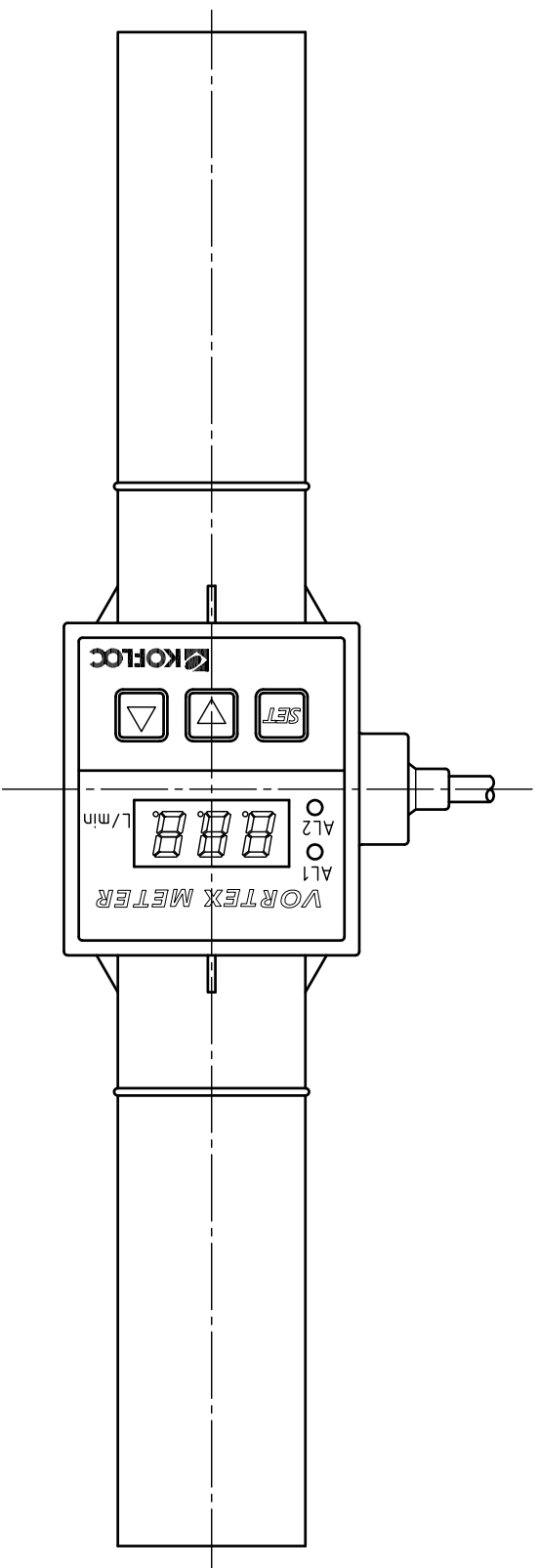
DWG. No.	MR300189A1
TITLE	Small Karman Vortex Flow Meter MODEL FM3103(Without indicator)
CUSTOMER	



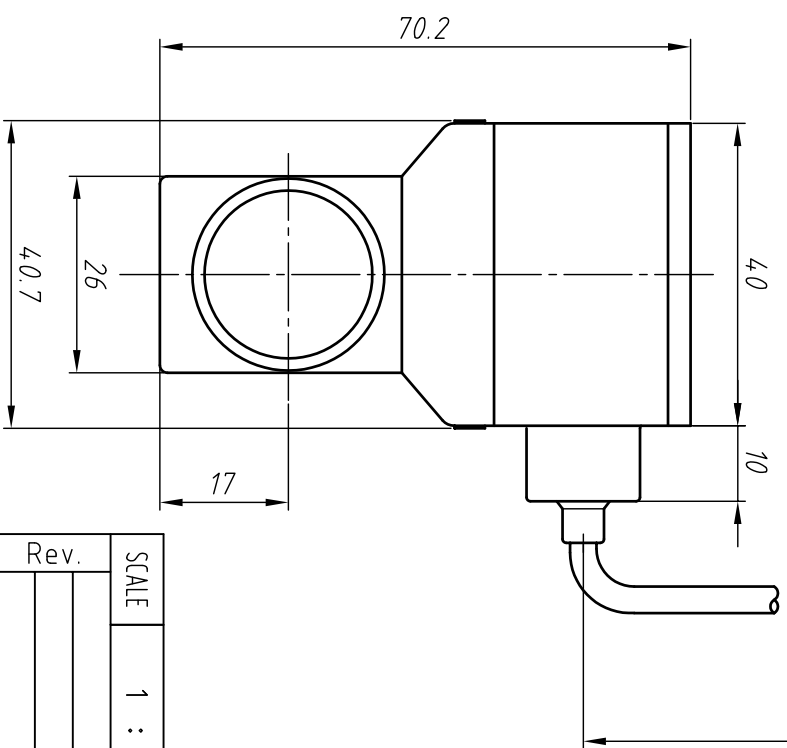
Note:  
Tolerances for unspecified outside dimensions:±0.8  
Tolerances for other unspecified dimensions:±0.4

Rev.			
SCALE	1 : 1	PROJECTION	
<b>KOFLOC Corp.</b>			
DESIGNED	DRAWN	CHECKED	APPROVED
DATE	/ /	/ /	/ /

DWG. No.	MR300190A1
TITLE	Small Karman Vortex Flow Meter MODEL FM3104 (With Indicator)
CUSTOMER	



O.D. x I.D. = 25.4 x 22.2

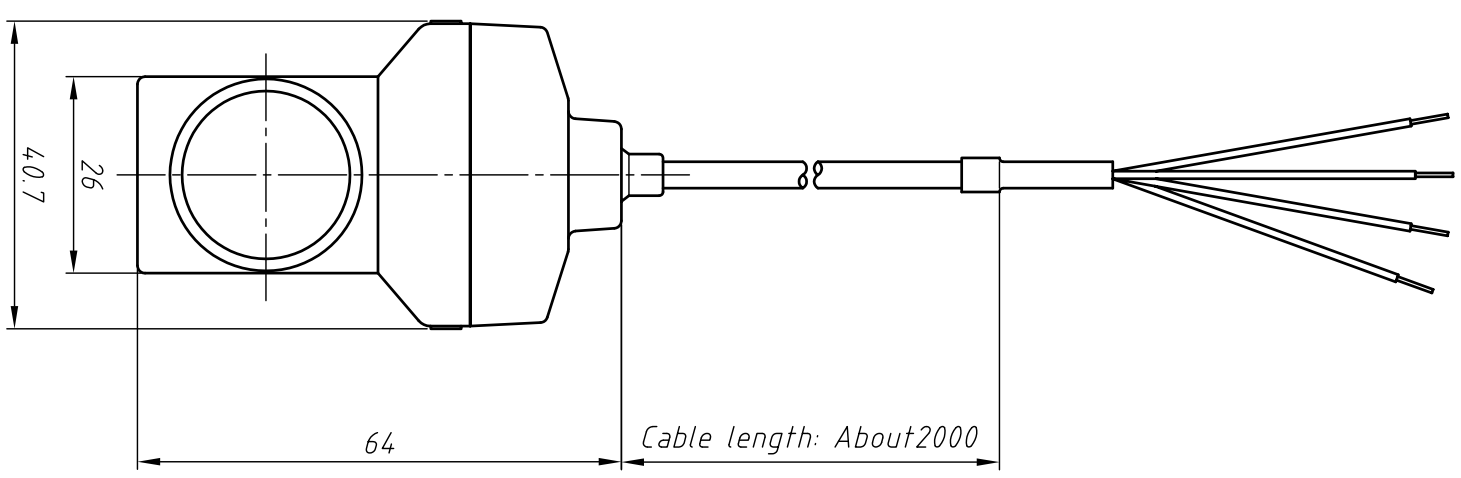
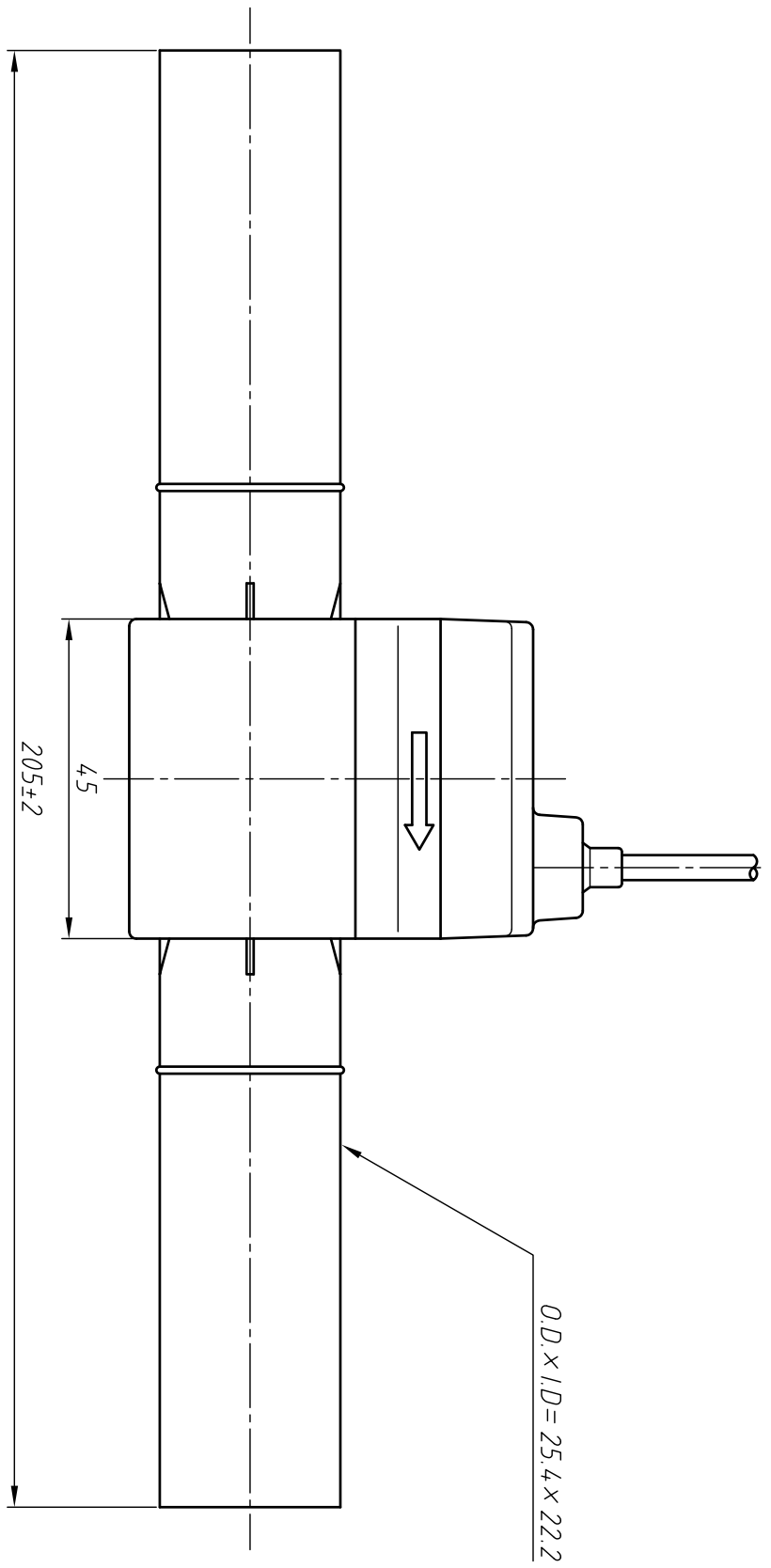
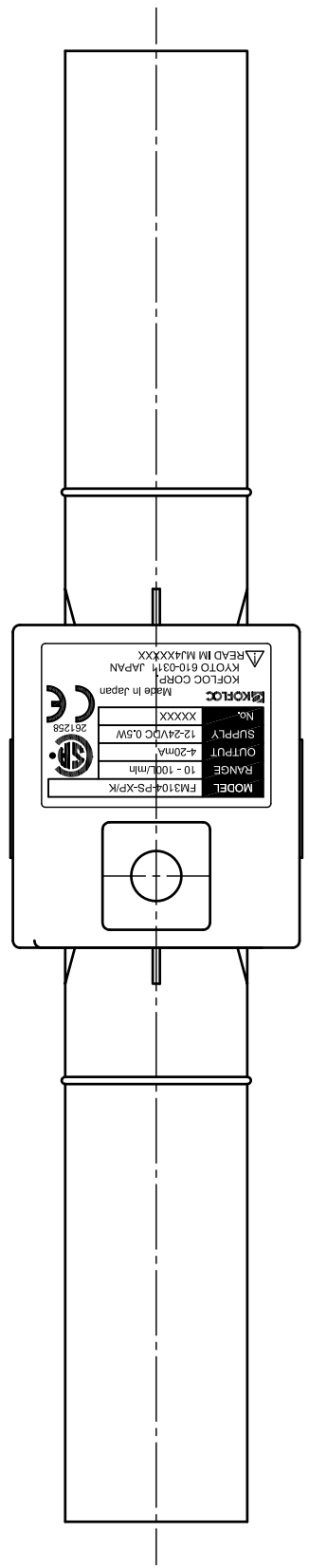


Cable length: About 3000

Note:  
Tolerances for unspecified outside dimensions: ±0.8  
Tolerances for other unspecified dimensions: ±0.4

Rev.				
SCALE	1 : 1	PROJECTION		
<b>KOFLOC Corp.</b>				
DESIGNED	DRAWN	CHECKED	APPROVED	
DATE	/ /	/ /		

DWG. No.	MR300191A1
TITLE	Small Karman Vortex Flow Meter MODEL FM3104 (Without indicator)
CUSTOMER	



Tolerances for unspecified outside dimensions: ±0.8  
Tolerances for other unspecified dimensions: ±0.4

Rev.				
SCALE	1 : 1	PROJECTION		
<b>KOFLOC Corp.</b>				
DESIGNED	DRAWN	CHECKED	APPROVED	
DATE	/ /	/ /		