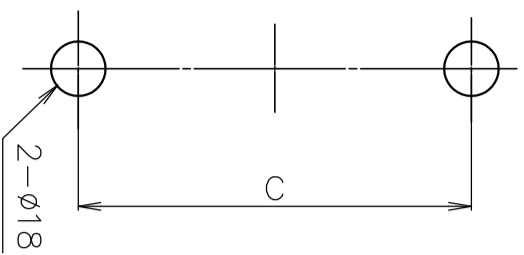


Cut Out Dimensions



Dimensions of each section by nominal size (mm)

name part	12	15	20	25
A	120	150	200	250
B	64	94	144	194
C	96	126	176	226

**CAUTION!**

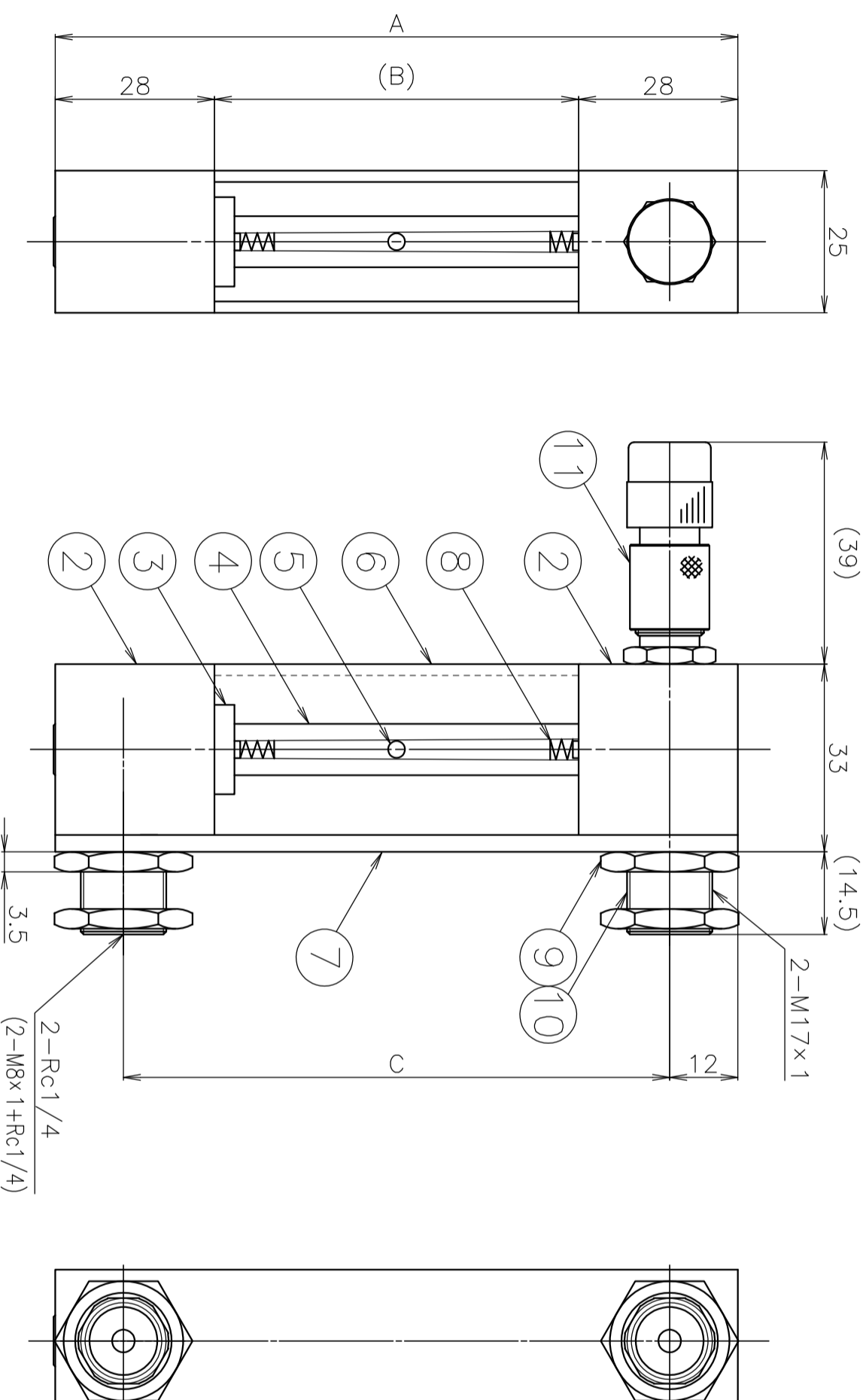
To prevent breaking glass by float, DO NOT put pressure change directly on this flowmeter in case you set electromagnetic valve, open and shut it when lay the flowmeter.

Standard Specifications

Fluids (Air conversion-dtm)	Various standard ranges from 1 to 10mL/min and 2 to 20L/min (F.S)
Flow range	Standard gases: AlR,N <sub>2</sub> ,O <sub>2</sub> ,H <sub>2</sub> ,He,Ar,CO <sub>2</sub> * Calculating calibration for other gases and consult about calibration of using gas
Accuracy	F.S.±2% (Measurement point)
Proof pressure	0.5MPa(G)
Available scale	10:1
Temperature resistance	MAX60℃
Needle valve	Precision needle valve model 2412
Connection end	Rc1/4 (Standard) φ6 hoses nipple,φ8 hoses nipple,etc. (Optional)
Fluid contact materials	Al,Brass,316 stainless steel,NBR, Hard glass,POM,(PTFE,6-6Nylon) <span style="float:right">A</span> 304 stainless steel,FKM,Hard glass, 316 stainless steel,PCTFE,(PTFE,6-6Nylon) <span style="float:right">S</span>

Dwg. No.	FR320071A1
Name	Flexible flowmeter with precision needle valve MODEL RK1100PV (Outline needle)
Customer	
MODEL:RK1100-PVU- Specifications	

Fluid: \_\_\_\_\_  
 Flow rate: \_\_\_\_\_  
 Total length: \_\_\_\_\_  
 Material: \_\_\_\_\_  
 Pressure: (inlet) (outlet)  
 Temperature: \_\_\_\_\_  
 Connection: \_\_\_\_\_  
 Float: \_\_\_\_\_  
 Remarks: \_\_\_\_\_



Dimension in mm size

11	Needle valve			1
10	IN,OUT Joint	Brass	304 stainless steel	2
9	Mounting nut	Brass		4
8	Stopper	316 Stainless steel		2
7	Back plate	A6063S-T5		1
6	Cover	Clear acrylic resin		1
5	Float	Hard glass or 316 stainless steel		1
4	Tube	Hard glass		1
3	Sticker screw	Al	304 stainless steel	1
2	Lower block	Al	304 stainless steel	1
1	Upper block	Al	304 stainless steel	1
No.	NAME	SPECIFICATION		Qt.
		A	S	NOTES

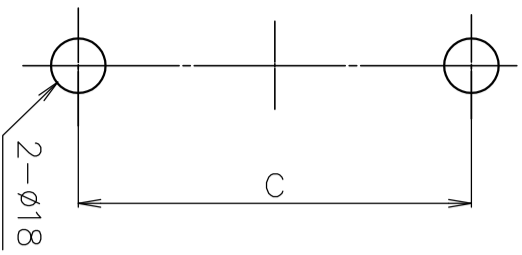
SCALE	1/1
3RD ANGLE PROJ.	R E V

**KOFLOC Corp.**

DESIGNED	DRAWN	CHECKED	APPROVED
----------	-------	---------	----------

DATE / /

Cut Out Dimensions



Dimensions of each section by nominal size (mm)

name part	12	15	20	25
A	120	150	200	250
B	64	94	144	194
C	96	126	176	226

**CAUTION!**

To prevent breaking glass by float, DO NOT put pressure change directly on this flowmeter in case you set electromagnetic valve, open and shut it when lay the flowmeter.

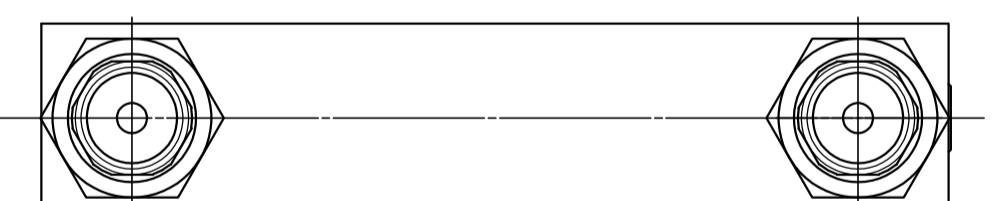
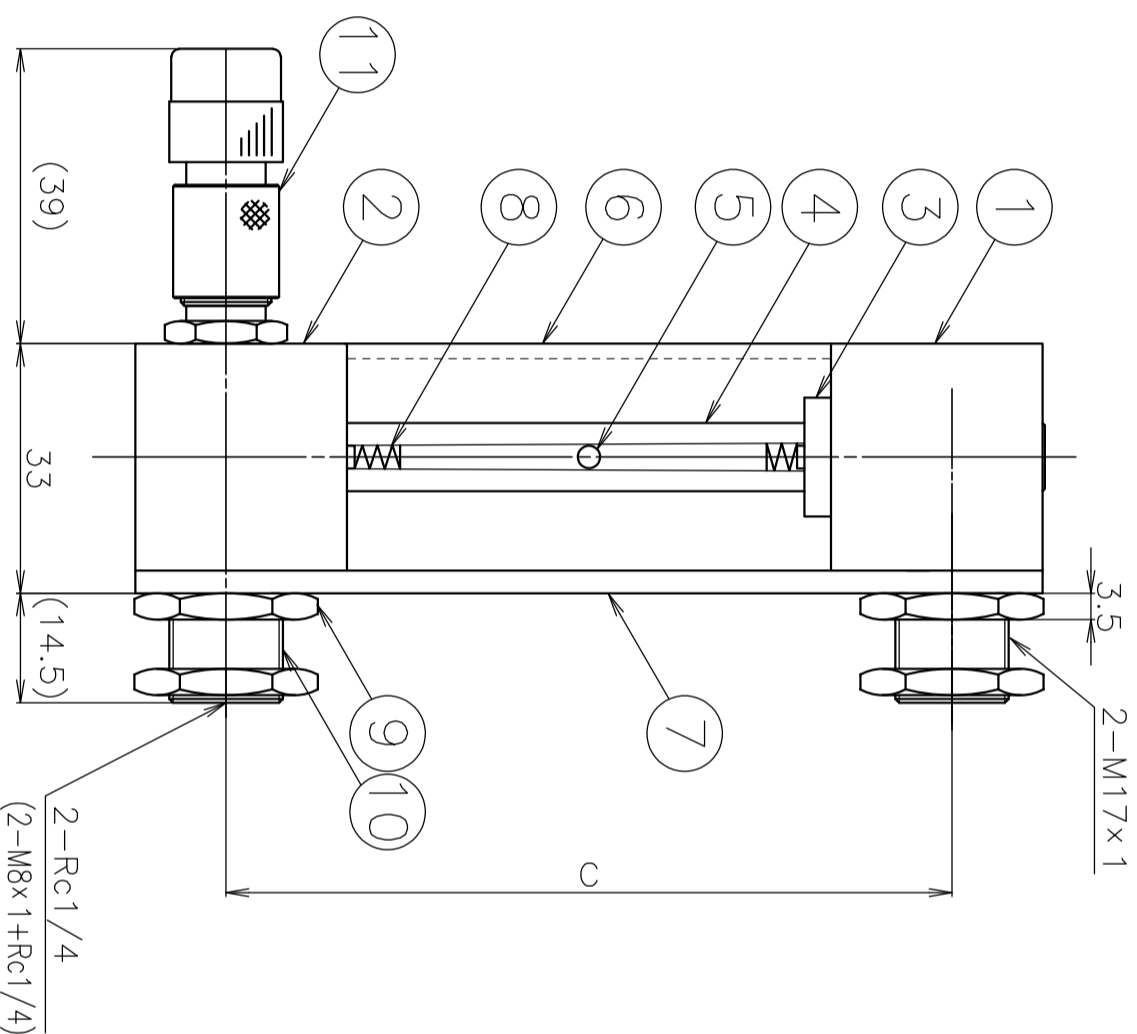
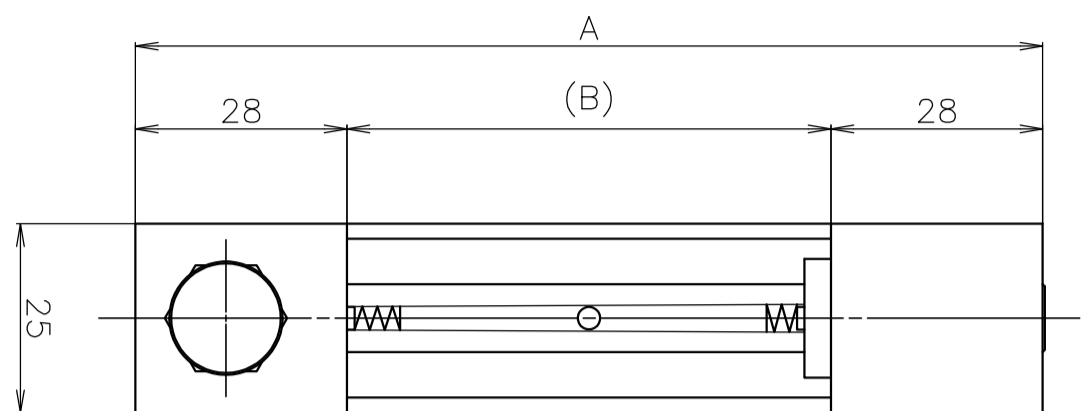
Standard Specifications

Fluids (Air conversion-dtm)	Various standard ranges from 1 to 10mL/min and 2 to 20L/min (F.S)	
Flow range	Standard gases: AlR,N <sub>2</sub> ,O <sub>2</sub> ,H <sub>2</sub> ,He,Ar,CO <sub>2</sub> * Calculating calibration for other gases and consult about calibration of using gas	
Accuracy	F.S.±2% (Measurement point)	
Proof pressure	0.5MPa(G)	
Available scale	10:1	
Temperature resistance	MAX60°C	
Needle valve	Precision needle valve model 2412	
Connection end	Rc1/4 (Standard) φ6 hoses nipple, φ8 hoses nipple, etc. (Optional)	
Fluid contact materials	A Al, Brass, 316 stainless steel, NBR, Hard glass, POM, PTFE, 6-6Nylon	S 304 stainless steel, FKW, Hard glass, 316 stainless steel, PTFE, (PTFE, 6-6Nylon)

Dwg. No.	FR320070A1
Name	Flexible flowmeter with precision needle valve MODEL RK1100PV (Inline needle)
Customer	
MODEL:RK1100-PVD- Specifications	

Fluid: \_\_\_\_\_  
 Flow rate: \_\_\_\_\_  
 Total length: \_\_\_\_\_  
 Material: \_\_\_\_\_  
 Pressure: (inlet) (outlet)  
 Temperature: \_\_\_\_\_  
 Connection: \_\_\_\_\_  
 Float: \_\_\_\_\_  
 Remarks: \_\_\_\_\_

Dimension in mm size



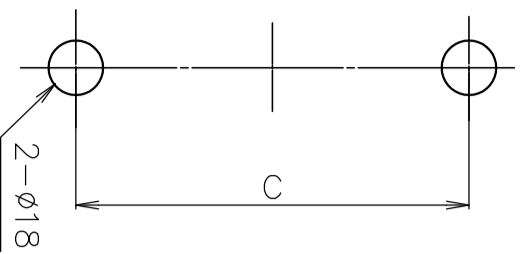
11	Needle valve			1	
10	IN,OUT Joint	Brass	304 stainless steel	2	
9	Mounting nut	Brass		4	
8	Stopper	316 Stainless steel		2	
7	Back plate	A6063S-T5		1	
6	Cover	Clear acrylic resin		1	
5	Float	Hard glass or 316 stainless steel		1	
4	Tube	Hard glass		1	
3	Sticker screw	Al	304 stainless steel	1	
2	Lower block	Al	304 stainless steel	1	
1	Upper block	Al	304 stainless steel	1	
No.	NAME	A	S	Qt.	NOTES
SCALE		1/1			
3RD ANGLE PROJ.		R E V			

**KOFLOC Corp.**

DESIGNED DRAWN CHECKED APPROVED

DATE

Cut Out Dimensions



Dimensions of each section by nominal size (mm)

name part	12	15	20	25
A	120	150	200	250
B	64	94	144	194
C	96	126	176	226

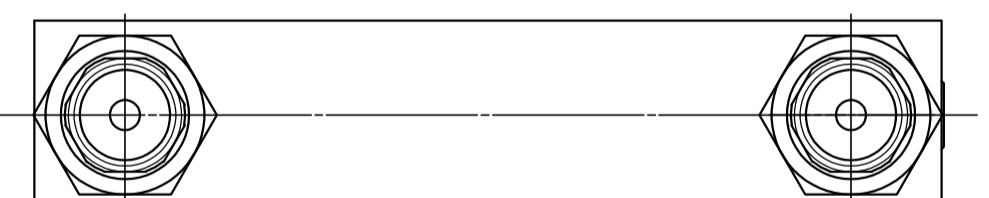
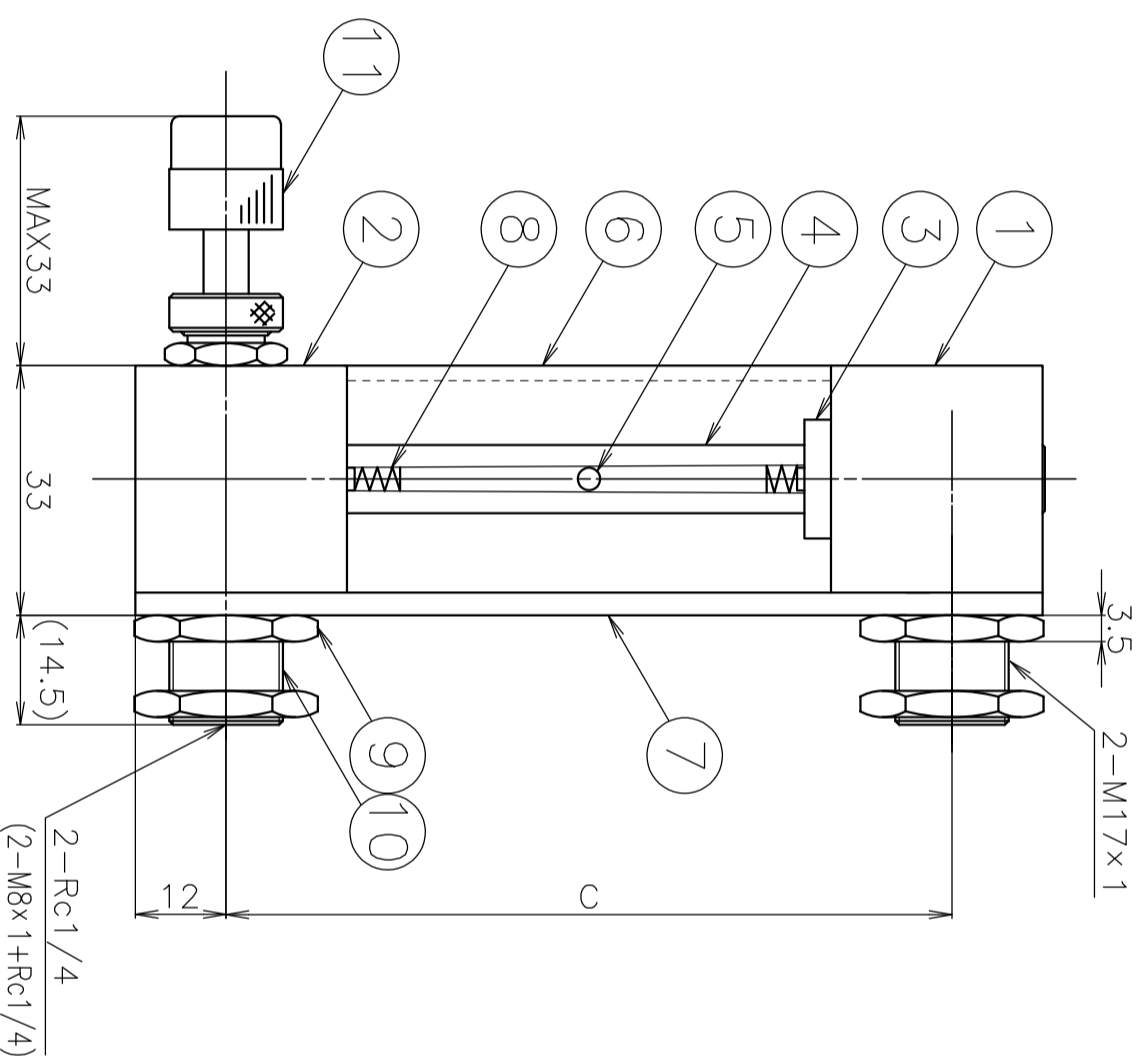
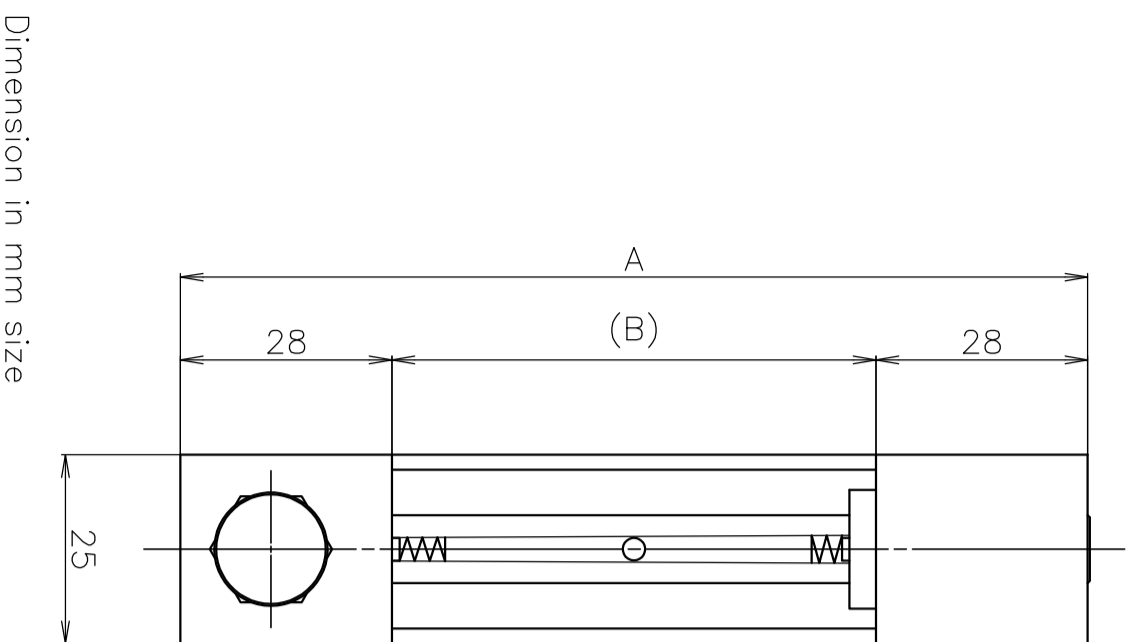
**CAUTION!**

To prevent breaking glass by float, DO NOT put pressure change directly on this flowmeter in case you set electromagnetic valve, open and shut it when lay the flowmeter.

Standard Specifications

Fluids (Air conversion-dtm)	Various standard ranges from 0.1 to 1L/min and 2 to 20L/min (F.S)	
Flow range	Standard gases: AIR,N <sub>2</sub> ,O <sub>2</sub> ,H <sub>2</sub> ,He,Ar,CO <sub>2</sub> * Calculating calibration for other gases and consult about calibration of using gas	
Accuracy	F.S.±2% (Measurement point)	
Proof pressure	0.5MPa(G)	
Available scale	10:1	
Temperature resistance	MAX60°C	
Needle valve	Simple needle valve model 2400	
Connection end	Rc1/4 (Standard) ø6 hoses nipple, ø8 hoses nipple, etc. (Optional)	
Fluid contact materials	A Al,Brass,316 stainless steel,NBR,Hard glass,303 stainless steel,POM,(PTFE,6-6Nylon)	S 304 stainless steel,FKM,Hard glass,316 stainless steel,303 stainless steel,PCTFE,(PTFE,6-6Nylon)

Dwg. No.	FR320068A1
Name	Flexible flowmeter with needle valve MODEL RK1100V (inline needle)
Customer	
MODEL:RK1100-VD-**	
Specifications	
Fluid:	
Flow rate:	
Total length:	
Material:	
Pressure:	(inlet)
Temperature:	
Connection:	
Float:	
Remarks:	



11	Needle valve			1	
10	IN,OUT Joint	Brass	304 stainless steel	2	
9	Mounting nut	Brass		4	
8	Stopper	316 Stainless steel		2	
7	Back plate	A6063S-T5		1	
6	Cover	Clear acrylic resin		1	
5	Float	Hard glass or 316 stainless steel		1	
4	Tube	Hard glass		1	
3	Sticker screw	Al	304 stainless steel	1	
2	Lower block	Al	304 stainless steel	1	
1	Upper block	Al	304 stainless steel	1	
No.	NAME	SPECIFICATION		Qt.	NOTES
SCALE	1/1	R	E		
3RD ANGLE PROJ. V					

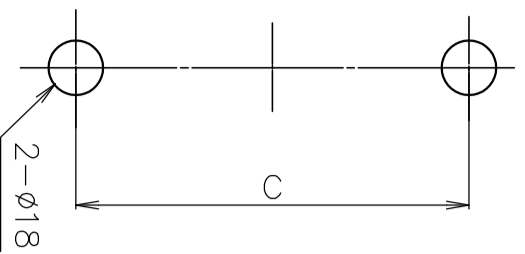
**KOFLOC Corp.**

DESIGNED DRAWN CHECKED APPROVED

DATE / /

Dimension in mm size

Cut Out Dimensions



Dimensions of each section by nominal size (mm)

name part	12	15	20	25
A	120	150	200	250
B	64	94	144	194
C	96	126	176	226

**CAUTION!**

To prevent breaking glass by float, DO NOT put pressure change directly on this flowmeter in case you set electromagnetic valve, open and shut it when lay the flowmeter.

Standard Specifications

Fluids (Air conversion-dttn)	Various standard ranges from 0.1 to 1L/min and 2 to 20L/min (F.S)	
Flow range	Standard gases: Al,R,N <sub>2</sub> ,O <sub>2</sub> ,H <sub>2</sub> ,He,Ar,CO <sub>2</sub> * Calculating calibration for other gases and consult about calibration of using gas	
Accuracy	F.S.±2% (Measurement point)	
Proof pressure	0.5MPa(G)	
Available scale	10:1	
Temperature resistance	MAX60°C	
Needle valve	Simple needle valve model 2400	
Connection end	Rc1/4 (Standard)	φ6 hoses nipple,φ8 hoses nipple,etc. (Optional)
Fluid contact materials	A Al,Brass,316 stainless steel,NBR,Hard glass,303 stainless steel,POM,(PTFE,6-6Nylon)	S 304 stainless steel,FKM,Hard glass,316 stainless steel,303 stainless steel,PCTFE,(PTFE,6-6Nylon)

Dwg. No. FR320069A1

Name Flexible flowmeter with needle valve  
MODEL RK1100V (Out line needle)

Customer

MODEL:RK1100-VU-\*\*  
Specifications

Fluid:

Flow rate:

Total length:

Material:

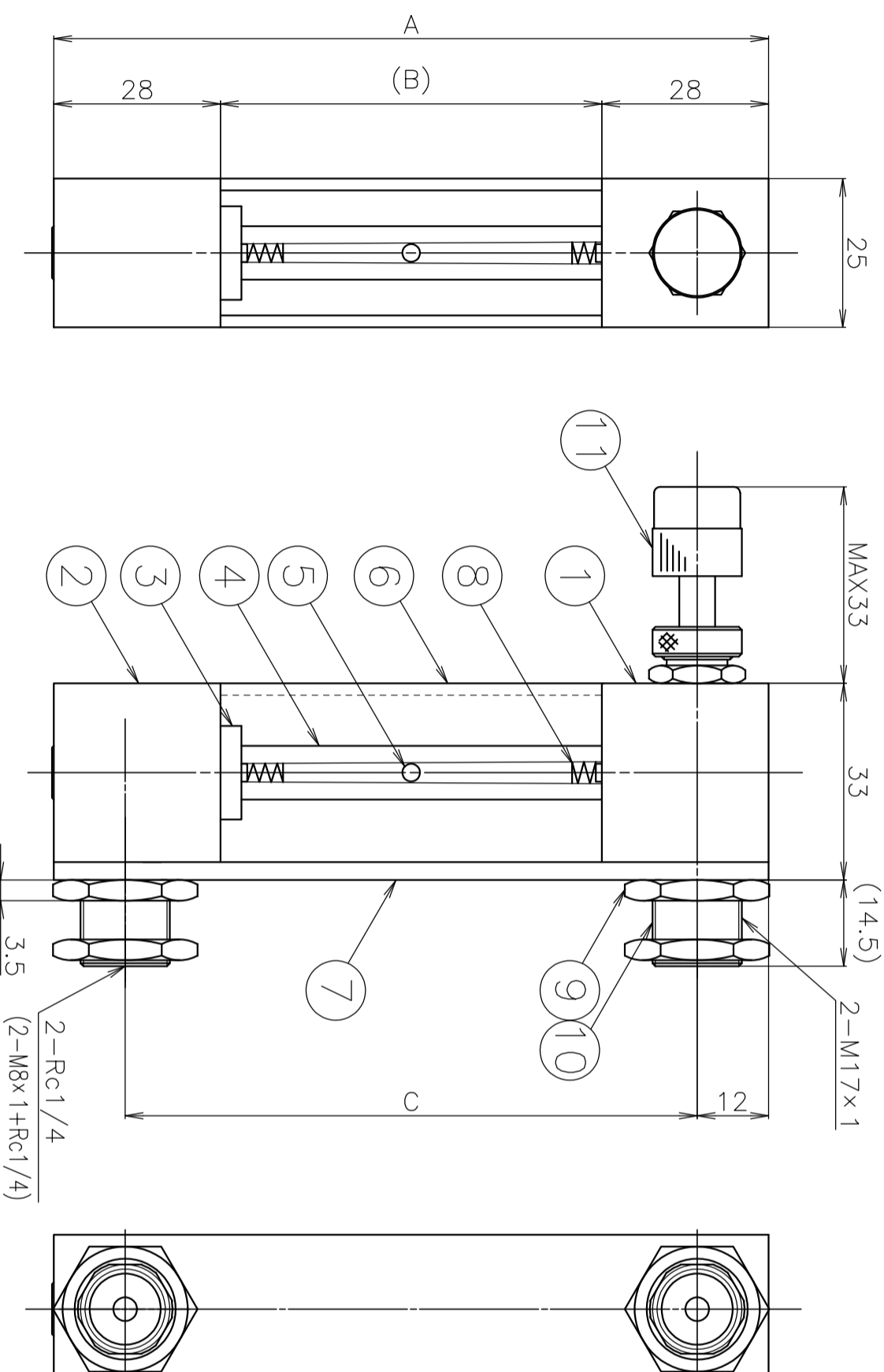
Pressure: (inlet)

Temperature:

Connection:

Float:

Remarks:



11	Needle valve			1
10	IN,OUT Joint	Brass	304 stainless steel	2
9	Mounting nut	Brass		4
8	Stopper	316 Stainless steel		2
7	Back plate	A6063S-T5		1
6	Cover	Clear acrylic resin		1
5	Float	Hard glass or 316 stainless steel		1
4	Tube	Hard glass		1
3	Sticker screw	Al	304 stainless steel	1
2	Lower block	Al	304 stainless steel	1
1	Upper block	Al	304 stainless steel	1

No.	NAME	SPECIFICATION		Qt.	NOTES
		A	S		
SCALE 1/1					
3RD ANGLE PROJ. R E V					

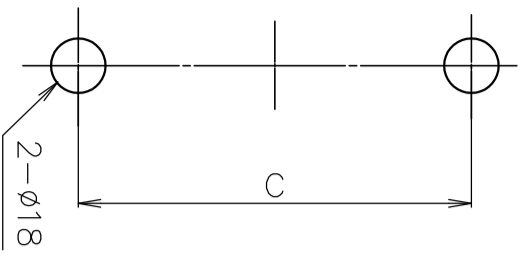
**KOFLOC Corp.**

DESIGNED DRAWN CHECKED APPROVED

DATE / /

Dimension in mm size

Cut Out Dimensions



Dimensions of each section by nominal size (mm)

name part	12	15	20	25
A	120	150	200	250
B	64	94	144	194
C	96	126	176	226

**CAUTION!**

To prevent breaking glass by float, DO NOT put pressure change directly on this flowmeter in case you set electromagnetic valve, open and shut it when lay the flowmeter.

Standard Specifications

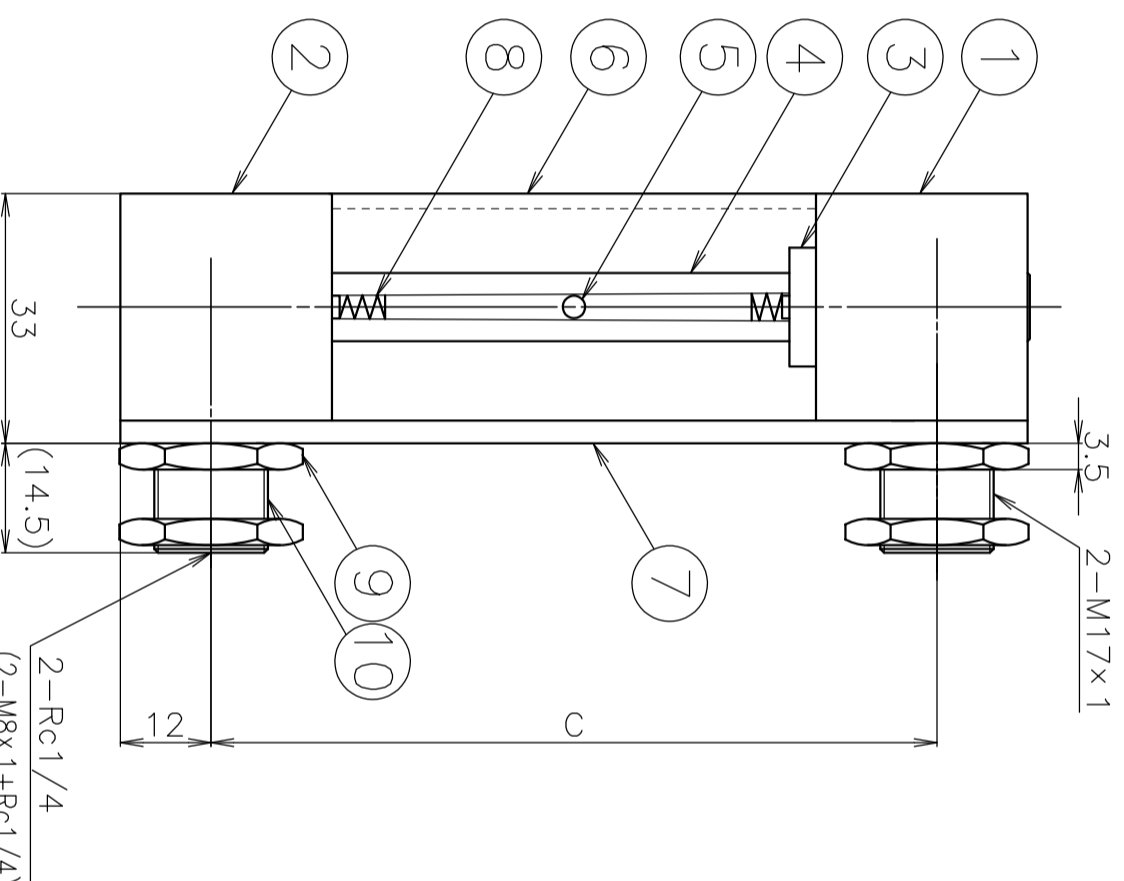
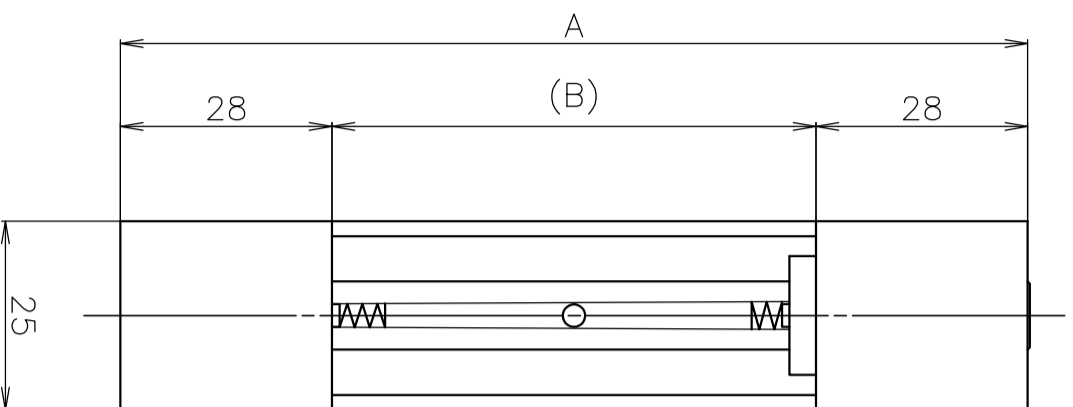
Fluids (Air conversion-atm)	Various standard ranges from 1 to 10mL/min and 2 to 20L/min (F.S)	
Flow range	Standard gases: Al,R,N <sub>2</sub> ,O <sub>2</sub> ,H <sub>2</sub> ,He,Ar,CO <sub>2</sub> * Calculating calibration for other gases and consult about calibration of using gas	
Accuracy	F.S.±2% (Measurement point)	
Proof pressure	0.5MPa(G)	
Available scale	10:1	
Temperature resistance	MAX60°C	
Connection end	Rc1/4 (Standard) φ6 hoses nipple, φ8 hoses nipple, etc. (Optional)	
Fluid contact materials	A Al, Brass, 316 stainless steel, NBR, Hard glass, (PTFE, 6-6Nylon)	S 304 stainless steel, FKW, Hard glass, 316 stainless steel, (PTFE, 6-6Nylon)

Dwg. No.	FR320067A1
Name	Flexible flowmeter
Customer	
MODEL:RK1100-	MODEL RK1100

Specifications

Fluid: \_\_\_\_\_  
 Flow rate: \_\_\_\_\_  
 Total length: \_\_\_\_\_  
 Material: \_\_\_\_\_  
 Temperature: \_\_\_\_\_  
 Connection: \_\_\_\_\_  
 Float: \_\_\_\_\_  
 Remarks: \_\_\_\_\_

Dimension in mm size



10	IN,OUT joint	Brass	304 Stainless steel	2	
9	Mounting nut	Brass		4	
8	Stopper	316 Stainless steel		2	
7	Back plate	A6063S-T5		1	
6	Cover	Clear acrylic resin		1	
5	Float	Hard glass or 316 Stainless steel		1	
4	Tube	Hard glass		1	
3	Sticker screw	Al	304 Stainless steel	1	
2	Lower block	Al	304 Stainless steel	1	
1	Upper block	Al	304 Stainless steel	1	

No.	NAME	A	S	Qt.	NOTES
SPECIFICATION					
SCALE 1/1					
3RD ANGLE PROJ. R E V					

**KOFLOC Corp.**

DESIGNED	DRAWN	CHECKED	APPROVED
----------	-------	---------	----------

DATE / /