

Standard specifications

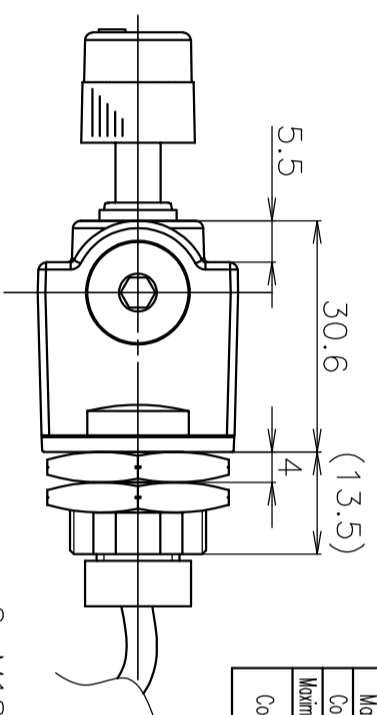
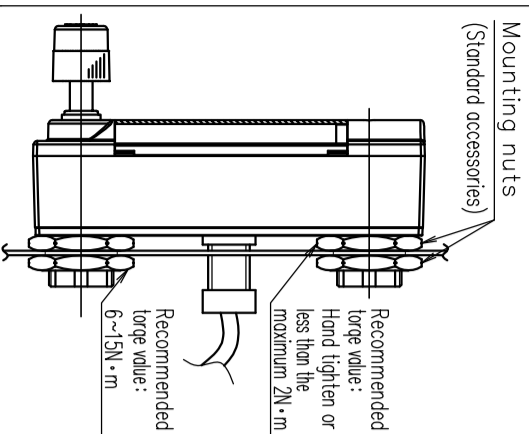
Fluid	AIR/N ₂ L/min		WATER mL/min	
	Flow rate range	Alarm contact range	Flow rate range	Alarm contact range
Flow rate range / Alarm setting range	4~10	(A) contact 6~9.5 (B) contact 4.5~8.5	20~250	(A) contact 50~250 (B) contact 30~230
	2.5~25	8~20 5~16	100~1500	300~1500 150~1400
Accuracy	5~50	16~46 10~36	600~2800	900~2800 700~2800
	20~100	45~100 35~90		
Fitting size	FS ±6% (20°C atmospheric pressure)			
Fluid contact materials	Body	ABS		
	Tube	Acrylic resin		
	Float	AIR/N ₂ -10L,25L,50L spec.: Ferrite magnet WATER spec. and AIR/N ₂ -100L spec.: SUS316+epoxy coated magnet		
Proof pressure	0.7MPa(G)			
	Operating temperature	10~35°C ※Non condensing		
Maximum voltage	30V DC			
Contact capacity	10W DC			
Maximum switching current	0.5A DC			
Contact method	(A) ON if flow exceeds the preset valve (B) ON if flow falls below the preset valve			

*Prior to shipment, the flowmeter is calibrated using room temperature water.
As for the customer specifications, please verify them using actual equipment on your side.

Dwg. No.	FR320258A1	MODEL
Name	Resin Flowmeter with reed switch sensor	RK20T-RSW
Customer		
MODEL:RK20T-RSW-V-1/4- Specifications		
Fluid:		
Flow rate:		
Float:		
Contact motion:		
Remarks:		

«Panel surface mounting»

⚠ In order to protect the body and other parts from damage by a load applied when tightening a panel mounting nut, please control the torque of mounting nuts.
For the inner mounting nuts, tighten the mounting nuts by hand or use a tool to tighten it to a torque less than 2N·m. The outer mounting nuts should be tightened to a torque of 6 to 15N·m.

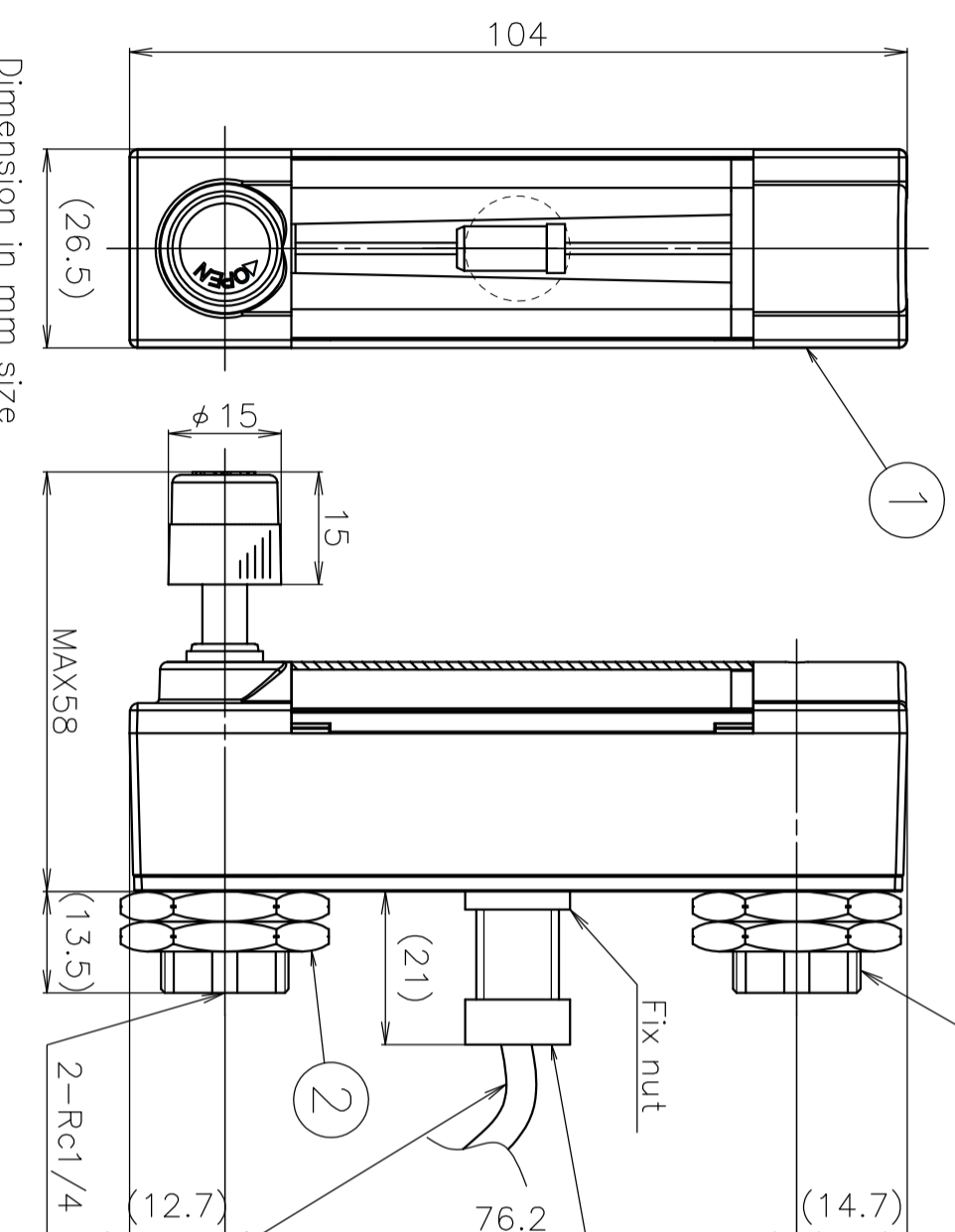
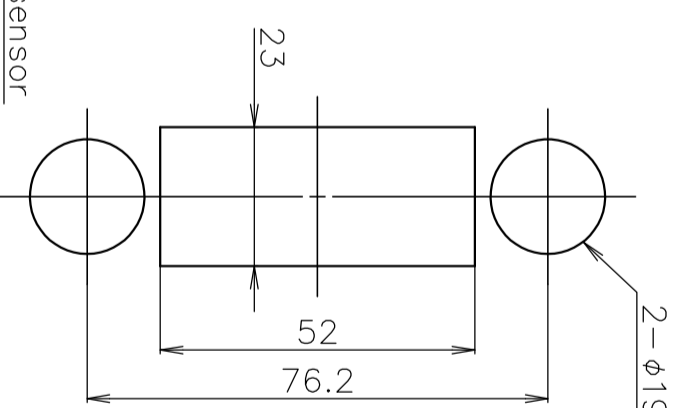


⚠ CAUTION!
Model RK20T-V(with a valve) does not guarantee the zero stop.
If the zero stop is required, be sure to install a stop valve before this product.

⚠ CAUTION!

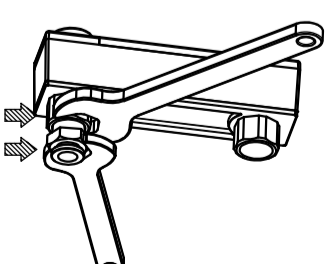
To prevent breaking acrylic by float, DO NOT put pressure change directly on this flowmeter in case you set electromagnetic valve, open and shut it when lay the flowmeter.

Cut Out Dimensions



Reed switch sensor
(Cable length : 65cm
(Code : 2-core (no polarity))
*Move the reed switch sensor up and down and check response to set a required response position and then secure it with a lock nut.

⚠ When connecting a joint to this flow meter, do not grip the resin part of the meter body.
The resin part may be broken. Be sure to hold the metallic joint part and screw in the joint as shown below.



No.	NAME	MATERIAL	Qt.	NOTES
3	Reed switch sensor		1	
2	Mounting nut	Brass	4	
1	RK20T-RSW		1	
SCALE 1/1				
3RD ANGLE PROJ. V				

KOFLOC Corp.

DESIGNED	DRAWN	CHECKED	APPROVED
----------	-------	---------	----------

DATE 31 / OCT. / 2024

Dimension in mm size