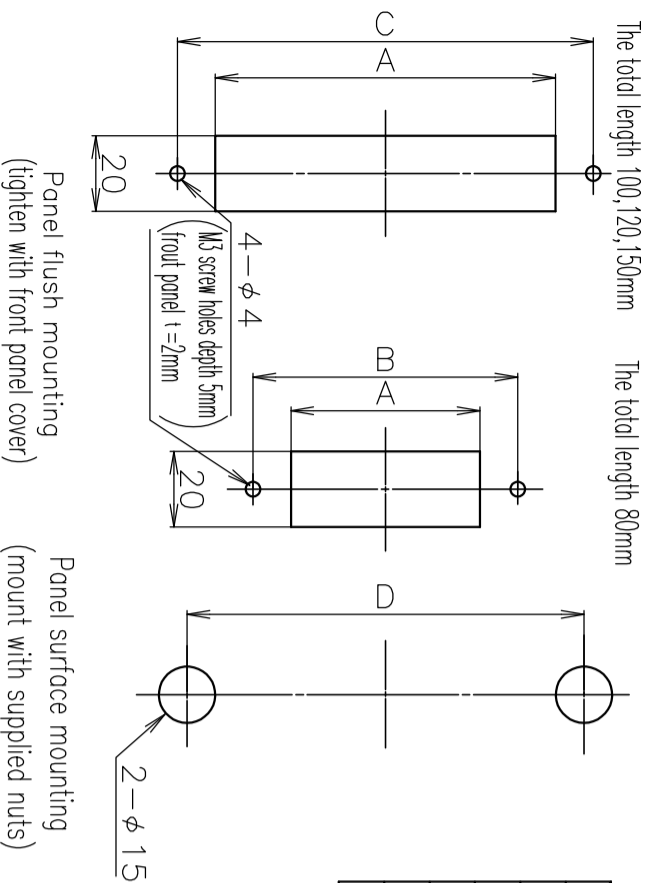


Cut Out Dimensions



Dimensions of each section by nominal size (mm)

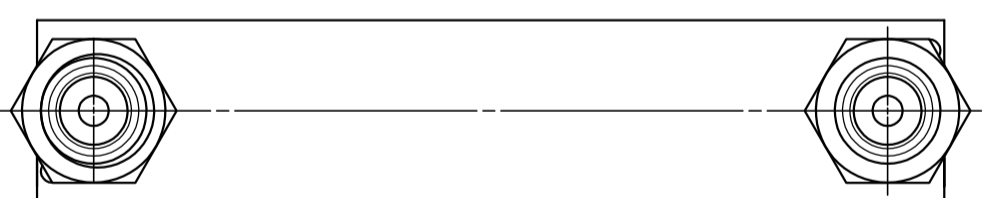
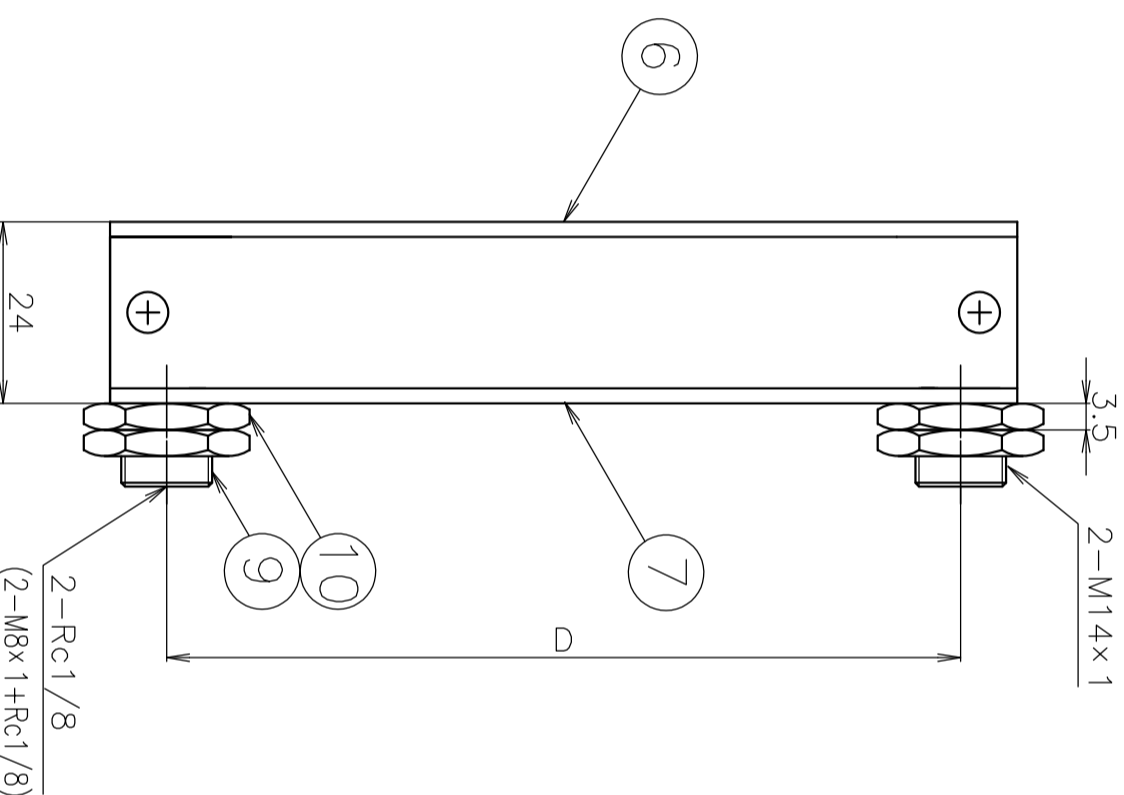
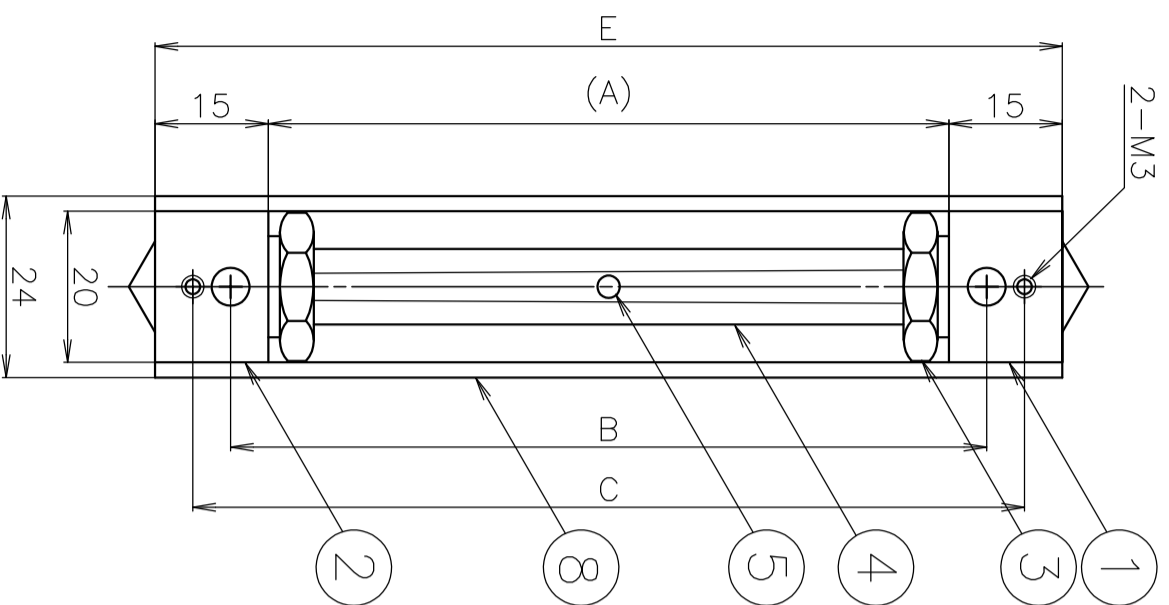
08	10	12	15
50	70	90	120
60	80	100	130
70	90	110	140
65	85	105	135
80	100	120	150

Standard Specifications

Flow range (Air conversion-atm)	100mL,150mL,200mL,300mL,500mL/min 1L,2V,3V,5L,10L,15L,20L/min (F.S.)
Fluids	Standard gases: AIR,N ₂ ,O ₂ ,H ₂ ,He,Ar,CO ₂ * Calculating calibration for other gases and consult about calibration of using gas
Proof pressure	0.7MPa(G) for 5L/min or less 0.5MPa(G) for 10L/min or more
Accuracy	F.S. ±5% (Measurement point)
Available scale	10:1
Temperature resistance	MAX60°C
Connection end	Rc1/8 (Standard) φ6 hoses nipple, φ8 hoses nipple, etc. (Optional)

Fluid contact materials	B: Brass, Hard glass, NBR, 316 stainless steel, (PTFE) S: 304 stainless steel, Hard glass, FKM, 316 stainless steel, (PTFE)
-------------------------	--

CAUTION!
To prevent breaking glass by float, DO NOT put pressure change directly on this flowmeter in case you set electromagnetic valve, open and shut it when lry the flowmeter.



Dimension in mm size

Dwg. No. FR320168A1

Name Purge flowmeter MODEL RK1000

Customer

MODEL:RK1000-**-M8+1/8-

* with mounting nut

Specifications

Fluid: _____
Flow rate: _____
Total length: _____
Material: _____
Temperature: _____
Connection: Rc1/8 (M8x1+Rc1/8)
Float: _____
Remarks: _____

10	Mounting nut	Brass	4
9	Connecting joint	Brass 316 Stainless steel	2
8	Side plate	Al	2
7	Back plate	Yellow acrylic resin	1
6	Front plate	Clear acrylic resin	1
5	Float	Hard glass or 316 Stainless steel	1
4	Tube	Hard glass	1
3	Cap nut	Brass	2
2	Lower block	Brass 304 Stainless steel	1
1	Upper block	Brass 304 Stainless steel	1
No.	NAME	B S	Qt.
SPECIFICATION			
SCALE 1/1			
3RD ANGLE PROJ. R E V			

KOFLOC Corp.

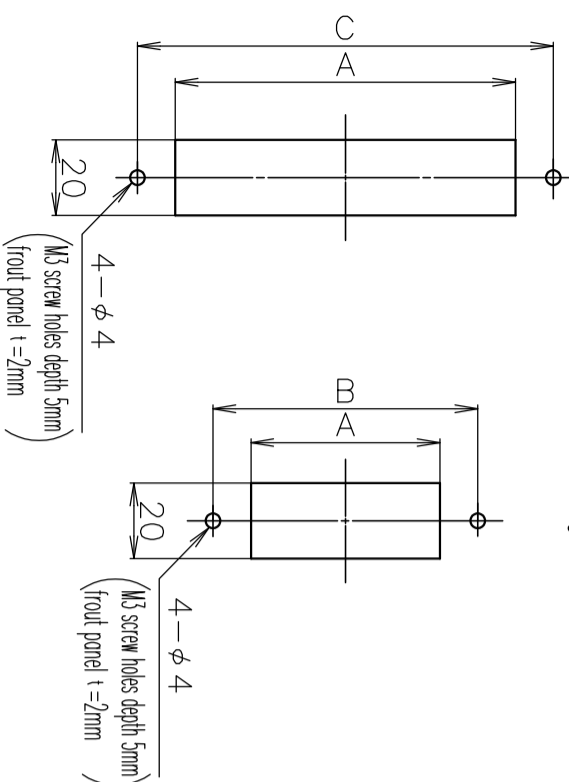
DESIGNED DRAWN CHECKED APPROVED

DATE / /

Cut Out Dimensions

The total length 100,120,150mm

The total length 80mm



Dimensions of each section by nominal size (mm)

name part	08	10	12	15
A	50	70	90	120
B	60	80	100	130
C	70	90	110	140
D	65	85	105	135
E	80	100	120	150

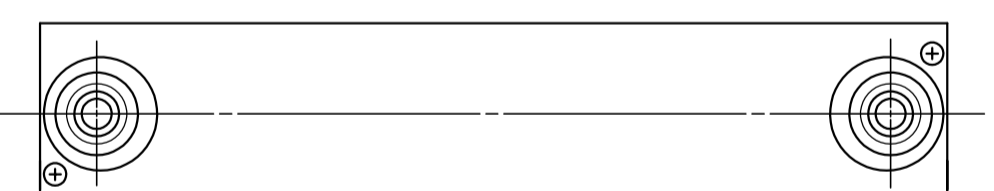
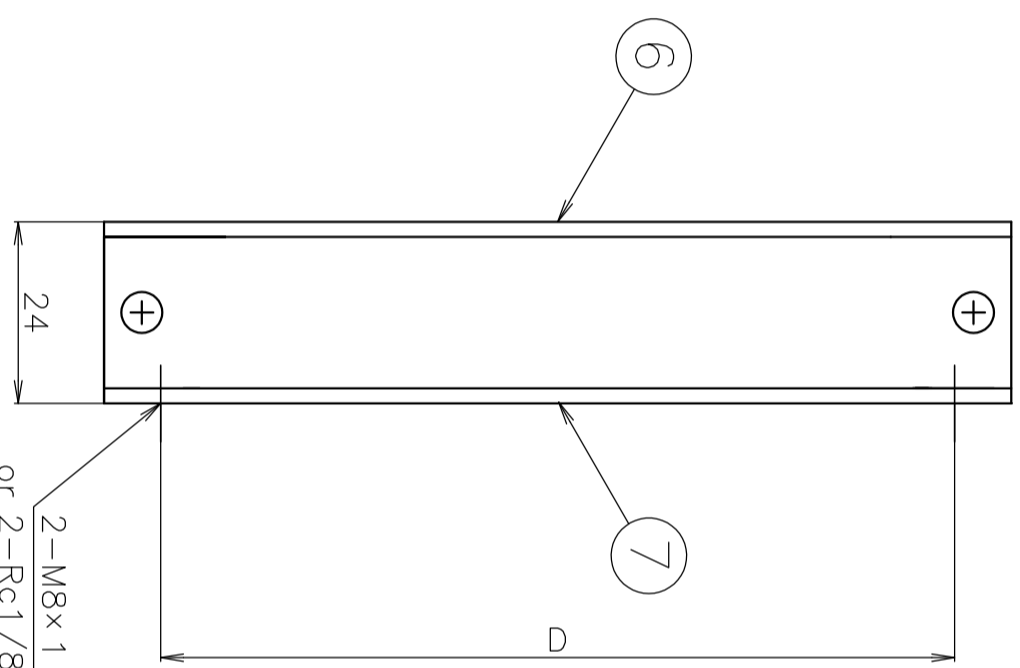
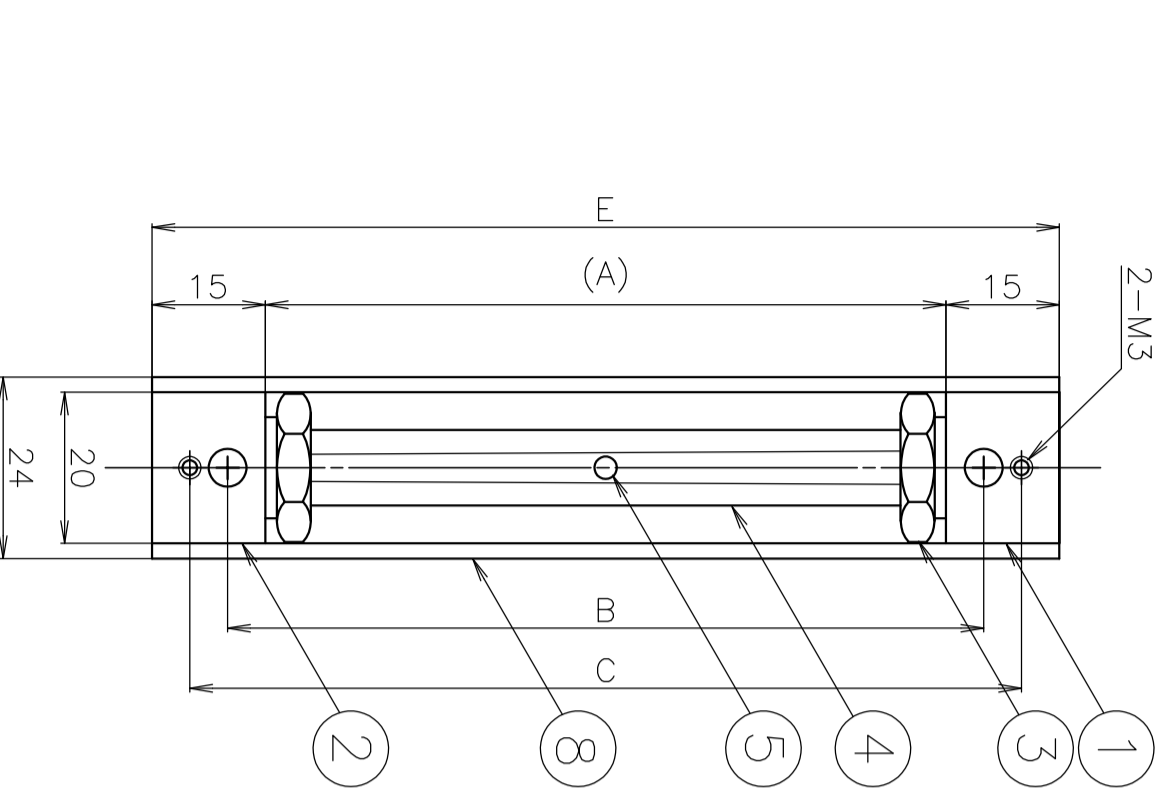
Standard Specifications

Flow range (Air conversion- atm)	100mL,150mL,200mL,300mL,500mL/min 1L,2L,3L,5L,10L,15L,20L/min (F.S.)	
Fluids	Standard gases: AIR, N ₂ , O ₂ , H ₂ , He, Ar, CO ₂ * Calculating calibration for other gases and consult about calibration of using gas	
Proof pressure	0.7MPa(G) for 5L/min or less 0.5MPa(G) for 10L/min or more	
Accuracy	F.S. $\pm 5\%$ (Measurement point)	
Available scale	10:1	
Temperature resistance	MAX60°C	
Connection end	Rc1/8 (Standard) M8x1, $\phi 6$ hoses nipple, $\phi 8$ hoses nipple etc. (Optional)	
Fluid contact materials	B Brass, Hard glass, NBR, 316 stainless steel (PTFE)	S 304 stainless steel, Hard glass, FKX, 316 stainless steel (PTFE)

Dwg. No.	FR320023A1	MODEL	
Name	Purge flowmeter	MODEL	RK1000
Customer			
MODEL:RK1000- Specifications			
Fluid:			
Flow rate:			
Total length:			
Material:			
Temperature:			
Connection:			
Floot:			
Remarks:			

⚠ CAUTION!

To prevent breaking glass by float, **DO NOT** put pressure change directly on this flowmeter in case you set electromagnetic valve, open and shut it when lay the flowmeter.



Dimension in mm size

8	Side plate	Al	2	
7	Back plate	Yellow acrylic resin	1	
6	Front plate	Clear acrylic resin	1	
5	Floot	Hard glass or 316 Stainless steel	1	
4	Tube	Hard glass	1	
3	Cap nut	Brass	2	
2	Lower block	Brass 304 Stainless steel	1	
1	Upper block	Brass 304 Stainless steel	1	
No.	NAME	B	S	Qt.
SPECIFICATION				
SCALE	1/1	R		
3RD ANGLE PROJ. V				

KOFLOC Corp.

DESIGNED DRAWN CHECKED APPROVED

DATE / /