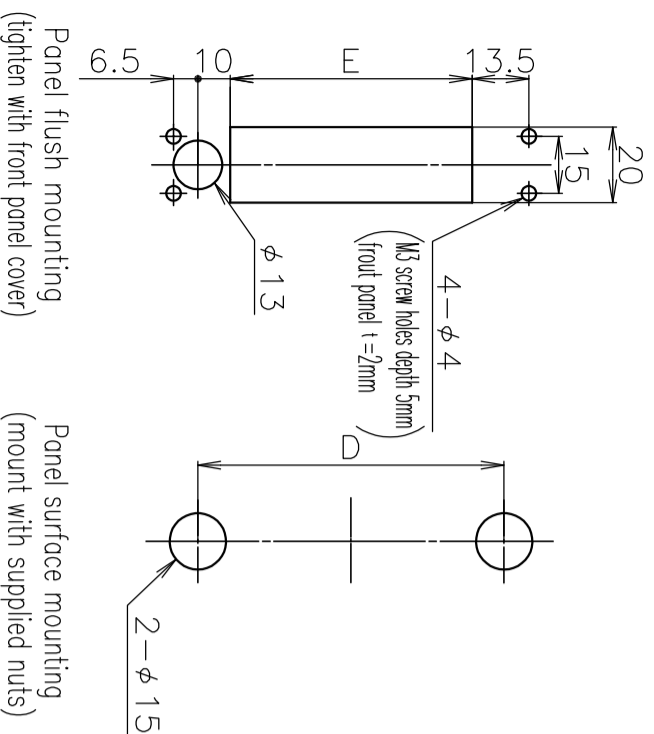


Cut Out Dimensions



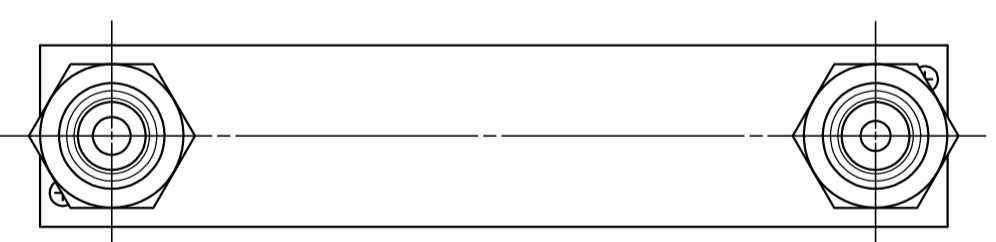
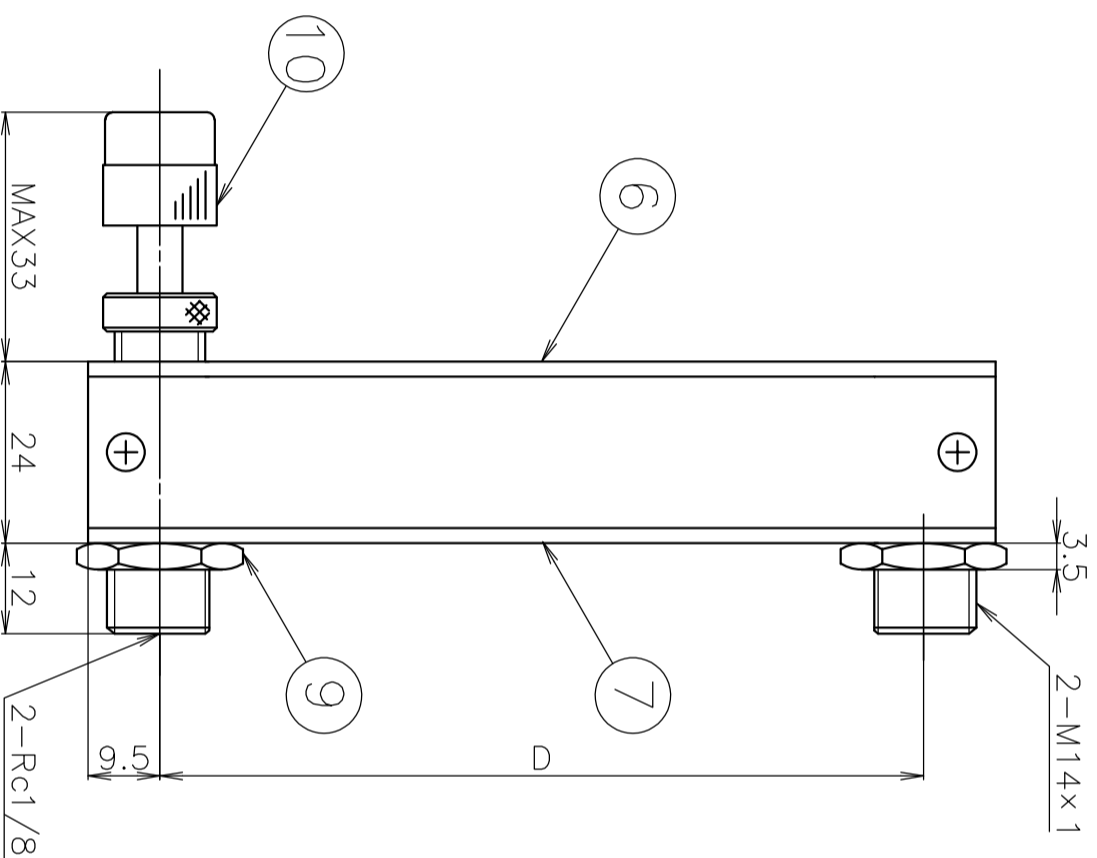
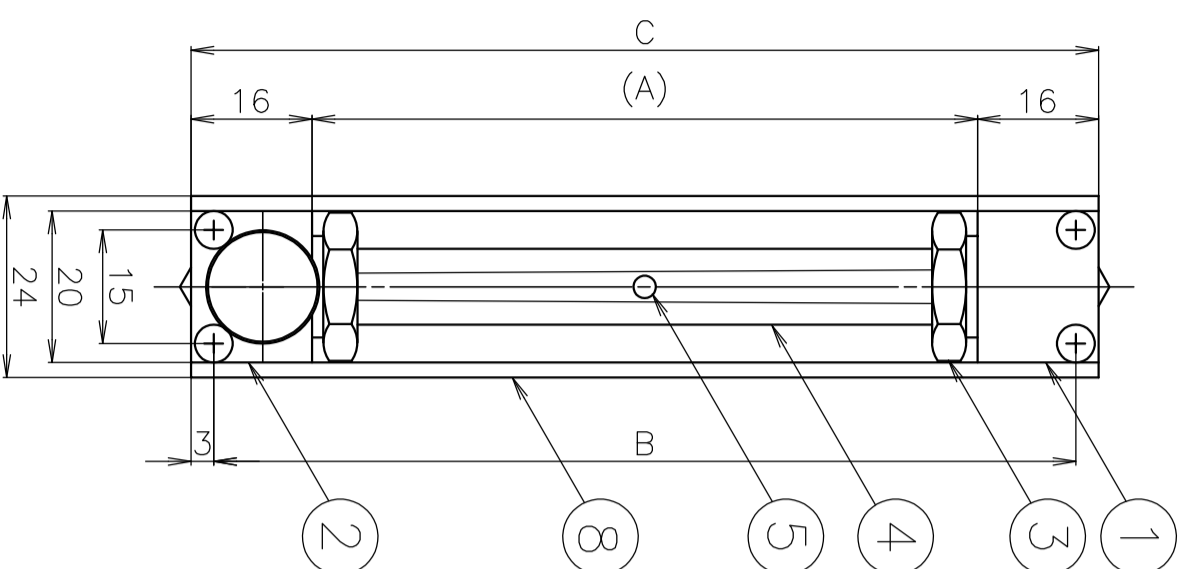
Dimensions of each section by nominal size(mm)

nominal part	08	10	12	15
A	48	68	88	118
B	74	94	114	144
C	80	100	120	150
D	61	81	101	131
E	44	64	84	114

Standard Specifications

Flow range (Air conversion-dtm)	1L,2L,3L,5L,10L,15L,20L/min (F.S.)	
Fluids	Standard gases: AIR,N <sub>2</sub> ,O <sub>2</sub> ,H <sub>2</sub> ,He,Ar,CO <sub>2</sub> * Calculating calibration for other gases and consult about calibration of using gas	
Proof pressure	0.7MPa(G) for 5L/min or less 0.5MPa(G) for 10L/min or more	
Accuracy	F.S.±5% (Measurement point)	
Available scale	10:1	
Temperature resistance	MAX60℃	
Connection end	Rc1/8 (Standard) φ6 hoses nipple,φ8 hoses nipple,etc. (Optional)	
Fluid contact materials	B Brass,Hard glass,POM,NBR,316 stainless steel,PTFE	S 304 stainless steel,Hard glass,FKM,PTFE,316 stainless steel,303 stainless steel (PTFE)

**CAUTION!**  
To prevent breaking glass by float, DO NOT put pressure change directly on this flowmeter in case you set electromagnetic valve, open and shut it when lay the flowmeter.



Dimension in mm size

Dwg. No. FR320011A1

Name Purge flowmeter with needle valve  
MODEL RK1600R (inline needle)

Customer

MODEL:RK1600R-

Specifications

Fluid:

Flow rate:

Total length:

Material:

Pressure: (inlet)

Temperature:

Connection: Rc1/8

Floqt:

Remarks:

10	Needle valve	—	1
9	Mounting nut	Brass	2
8	Side plate	Al	2
7	Back plate	Yellow acrylic resin	1
6	Front plate	Clear acrylic resin	1
5	Float	Hard glass or Stainless steel 316	1
4	Tube	Hard glass	1
3	Cap nut	Brass	2
2	Lower block	Brass 304 Stainless steel	1
1	Upper block	Brass 304 Stainless steel	1
No.	NAME	B S	Qt.
SPECIFICATION			
SCALE 1/1			
3RD ANGLE PROJ. R E V			

**KOFLOC Corp.**

DESIGNED DRAWN CHECKED APPROVED

DATE / /