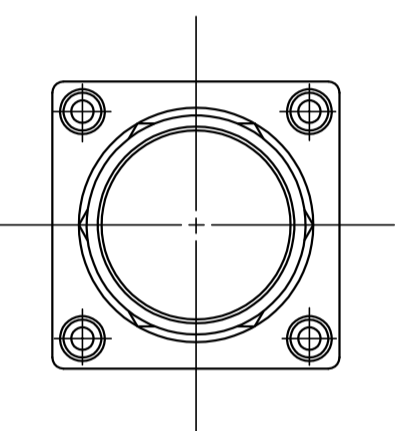
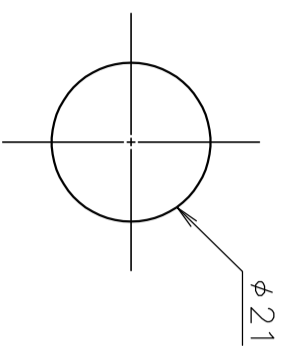
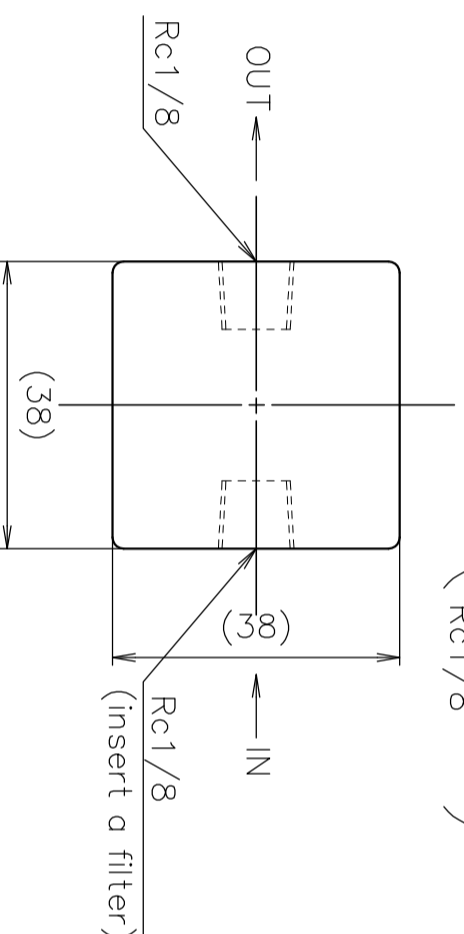
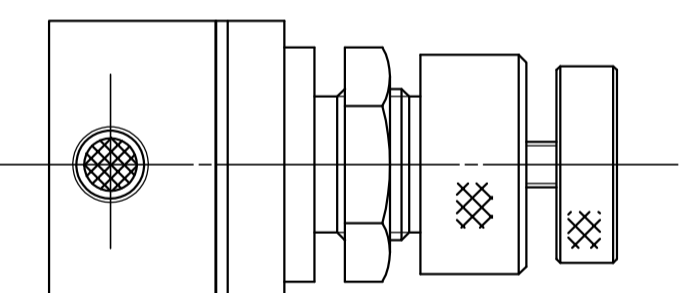
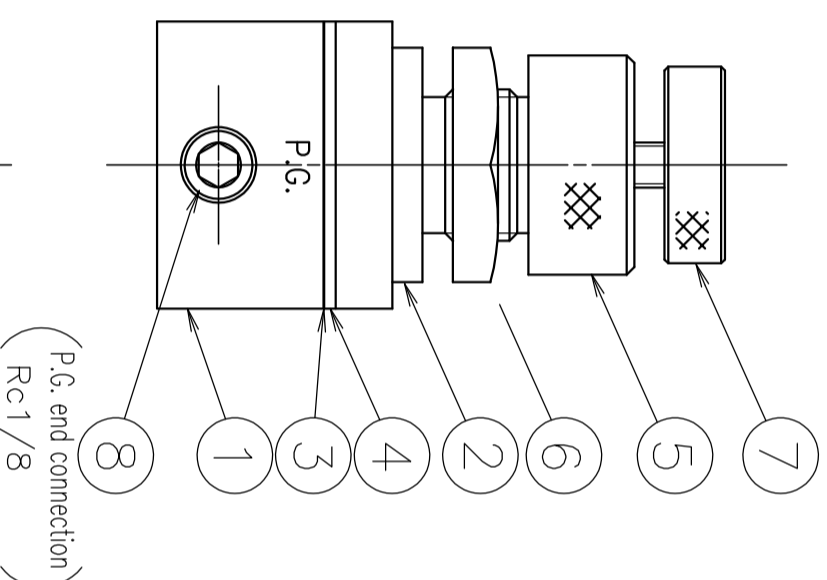
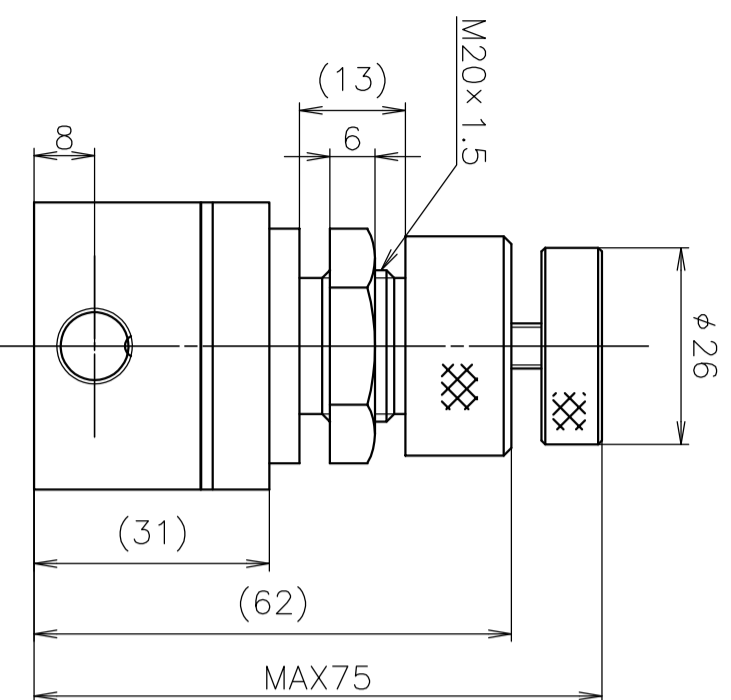


Cut Out Dimension



Standard Specifications	
Fluid	Various gases
Primary side Max.pressure	0.4MPa(G)
Secondary side regulating pressure	0.01-0.15MPa(G)
Max. flow rate	5L/min
Min.operating pressure difference	0.1MPa above
Materials of areas in contact with gas	316 stainless steel, 304 stainless steel, 303 stainless steel,FKM,PTFE,PCTFE,Hard glass
Proof pressure	0.8MPa(G)
Reproducibility	Within ±1% of rated pressure
Environmental Temp.	5-60°C
Connection end	Rc1/8

Dwg. No.	FR330032A1
Name	Pressure regulating valve MODEL_6610
Customer	
MODEL:	6610-



8	Gauge port plug	304 Stainless steel	1	
7	Knob	Brass	1	
6	Mounting nut	Brass	1	
5	Lock nut	Brass	1	
4	Diaphragm	NBR	1	
3	Seat	PTFE	1	
2	Bonnet	Al63S	1	
1	Main unit	316 Stainless steel	1	
No.	NAME	MATERIAL	Qt.	NOTES
SCALE	1/1			
3RD ANGLE PROJ. R E V				

KOFLOC Corp.

DESIGNED DRAWN CHECKED APPROVED

DATE / /

Dimension in mm size