

Dwg. No. FR330061A1

Name Pressure regulating valve MODEL 6600

Customer

MODEL:6600-
Specifications

Rating:

Material:

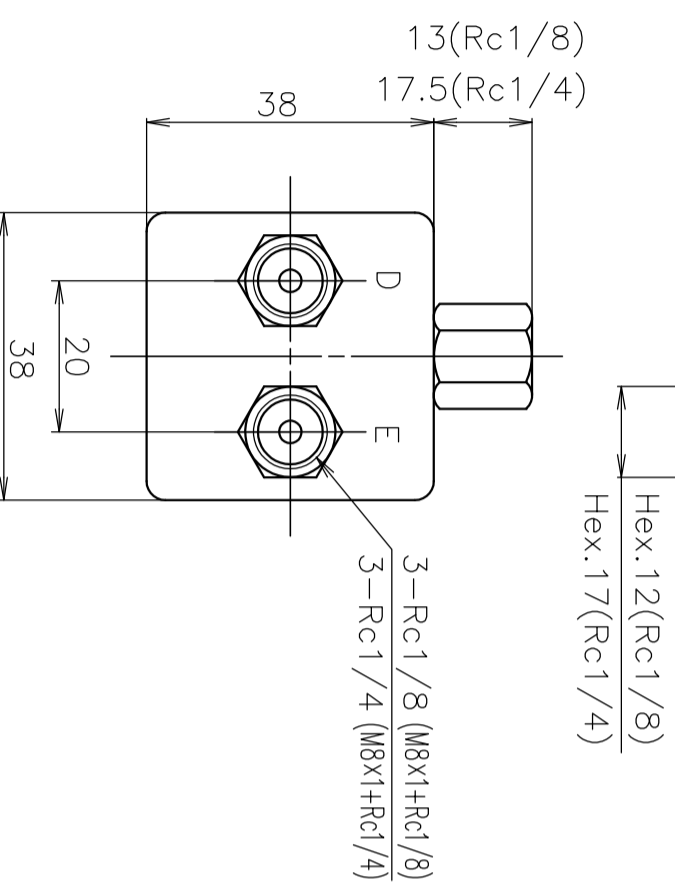
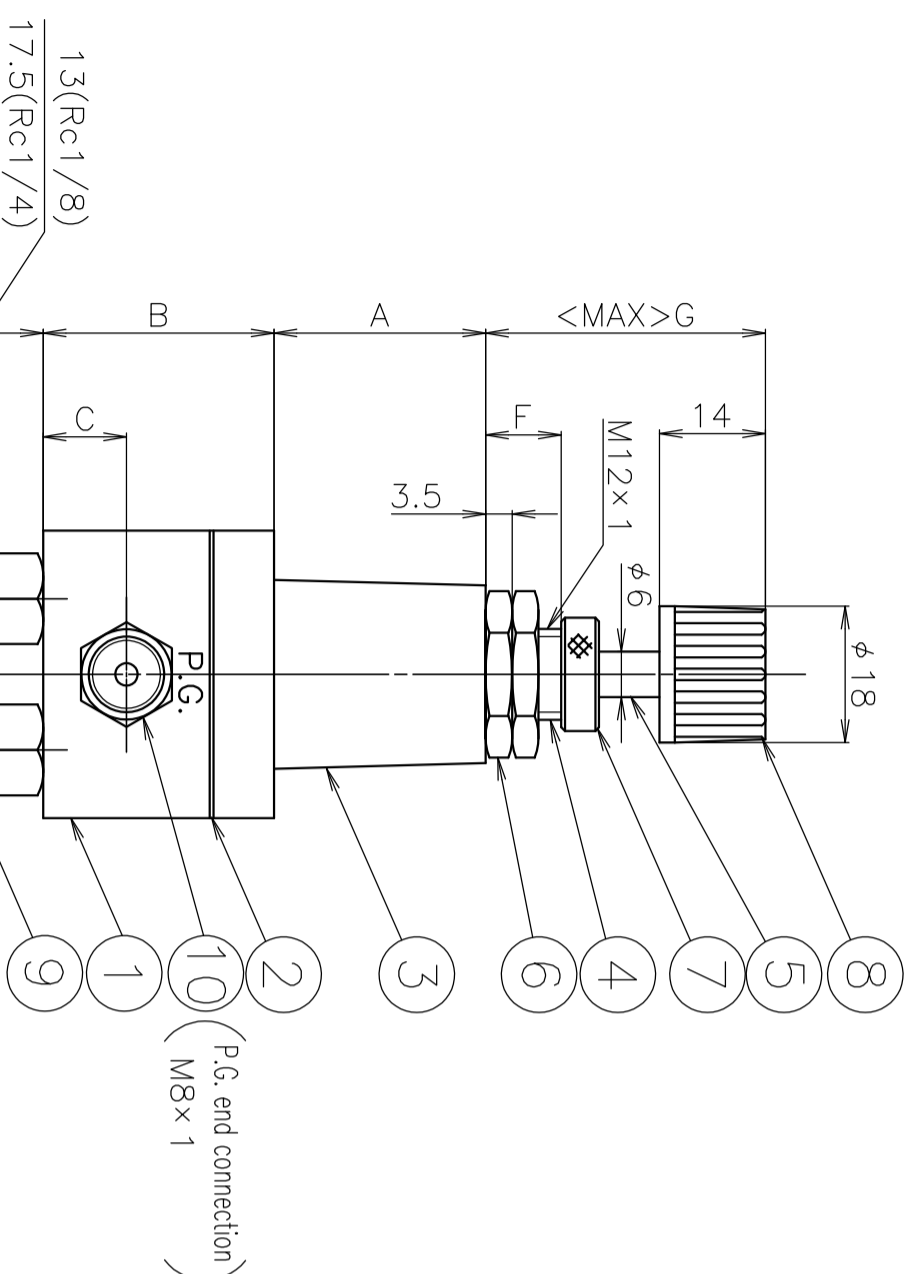
Connection:

Gauge port:

Remarks:

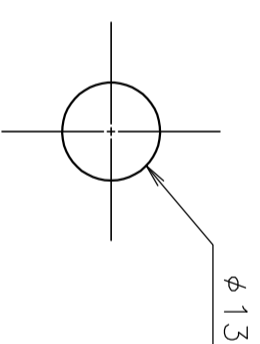
Standard Specifications

| | |
|--|---|
| Primary side max.pressure | 0.8MPa(G) |
| Secondary side control pressure | A,AL type: 0.01-0.3MPa(G) B,BL type: 0.03-0.6MPa(G) |
| Min.operating differential pressure | 0.05MPa |
| Pressure resistance | 0.8MPa(G) |
| Repeatability | Within ±1% of rated pressure |
| Temperature characteristic | Within ±1%/10°C of rated pressure |
| Environmental temp. | 5°C-60°C |
| Connection end | Rc1/8 or Rc1/4 |
| Materials of areas in contact with fluid | (A) Al,Brass,NBR,POM,316 stainless steel, (Hard glass) (SS) 316 stainless steel,FKM,PCTFE 303 stainless steel (Hard glass) |



Dimensions of each section by nominal size(mm)

| MODEL | A | B | C | D | E | F | G |
|--------|----|------|----|-----|-----|----|----|
| 6600A | 28 | 30.5 | 11 | OUT | IN | 10 | 37 |
| 6600B | 31 | 30.5 | 11 | OUT | IN | 13 | 40 |
| 6600AL | 28 | 33.5 | 14 | IN | OUT | 10 | 37 |
| 6600BL | 31 | 33.5 | 14 | IN | OUT | 13 | 40 |



Cut Out Dimension

Dimension in mm size

| No. | NAME | A | SS | Qt. | NOTES |
|-----|---------------------------|---------------------|---------------------|-----|-------|
| 10 | Gauge port adapter | Brass | 316 Stainless steel | 1 | |
| 9 | Adapter | Brass | 316 Stainless steel | 2 | |
| 8 | Knob | Phenol resin | | 1 | |
| 7 | Cap nut | Brass | | 1 | |
| 6 | Mounting nut | Brass | | 2 | |
| 5 | Pressure regulating shaft | 303 Stainless steel | | 1 | |
| 4 | Bonnet bearing | Brass | | 1 | |
| 3 | Bonnet | ADC12 | | 1 | |
| 2 | Diaphragm | NBR | FKM | 1 | |
| 1 | Main unit | Al | 316 Stainless steel | 1 | |

KOFLOC Corp.

| | | | |
|----------|-------|---------|----------|
| DESIGNED | DRAWN | CHECKED | APPROVED |
| DATE | | | |

| | | |
|----------|---------------------------|-------|
| Dwg. No. | FR330023A1 | MODEL |
| Name | Pressure regulating valve | 6600 |
| Customer | | |

MODEL:6600-**-**-1
Specifications

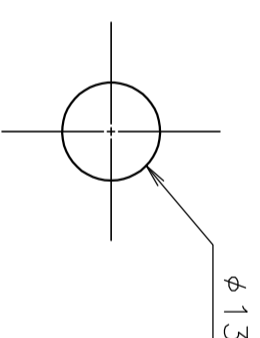
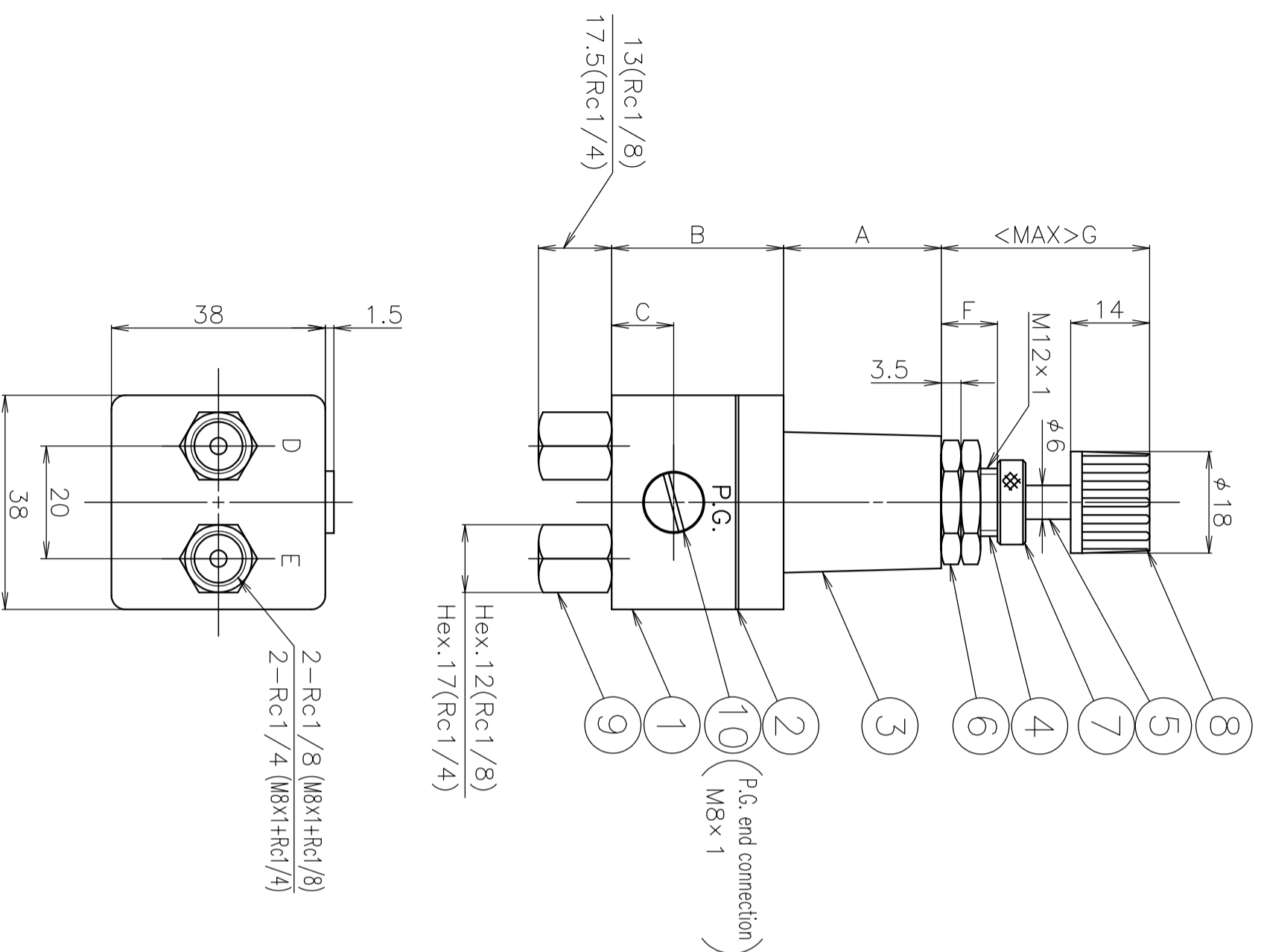
Rating: _____
Material: _____
Connection: _____
Remarks: _____

Standard Specifications

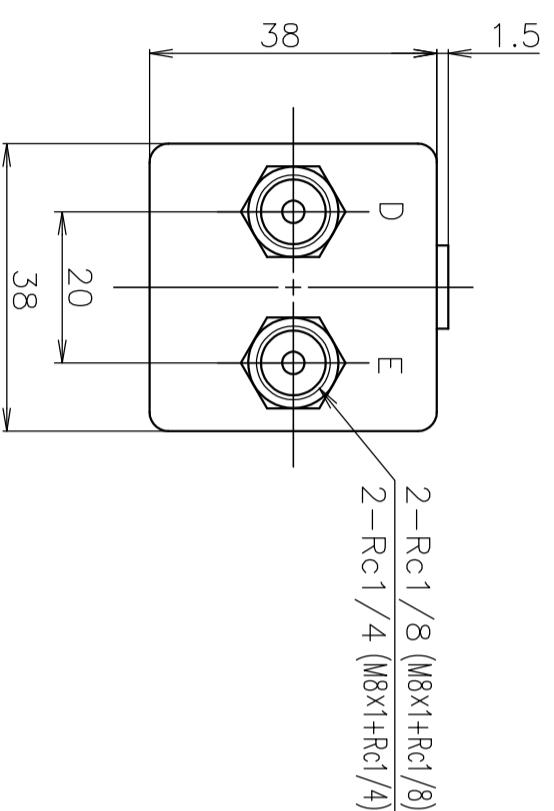
| | |
|--|---|
| Primary side max.pressure | 0.8MPa(G) |
| Secondary side control pressure | A,AL type: 0.01-0.3MPa(G) B,BL type: 0.03-0.6MPa(G) |
| Min.operating differential pressure | 0.05MPa |
| Pressure resistance | 0.8MPa(G) |
| Repeatability | Within ±1% of rated pressure |
| Temperature characteristic | Within ±1%/10°C of rated pressure |
| Environmental temp. | 5°C-60°C |
| Connection end | Rc1/8 or Rc1/4 |
| Materials of areas in contact with fluid | (A) Al,Brass,NBR,POM,316 stainless steel, (Hard glass) (SS) 316 stainless steel,FKM,PCTFE 303 stainless steel (Hard glass) |

Dimensions of each section by nominal size(mm)

| MODEL | A | B | C | D | E | F | G |
|--------|----|------|----|-----|-----|----|----|
| 6600A | 28 | 30.5 | 11 | OUT | IN | 10 | 37 |
| 6600B | 31 | 30.5 | 11 | OUT | IN | 13 | 40 |
| 6600AL | 28 | 33.5 | 14 | IN | OUT | 10 | 37 |
| 6600BL | 31 | 33.5 | 14 | IN | OUT | 13 | 40 |



Cut Out Dimension



Dimension in mm size

| | | | | | |
|---------------------|---------------------------|---------------------|---------------------|-----|-------|
| 10 | Gauge port plug | Brass | 316 Stainless steel | 1 | |
| 9 | Adapter | Brass | 316 Stainless steel | 2 | |
| 8 | Knob | Phenol resin | | 1 | |
| 7 | Cap nut | Brass | | 1 | |
| 6 | Mounting nut | Brass | | 2 | |
| 5 | Pressure regulating shaft | 303 Stainless steel | | 1 | |
| 4 | Bonnet bearing | Brass | | 1 | |
| 3 | Bonnet | ADC12 | | 1 | |
| 2 | Diaphragm | NBR | FKM | 1 | |
| 1 | Main unit | Al | 316 Stainless steel | 1 | |
| No. | NAME | A | SS | Qt. | NOTES |
| SCALE | 1/1 | R | E | V | |
| 3RD ANGLE PROJ. | | | | | |
| KOFLOC Corp. | | | | | |
| DESIGNED | DRAWN | CHECKED | APPROVED | | |
| DATE | / | / | / | | |