

Standard Specifications

Flow range	Various standard ranges from 0.5 to 5mL/min and 2 to 20L/min	
Fluids (Air conversion-atm)	Standard gases: AIR, N ₂ , O ₂ , H ₂ , He, Ar, CO ₂ * Calculating calibration for other gases and consult about calibration of using gas	
Proof pressure	0.5MPa(G)	
Accuracy	F.S.±2% (Measurement point)	
Available scale	10:1	
Temperature resistance	MAX60°C	
Connection end	Rc1/4 (Standard) φ6 hoses nipple, φ8 hoses nipple, etc. (Optional)	
Fluid contact materials	B Brass, 316 stainless steel, NBR, Hard glass, (PTFE, 6-6Nylon)	SS 316 stainless steel, FKM, Hard glass (PTFE, 6-6Nylon)

Dwg. No. FR320093A1

Name Multi flowmeter MODEL RK1403

Customer

MODEL: RK1403- Specifications

Fluid:

Flow rate:

Total length: (with Stand)

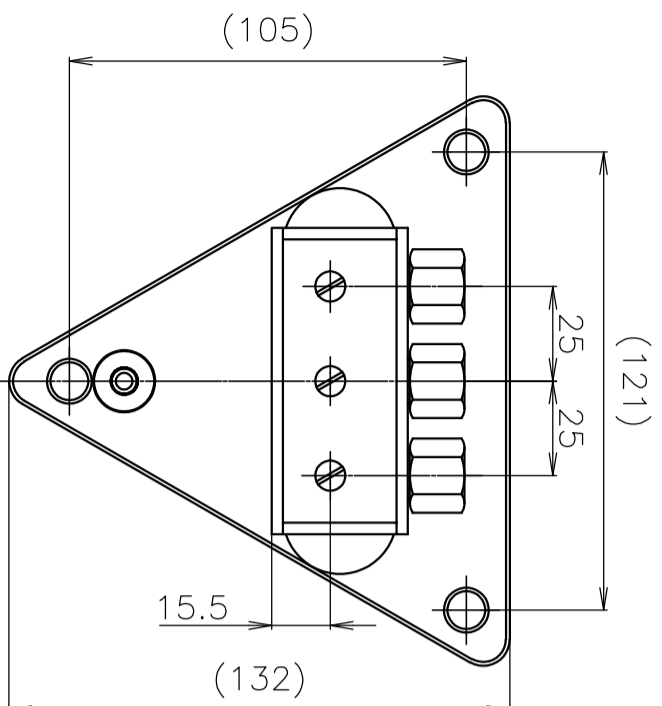
Material:

Temperature:

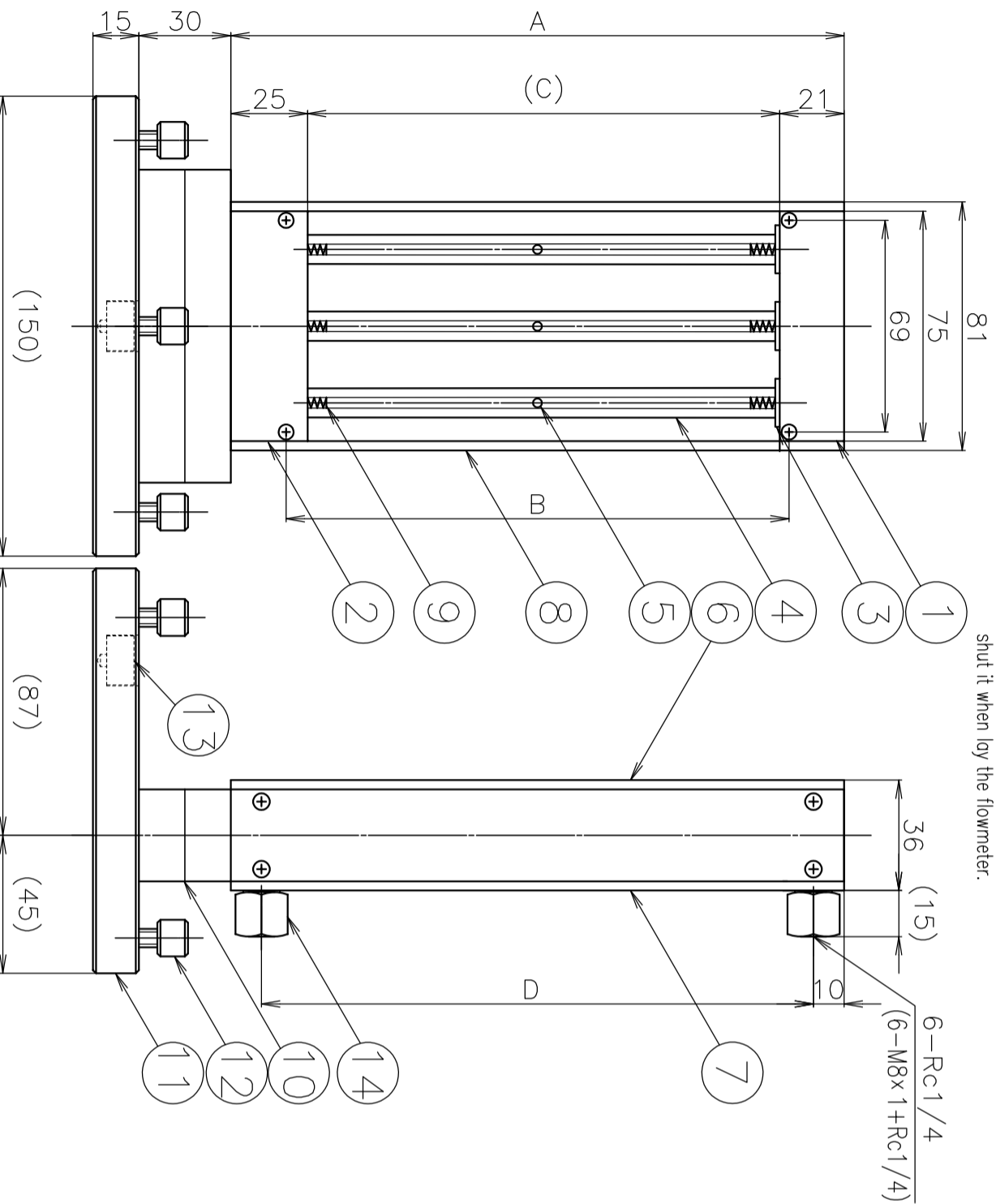
Connection:

Floot:

Remarks:



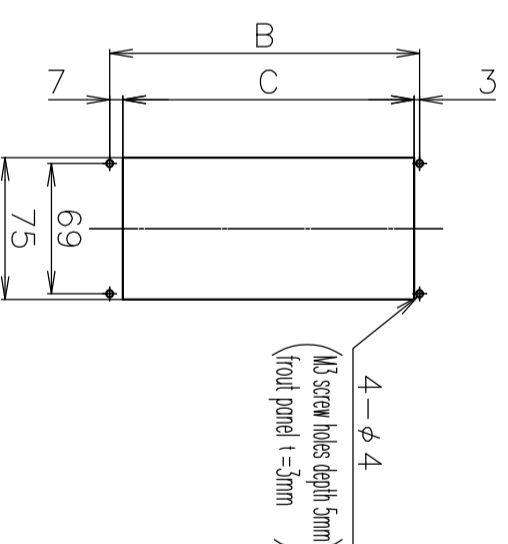
CAUTION!
To prevent breaking glass by float, DO NOT put pressure change directly on this flowmeter in case you set electromagnetic valve, open and shut it when lay the flowmeter.



Dimensions of each section by nominal size (mm)

nominal part	12	15	20	25
A	120	150	200	250
B	84	114	164	214
C	74	104	154	204
D	100	130	180	230

Cut Out Dimensions



Panel flush mounting (tighten with front panel cover)

Dimension in mm size

14	Connecting joint	Brass	316 Stainless steel	6
13	Water level	—	—	1
12	Roulette screw	303 Stainless steel	—	3
11	Stand	Clear acrylic resin	—	1
10	Mounting base	Clear acrylic resin	—	2
9	Stopper	316 Stainless steel	—	6
8	Side plate	Al	—	2
7	Back plate	Yellow acrylic resin	—	1
6	Front plate	Clear acrylic resin	—	1
5	Floot	Hard glass or 316 Stainless steel	316 Stainless steel	3
4	Tube	Hard glass	—	3
3	Sticker screw	Brass	316 Stainless steel	3
2	Lower block	Brass	316 Stainless steel	1
1	Upper block	Brass	316 Stainless steel	1

No.	NAME	B	SS	Qt.	NOTES
SPECIFICATION					

SCALE	1/2
3RD ANGLE PROJ.	R E V

KOFLOC Corp.

DESIGNED	DRAWN	CHECKED	APPROVED
----------	-------	---------	----------

DATE / /

Standard Specifications

Flow range	Various standard ranges from 0.5 to 5mL/min and 2 to 20L/min	
Fluids (Air conversion-atm)	Standard gases: AIR, N ₂ , O ₂ , H ₂ , He, Ar, CO ₂ * Calculating calibration for other gases and consult about calibration of using gas	
Proof pressure	0.5MPa(G)	
Accuracy	F.S.±2% (Measurement point)	
Available scale	10:1	
Temperature resistance	MAX60°C	
Connection end	Rc1/4 (Standard) φ6 hoses nipple, φ8 hoses nipple, etc. (Optional)	
Fluid contact materials	B Brass, 316 stainless steel, NBR, Hard glass, (PTFE, 6-6N/lon)	SS 316 stainless steel, FKM, Hard glass (PTFE, 6-6N/lon)

Dwg. No. FR320094A1

Name Multi flowmeter MODEL RK1404

Customer

MODEL : RK1404-
Specifications

Fluid:

Flow rate:

Total length: (with Stand)

Material:

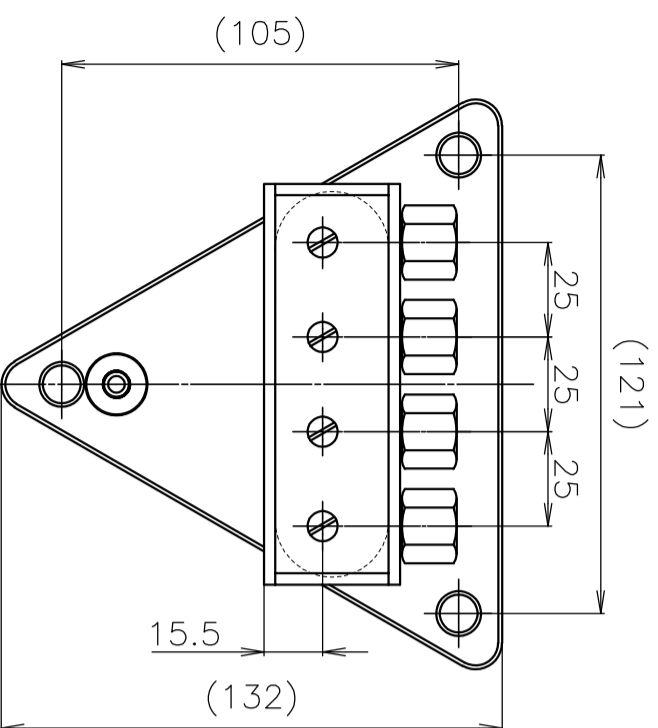
Temperature:

Connection:

Floot:

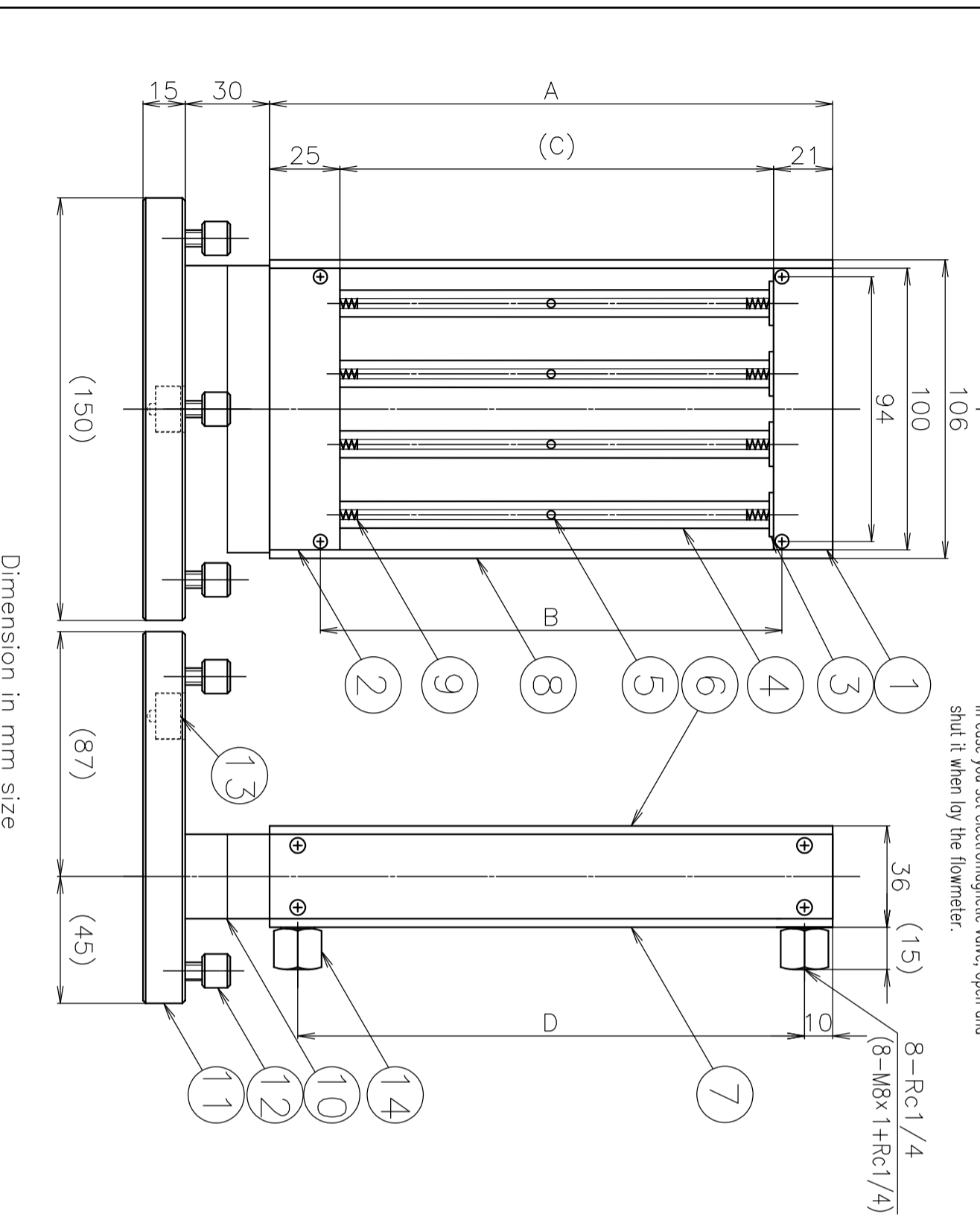
Remarks:

CAUTION!
To prevent breaking glass by float, DO NOT put pressure change directly on this flowmeter in case you set electromagnetic valve, open and shut it when lay the flowmeter.

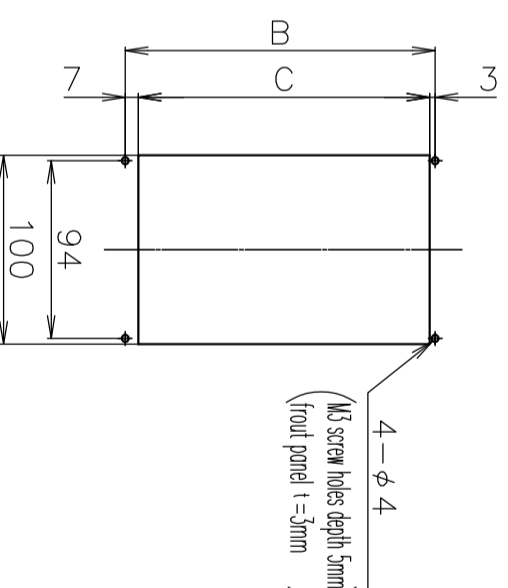


Dimensions of each section
by nominal size (mm)

nominal part	12	15	20	25
A	120	150	200	250
B	84	114	164	214
C	74	104	154	204
D	100	130	180	230



Cut Out Dimensions



Panel flush mounting
(tighten with front panel cover)

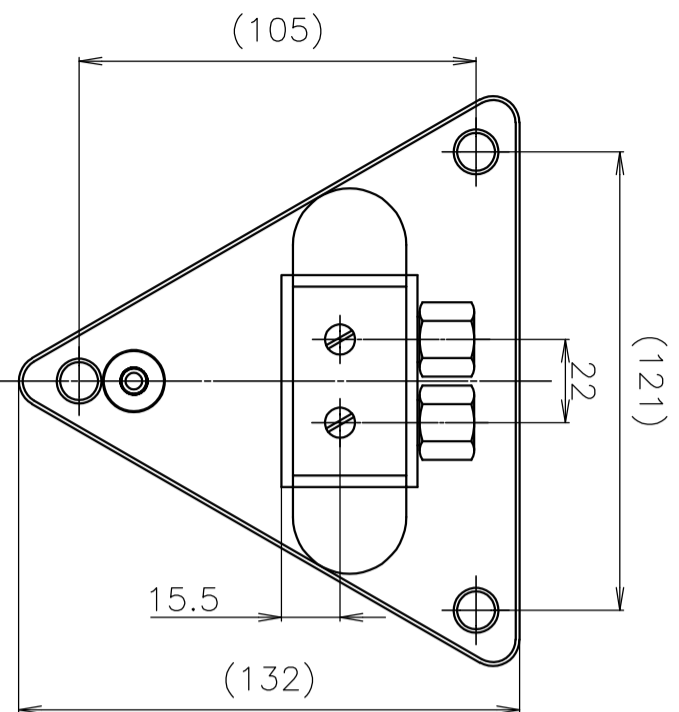
Dimension in mm size

14	Connecting joint	Brass	316 Stainless steel	8	
13	Water level			1	
12	Roulette screw	303	Stainless steel	3	
11	Stand	Clear acrylic resin		1	
10	Mounting base	Clear acrylic resin		2	
9	Stopper	316	Stainless steel	8	
8	Side plate	Al		2	
7	Back plate	Yellow acrylic resin		1	
6	Front plate	Clear acrylic resin		1	
5	Floot	Hard glass or 316 Stainless steel		4	
4	Tube	Hard glass		4	
3	Sticker screw	Brass	316 Stainless steel	4	
2	Lower block	Brass	316 Stainless steel	1	
1	Upper block	Brass	316 Stainless steel	1	
No.	NAME	B	SS	Qt.	NOTES
SCALE 1/2		R			
3RD ANGLE PROJ.		E			
		V			

KOFLOC Corp.

DESIGNED DRAWN CHECKED APPROVED

DATE / /

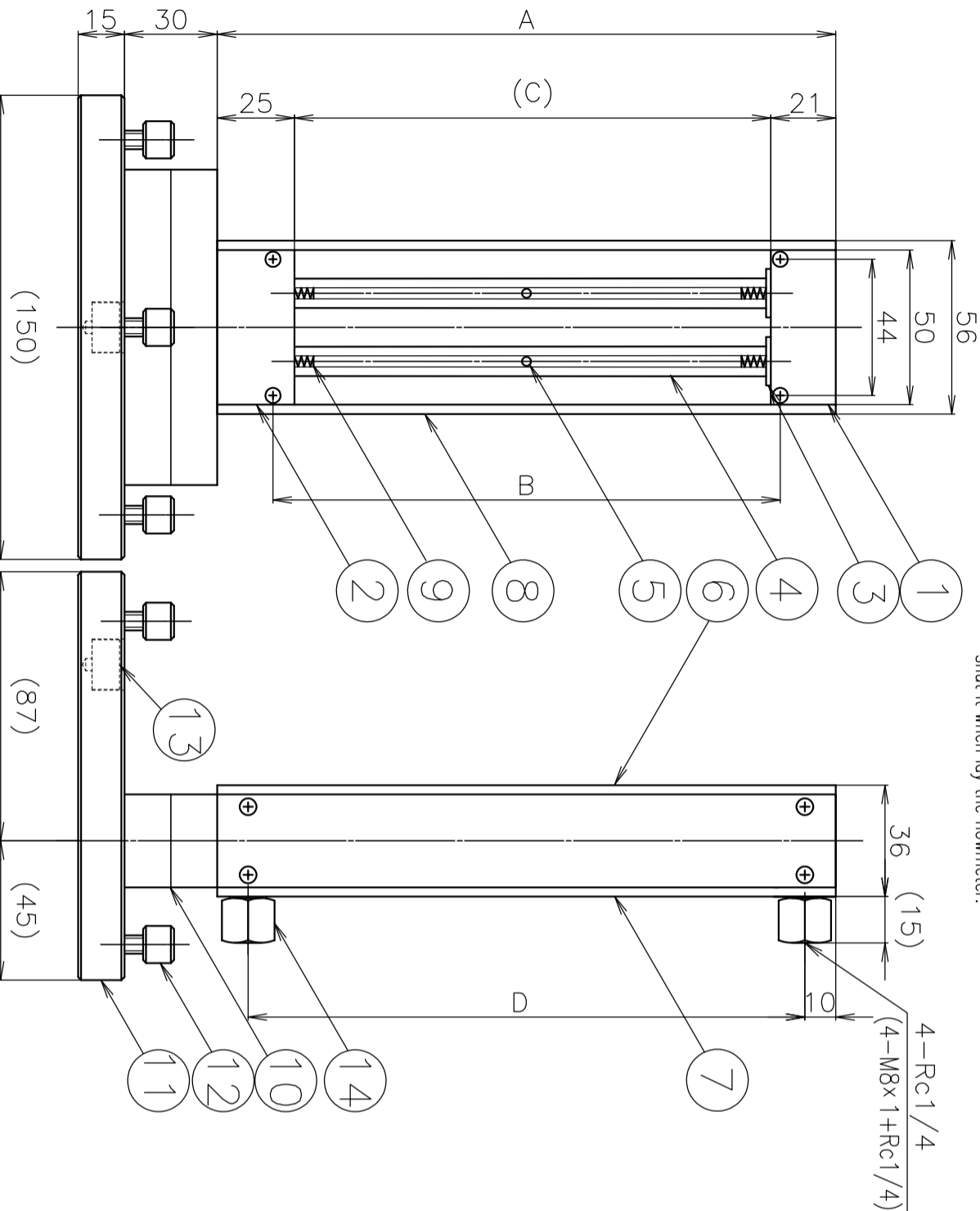


Standard Specifications

Flow range	Various standard ranges from 0.5 to 5mL/min and 2 to 20L/min	
Fluids (Air conversion-atm)	Standard gases: AIR, N ₂ , O ₂ , H ₂ , He, Ar, CO ₂ * Calculating calibration for other gases and consult about calibration of using gas	
Proof pressure	0.5MPa(G)	
Accuracy	F.S.±2% (Measurement point)	
Available scale	10:1	
Temperature resistance	MAX60°C	
Connection end	Rc1/4 (Standard) ø 6 hoses nipple, ø 8 hoses nipple, etc. (Optional)	
Fluid contact materials	B Brass, 316 stainless steel, NBR, Hard glass, (PTFE, 6-6Nylon)	SS 316 stainless steel, FKM, Hard glass (PTFE, 6-6Nylon)

CAUTION!

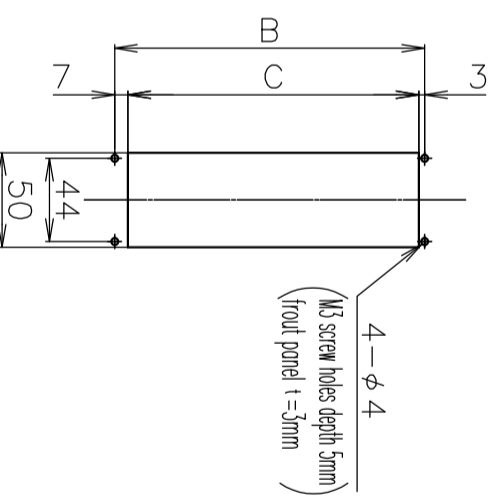
To prevent breaking glass by float, DO NOT put pressure change directly on this flowmeter in case you set electromagnetic valve, open and shut it when lay the flowmeter.



Dimensions of each section by nominal size (mm)

nominal part	12	15	20	25
A	120	150	200	250
B	84	114	164	214
C	74	104	154	204
D	100	130	180	230

Cut Out Dimensions



Panel flush mounting (tighten with front panel cover)

Dimension in mm size

Dwg. No. FR320092A1

Name Multi flowmeter MODEL RK1402

Customer

MODEL: RK1402- Specifications

Fluid:

Flow rate:

Total length: (with Stand)

Material:

Temperature:

Connection:

Float:

Remarks:

14	Connecting joint	Brass	316 Stainless steel	4	
13	Water level			1	
12	Roulette screw	303 Stainless steel		3	
11	Stand	Clear acrylic resin		1	
10	Mounting base	Clear acrylic resin		2	
9	Stopper	316 Stainless steel		4	
8	Side plate	Al		2	
7	Back plate	Yellow acrylic resin		1	
6	Front plate	Clear acrylic resin		1	
5	Float	Hard glass or 316 Stainless steel		2	
4	Tube	Hard glass		2	
3	Sticker screw	Brass	316 Stainless steel	2	
2	Lower block	Brass	316 Stainless steel	1	
1	Upper block	Brass	316 Stainless steel	1	
No.	NAME	SPECIFICATION		Qt.	NOTES
SCALE	1/2	R	E		
		V			
3RD ANGLE PROJ.					

KOFLOC Corp.

DESIGNED DRAWN CHECKED APPROVED

DATE