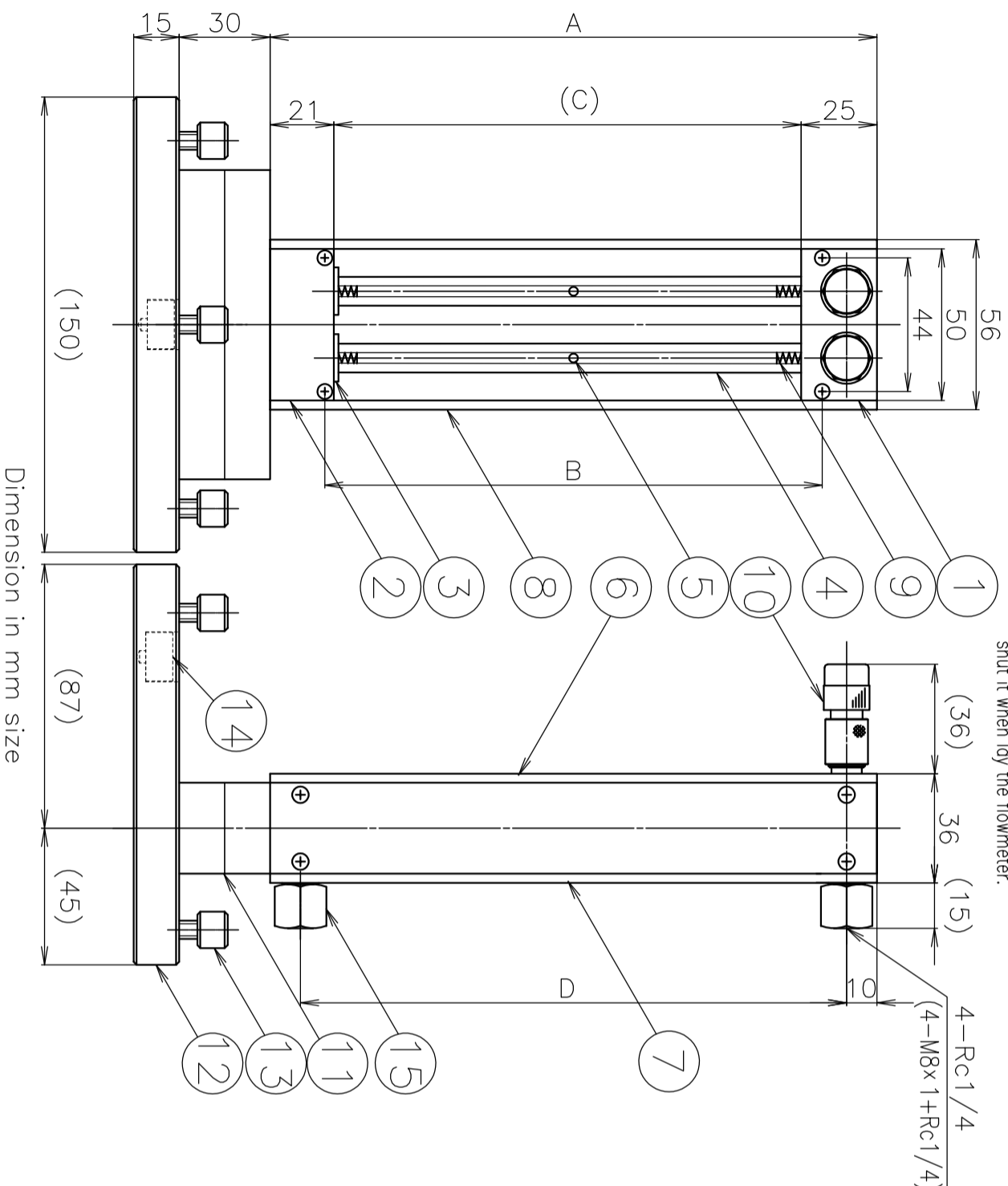


Standard Specifications

Flow range	Various standard ranges from 0.5 to 5mL/min and 2 to 20L/min	
Fluids (Air conversion-dtm)	Standard gases: Air, N ₂ , O ₂ , H ₂ , He, Ar, CO ₂ * Calculating calibration for other gases and consult about calibration of using gas	
Proof pressure	0.5MPa(G)	
Accuracy	F.S. ±2% (Measurement point)	
Available scale	10:1	
Temperature resistance	MAX60°C	
Needle valve	Precision needle valve model 2412	
Connection end	Rc1/4 (Standard) φ6 hoses nipple, φ8 hoses nipple, etc. (Optional)	
Fluid contact materials	B Brass, 316 stainless steel, NBR, POM, Hard glass, (PTFE, 6-8Nylon)	SS 316 stainless steel, FKM, PCTFE, Hard glass, (PTFE, 6-8Nylon)

Dwg. No.	FR320084A1
Name	Multi flowmeter with precision needle valve MODEL RK1202 (Outline needed)
Customer	
MODEL: RK1202-**-D	
Specifications	
Fluid:	
Flow rate:	
Total length:	(with Stand)
Material:	
Pressure:	(inlet) (outlet)
Temperature:	
Connection:	
Floot:	
Remarks:	

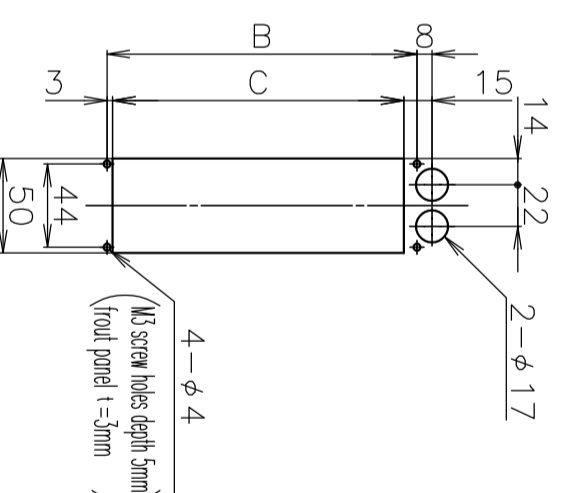
CAUTION!
To prevent breaking glass by float, DO NOT put pressure change directly on this flowmeter in case you set electromagnetic valve, open and shut it when lay the flowmeter.



Dimensions of each section by nominal size (mm)

nominal part	12	15	20	25
A	120	150	200	250
B	84	114	164	214
C	74	104	154	204
D	100	130	180	230

Cut Out Dimensions



Panel flush mounting
(tighten with front panel cover)

15	Connecting joint	Brass	316 Stainless steel	4	
14	Water level			1	
13	Roulette screw	303 Stainless steel		3	
12	Stand	Clear acrylic resin		1	
11	Mounting base	Clear acrylic resin		2	
10	Needle valve			2	
9	Stopper	316 Stainless steel		4	
8	Side plate	Al		2	
7	Back plate	Yellow acrylic resin		1	
6	Front plate	Clear acrylic resin		1	
5	Floot	Hard glass or 316 Stainless steel		2	
4	Tube	Hard glass		2	
3	Sticker screw	Brass	316 Stainless steel	2	
2	Lower block	Brass	316 Stainless steel	1	
1	Upper block	Brass	316 Stainless steel	1	
No.	NAME	B	SS	Qt.	NOTES
SCALE		1/2			
3RD ANGLE PROJ.		R E V			

KOFLOC Corp.

DESIGNED DRAWN CHECKED APPROVED

DATE

Standard Specifications

Flow range	Various standard ranges from 0.5 to 5mL/min and 2 to 20L/min	
Fluids (Air conversion-dtm)	Standard gases: Air, N ₂ , O ₂ , H ₂ , He, Ar, CO ₂ * Calculating calibration for other gases and consult about calibration of using gas	
Proof pressure	0.5MPa(G)	
Accuracy	F.S. ±2% (Measurement point)	
Available scale	10:1	
Temperature resistance	MAX60°C	
Needle valve	Precision needle valve model 2412	
Connection end	Rc1/4 (Standard) φ6 hoses nipple, φ8 hoses nipple, etc. (Optional)	
Fluid contact materials	B Brass, 316 stainless steel, NBR, POM, Hard glass, (PTFE, 6-6Nylon)	SS 316 stainless steel, FKM, PCTFE, Hard glass, (PTFE, 6-6Nylon)

Dwg. No. FR320085A1

Name Multi-flowmeter with precision needle valve
MODEL RK1203 (inline needle)

Customer

MODEL: RK1203-**-D
Specifications

Fluid:

Flow rate:

Total length: (with Stand)

Material:

Pressure: (inlet) (outlet)

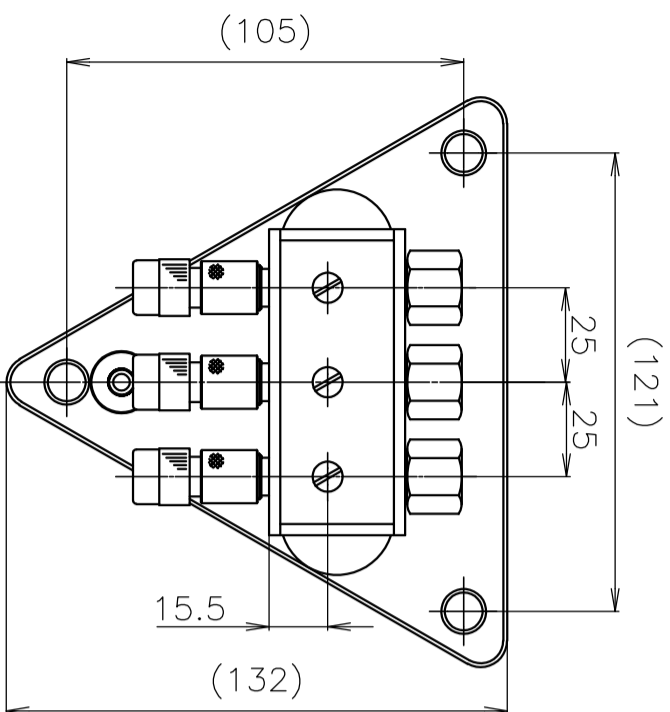
Temperature:

Connection:

Floot:

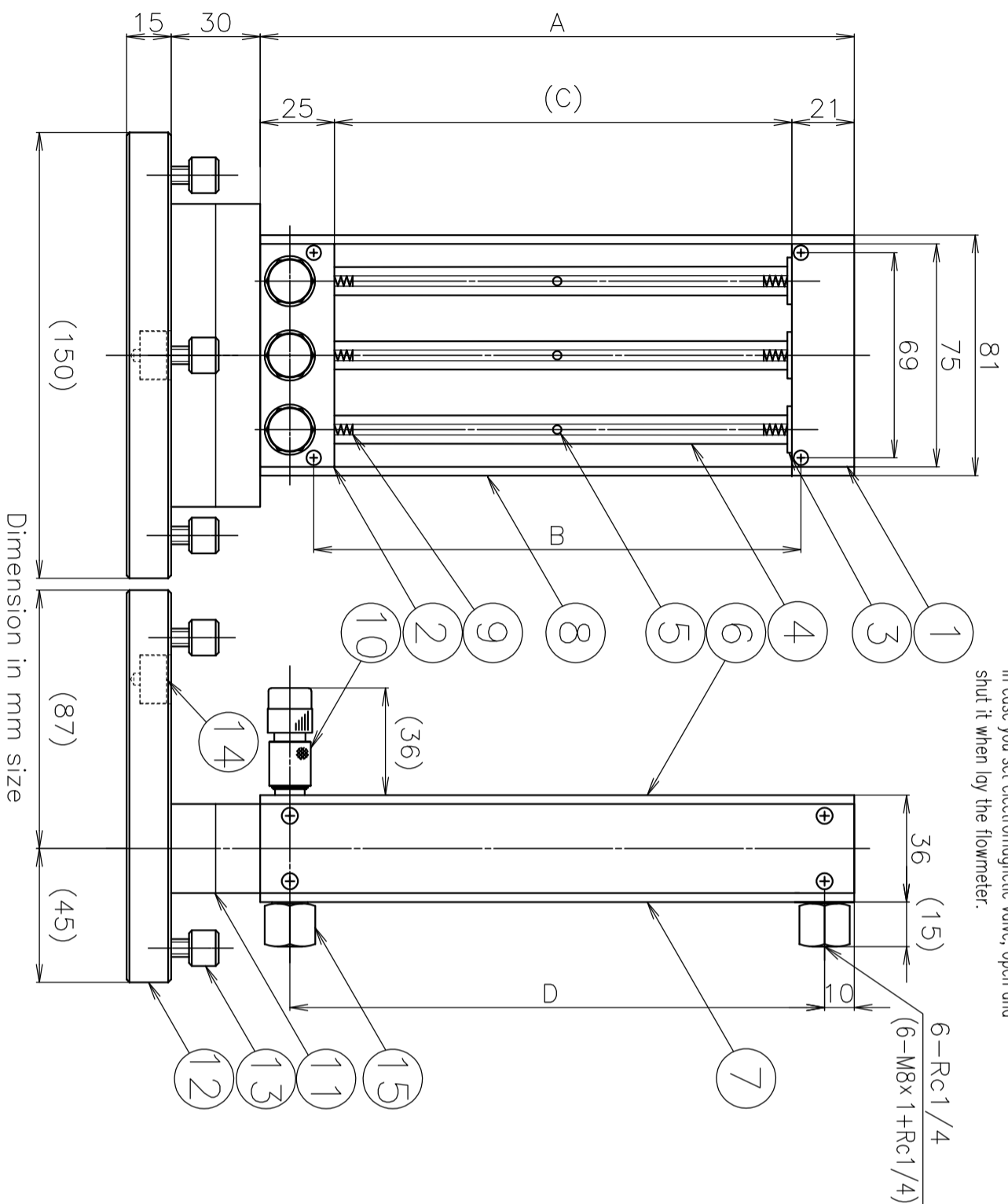
Remarks:

CAUTION!
To prevent breaking glass by float, DO NOT put pressure change directly on this flowmeter in case you set electromagnetic valve, open and shut it when lay the flowmeter.

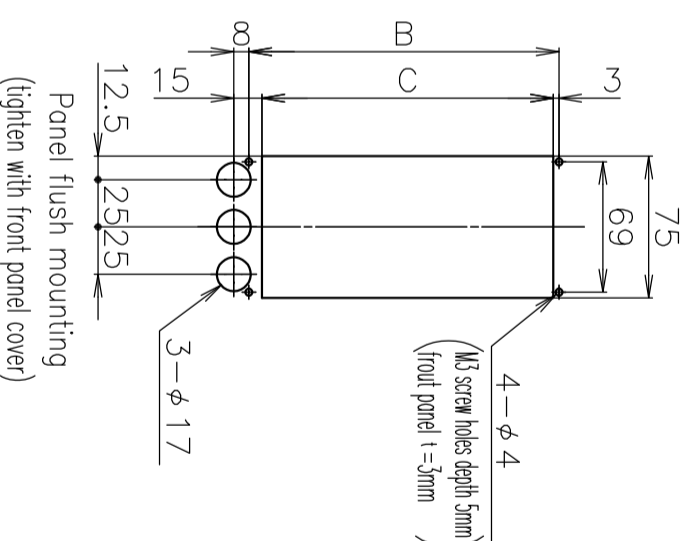


Dimensions of each section by nominal size (mm)

nominal part	12	15	20	25
A	120	150	200	250
B	84	114	164	214
C	74	104	154	204
D	100	130	180	230



Cut Out Dimensions



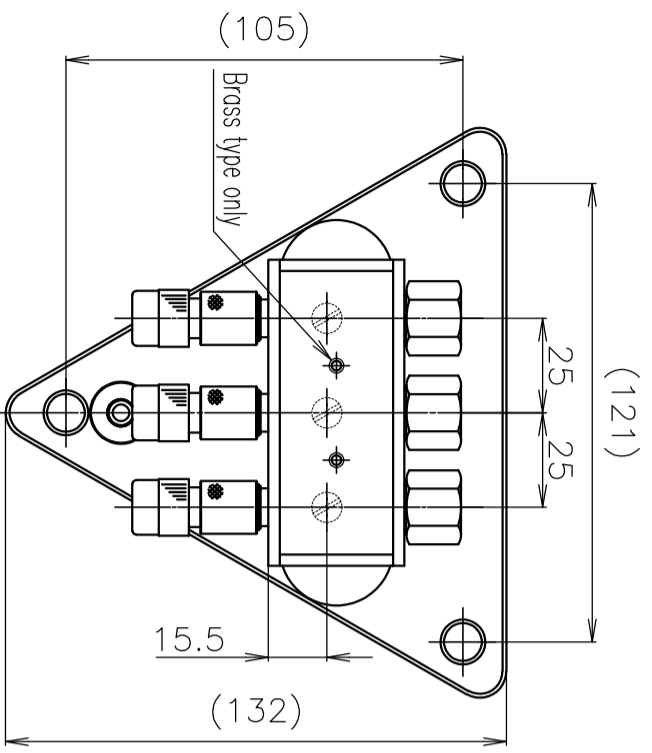
Panel flush mounting (tighten with front panel cover)

15	Connecting joint	Brass	316 Stainless steel	6	
14	Water level			1	
13	Roulette screw	303 Stainless steel		3	
12	Stand	Clear acrylic resin		1	
11	Mounting base	Clear acrylic resin		2	
10	Needle valve			3	
9	Stopper	316 Stainless steel		6	
8	Side plate	Al		2	
7	Back plate	Yellow acrylic resin		1	
6	Front plate	Clear acrylic resin		1	
5	Floot	Hard glass or 316 Stainless steel	316 Stainless steel	3	
4	Tube	Hard glass		3	
3	Sticker screw	Brass	316 Stainless steel	3	
2	Lower block	Brass	316 Stainless steel	1	
1	Upper block	Brass	316 Stainless steel	1	
No.	NAME	B	SS	Qt.	NOTES
SCALE	1/2	R	E		
		V			
3RD ANGLE PROJ.					

KOFLOC Corp.

DESIGNED DRAWN CHECKED APPROVED

DATE / /

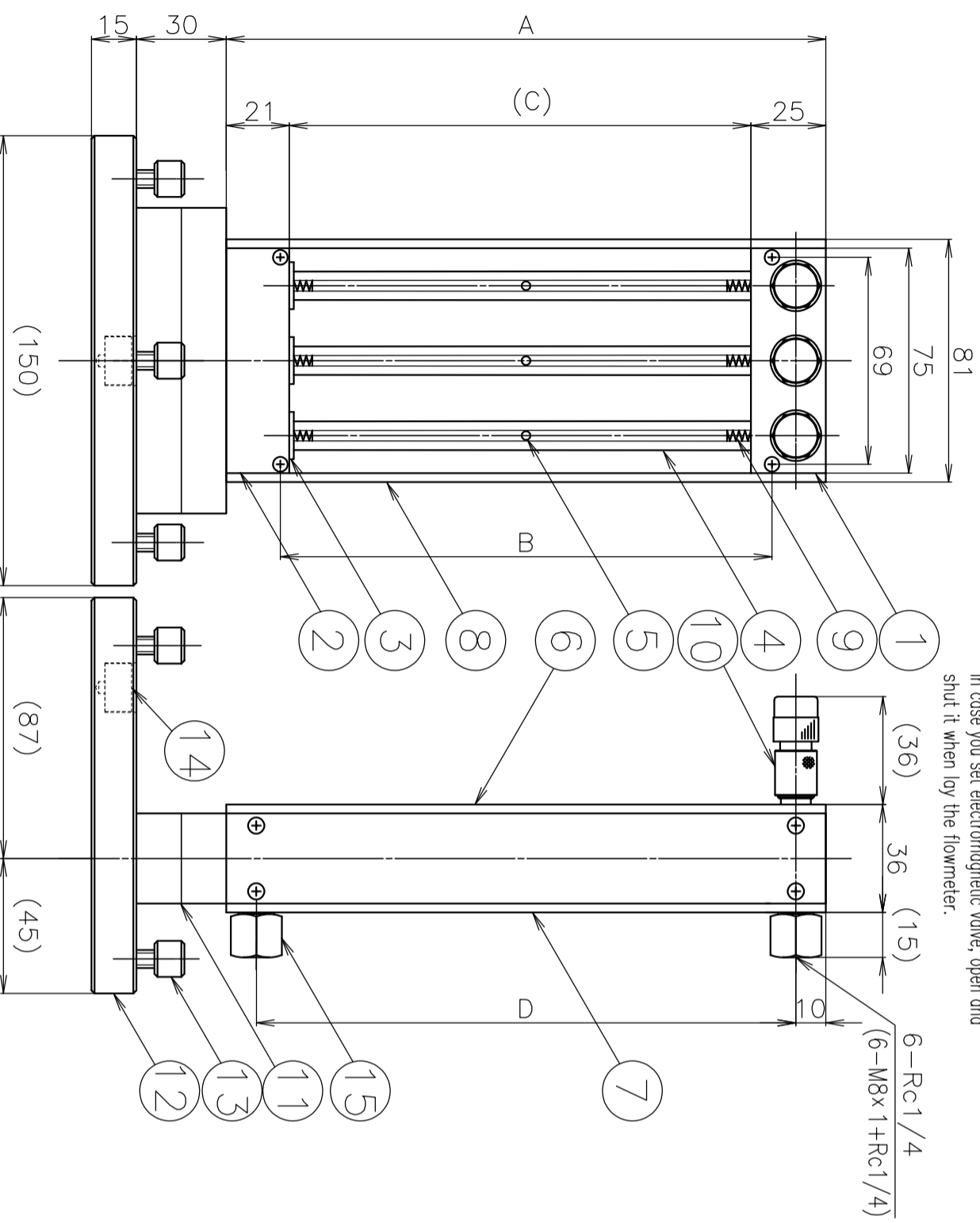


Standard Specifications

Flow range	Various standard ranges from 0.5 to 5mL/min and 2 to 20L/min	
Fluids (Air conversion-dtm)	Standard gases: Air, N ₂ , O ₂ , H ₂ , He, Ar, CO ₂ * Calculating calibration for other gases and consult about calibration of using gas	
Proof pressure	0.5MPa(G)	
Accuracy	F.S. ±2% (Measurement point)	
Available scale	10:1	
Temperature resistance	MAX60°C	
Needle valve	Precision needle valve model 2412	
Connection end	Rc1/4 (Standard) φ6 hoses nipple, φ8 hoses nipple, etc. (Optional)	
Fluid contact materials	B Brass, 316 stainless steel, NBR, POM, Hard glass, (PTFE, 6-8Nylon)	SS 316 stainless steel, FKM, PCTFE, Hard glass, (PTFE, 6-8Nylon)

CAUTION!

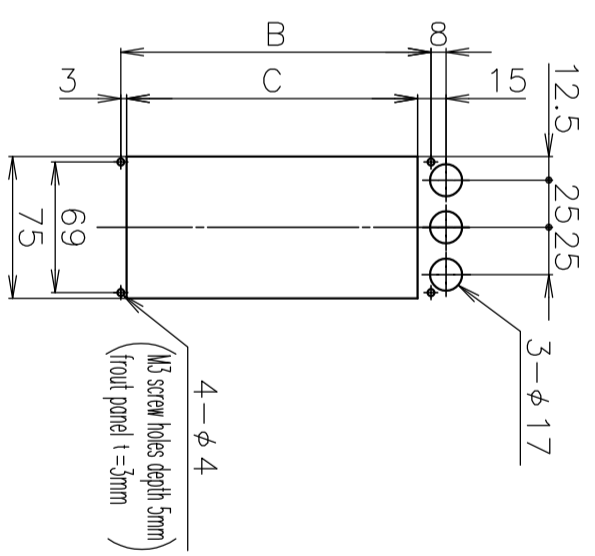
To prevent breaking glass by float, **DO NOT** put pressure change directly on this flowmeter in case you set electromagnetic valve, open and shut it when lay the flowmeter.



Dimensions of each section by nominal size (mm)

nominal part	12	15	20	25
A	120	150	200	250
B	84	114	164	214
C	74	104	154	204
D	100	130	180	230

Cut Out Dimensions



Panel flush mounting (tighten with front panel cover)

Dwg. No.	FR320086A1
Name	Multi flowmeter with precision needle valve MODEL RK1203 (Outline needed)
Customer	
MODEL	RK1203-**-U
Specifications	
Fluid:	
Flow rate:	
Total length:	(with Stand)
Material:	
Pressure:	(inlet) (outlet)
Temperature:	
Connection:	
Floot:	
Remarks:	

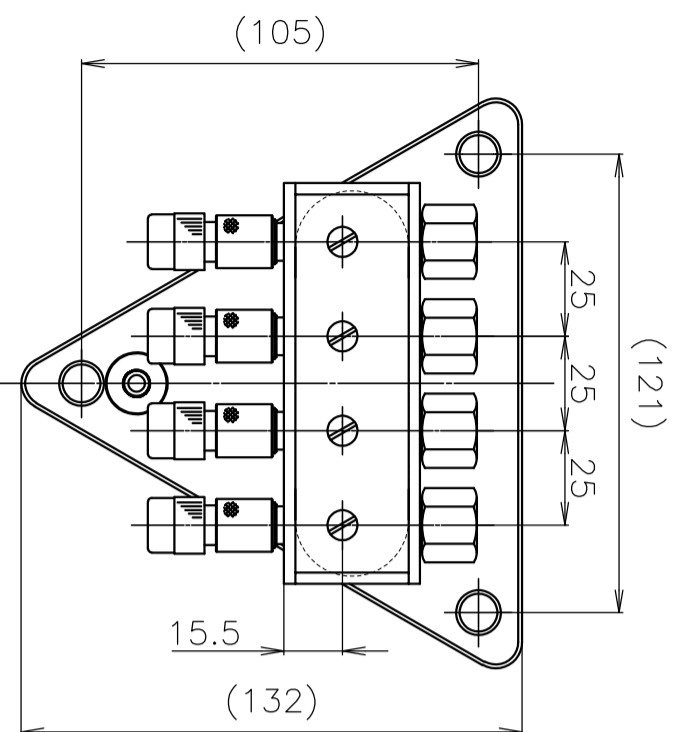
15	Connecting joint	Brass	316 Stainless steel	6	
14	Water level			1	
13	Roulette screw	303 Stainless steel		3	
12	Stand	Clear acrylic resin		1	
11	Mounting base	Clear acrylic resin		2	
10	Needle valve			3	
9	Stopper	316 Stainless steel		6	
8	Side plate	Al		2	
7	Back plate	Yellow acrylic resin		1	
6	Front plate	Clear acrylic resin		1	
5	Floot	Hard glass or Stainless steel	316 Stainless steel	3	
4	Tube	Hard glass		3	
3	Sticker screw	Brass	316 Stainless steel	3	
2	Lower block	Brass	316 Stainless steel	1	
1	Upper block	Brass	316 Stainless steel	1	
No.	NAME	B	SS	Qt.	NOTES
SCALE	1/2	R	E		
	3RD ANGLE PROJ.	V			

KOFLOC Corp.

DESIGNED	DRAWN	CHECKED	APPROVED
----------	-------	---------	----------

DATE / /

Dimension in mm size



Standard Specifications

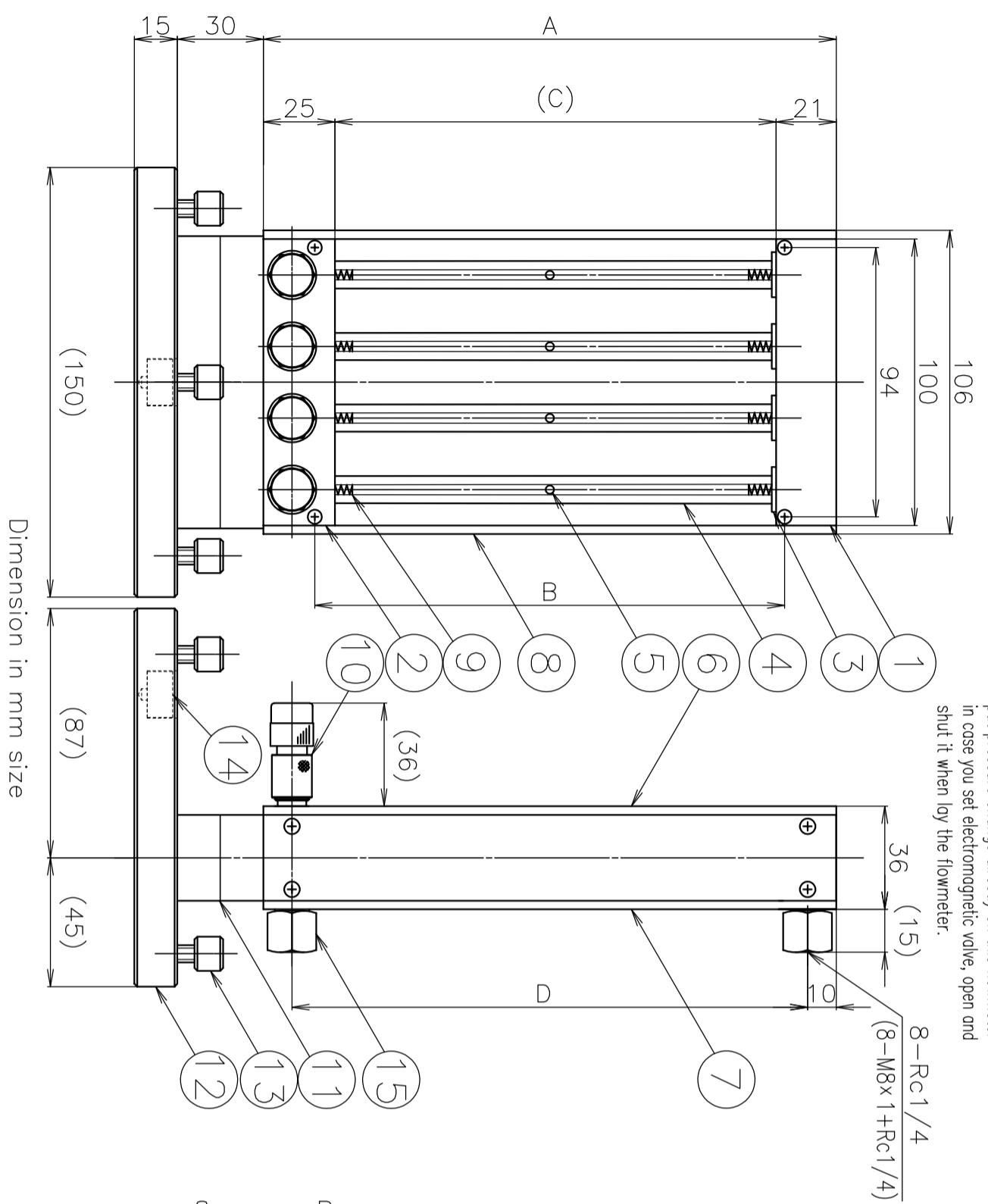
Flow range	Various standard ranges from 0.5 to 5mL/min and 2 to 20L/min	
Fluids (Air conversion-dtm)	Standard gases: Air, N ₂ , O ₂ , H ₂ , He, Ar, CO ₂ * Calculating calibration for other gases and consult about calibration of using gas	
Proof pressure	0.5MPa(G)	
Accuracy	F.S. ±2% (Measurement point)	
Available scale	10:1	
Temperature resistance	MAX60°C	
Needle valve	Precision needle valve model 2412	
Connection end	Rc1/4 (Standard) φ6 hoses nipple, φ8 hoses nipple, etc. (Optional)	
Fluid contact materials	B Brass, 316 stainless steel, NBR, POM, Hard glass, (PTFE, 6-6Nylon)	SS 316 stainless steel, FKM, PCTFE, Hard glass, (PTFE, 6-6Nylon)

Dwg. No.	FR320087A1
Name	Multi flowmeter with precision needle valve MODEL RK1204 (inline needle)
Customer	
MODEL : RK1204-**-D	
Specifications	
Fluid:	
Flow rate:	
Total length:	(with Stand)
Material:	
Pressure:	(inlet) (outlet)
Temperature:	
Connection:	
Floot:	
Remarks:	

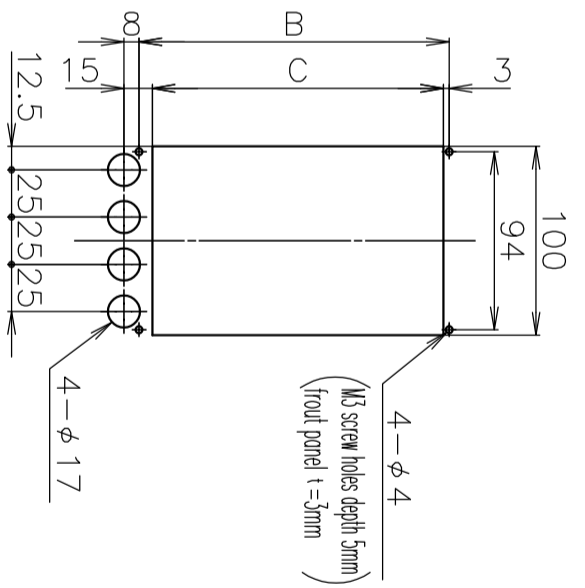
CAUTION!
To prevent breaking glass by float, **DO NOT** put pressure change directly on this flowmeter in case you set electromagnetic valve, open and shut it when lay the flowmeter.

Dimensions of each section by nominal size (mm)

part	12	15	20	25
A	120	150	200	250
B	84	114	164	214
C	74	104	154	204
D	100	130	180	230



Cut Out Dimensions



Panel flush mounting
(tighten with front panel cover)

15	Connecting joint	Brass	316 Stainless steel	8	
14	Water level			1	
13	Roulette screw	303 Stainless steel		3	
12	Stand	Clear acrylic resin		1	
11	Mounting base	Clear acrylic resin		2	
10	Needle valve			4	
9	Stopper	316 Stainless steel		8	
8	Side plate	Al		2	
7	Back plate	Yellow acrylic resin		1	
6	Front plate	Clear acrylic resin		1	
5	Floot	Hard glass or Stainless steel	316 Stainless steel	4	
4	Tube	Hard glass		4	
3	Sticker screw	Brass	316 Stainless steel	4	
2	Lower block	Brass	316 Stainless steel	1	
1	Upper block	Brass	316 Stainless steel	1	
No.	NAME	B	SS	Qt.	NOTES
SCALE 1/2					
3RD ANGLE PROJ. R E V					

KOFLOC Corp.

DESIGNED DRAWN CHECKED APPROVED

DATE / /

Dimension in mm size

Standard Specifications

Flow range	Various standard ranges from 0.5 to 5mL/min and 2 to 20L/min	
Fluids (Air conversion-dtm)	Standard gases: AIR, N ₂ , O ₂ , H ₂ , He, Ar, CO ₂ * Calculating calibration for other gases and consult about calibration of using gas	
Proof pressure	0.5MPa(G)	
Accuracy	F.S.±2% (Measurement point)	
Available scale	10:1	
Temperature resistance	MAX60°C	
Needle valve	Precision needle valve model 2412	
Connection end	Rc1/4 (Standard) φ6 hoses nipple, φ8 hoses nipple, etc. (Optional)	
Fluid contact materials	B Brass, 316 stainless steel, NBR, POM, Hard glass, (PTFE, 6-6Nylon)	SS 316 stainless steel, FKM, PCTFE, Hard glass, (PTFE, 6-6Nylon)

Dwg. No. FR320088A1

Name Multi flowmeter with precision needle valve
MODEL RK1204 (Outline needed)

Customer

MODEL: RK1204-**-U
Specifications

Fluid:

Flow rate:

Total length: (with Stand)

Material:

Pressure: (inlet) (outlet)

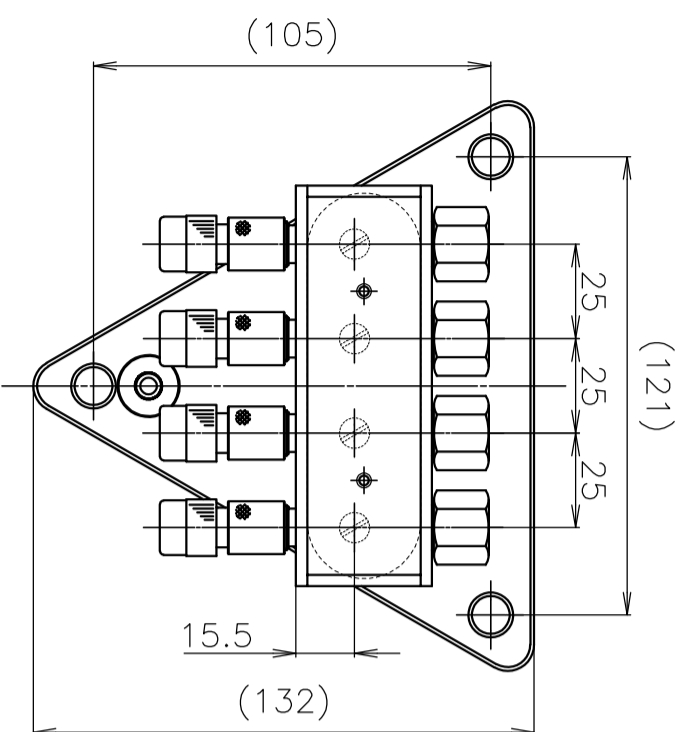
Temperature:

Connection:

Floot:

Remarks:

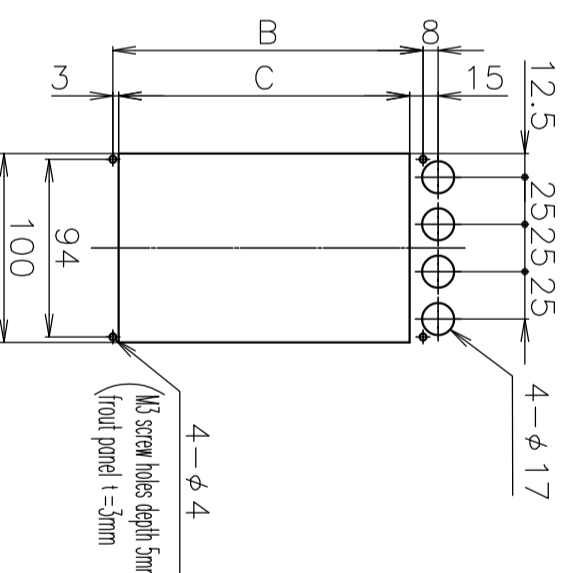
CAUTION!
To prevent breaking glass by float, DO NOT put pressure change directly on this flowmeter in case you set electromagnetic valve, open and shut it when lry the flowmeter.



Dimensions of each section by nominal size (mm)

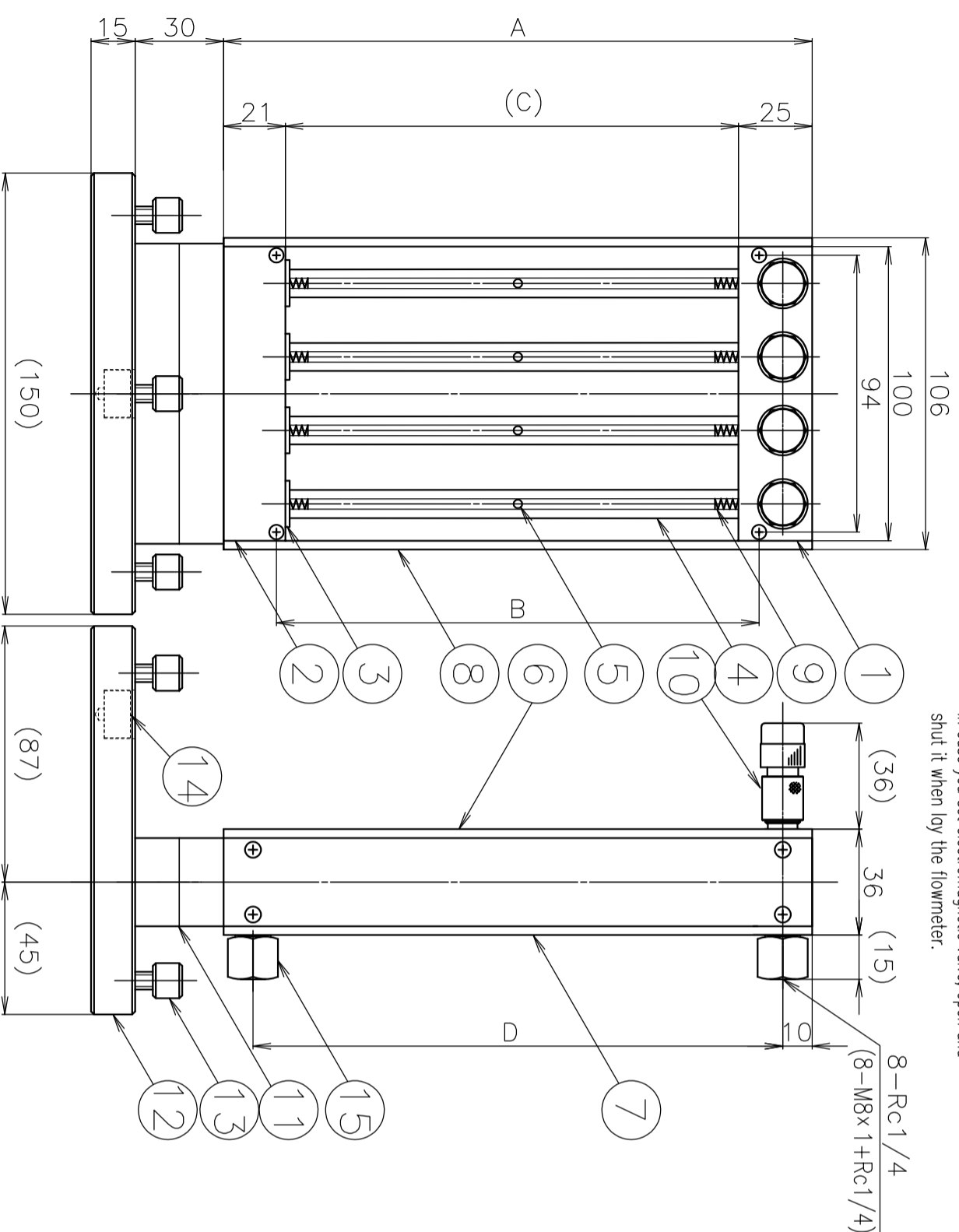
part	12	15	20	25
A	120	150	200	250
B	84	114	164	214
C	74	104	154	204
D	100	130	180	230

Cut Out Dimensions

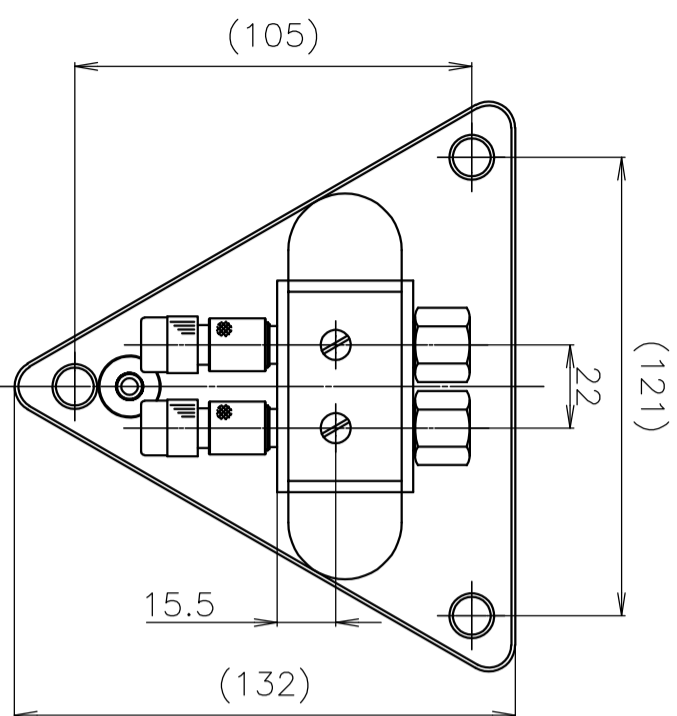


Panel flush mounting (tighten with front panel cover)

Dimension in mm size



15	Connecting joint	Brass	316 Stainless steel	8	
14	Water level	—	—	1	
13	Roulette screw	303 Stainless steel	—	3	
12	Stand	Clear acrylic resin	—	1	
11	Mounting base	Clear acrylic resin	—	2	
10	Needle valve	—	—	4	
9	Stopper	316 Stainless steel	—	8	
8	Side plate	Al	—	2	
7	Back plate	Yellow acrylic resin	—	1	
6	Front plate	Clear acrylic resin	—	1	
5	Floot	Hard glass or Stainless steel	316 Stainless steel	4	
4	Tube	Hard glass	—	4	
3	Sticker screw	Brass	316 Stainless steel	4	
2	Lower block	Brass	316 Stainless steel	1	
1	Upper block	Brass	316 Stainless steel	1	
No.	NAME	B	SS	Qt.	NOTES
SCALE	1/2	R	E	V	
3RD ANGLE PROJ.					
KOFLOC Corp.					
DESIGNED	DRAWN	CHECKED	APPROVED		
DATE					



Standard Specifications

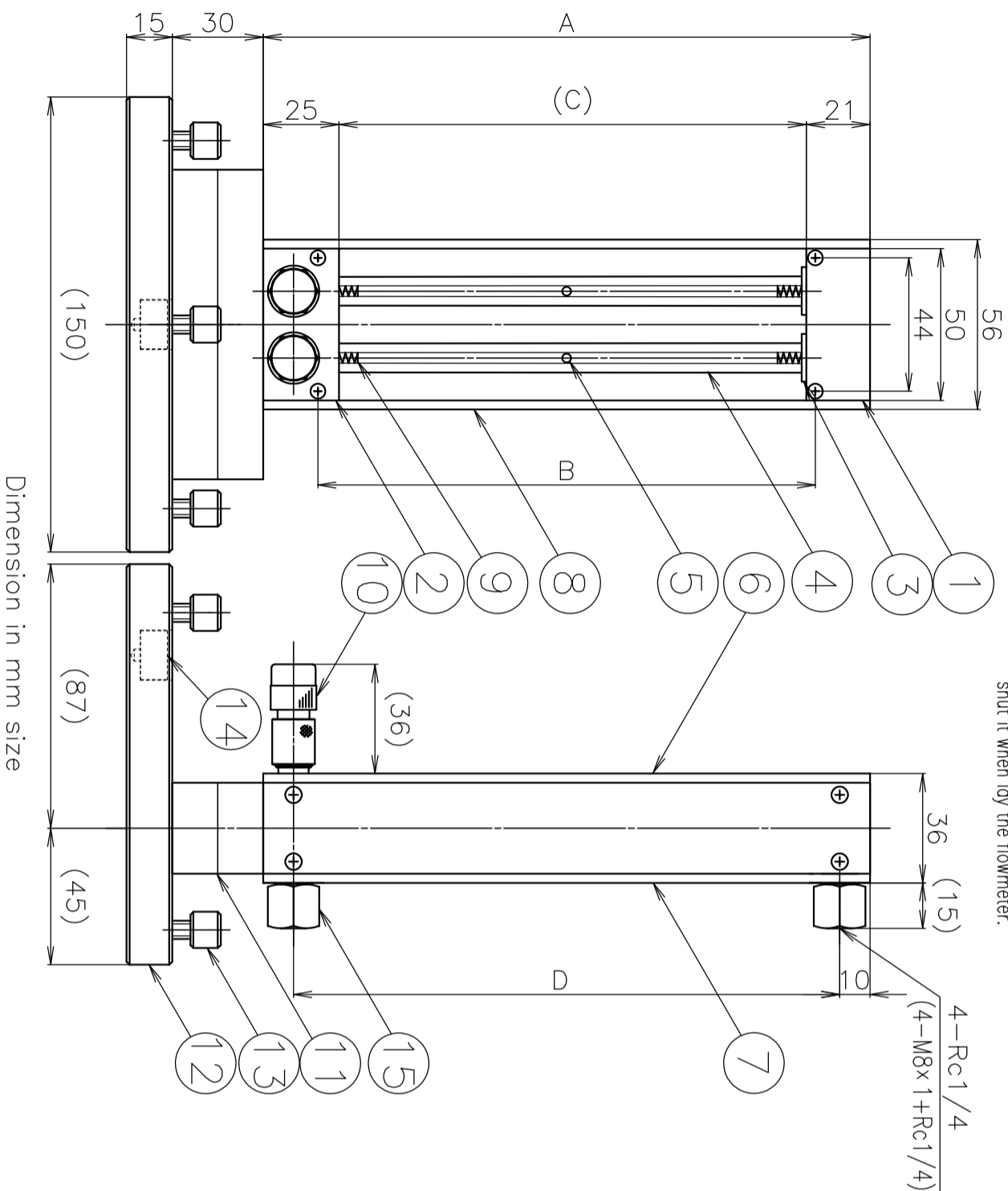
Flow range	Various standard ranges from 0.5 to 5mL/min and 2 to 20L/min	
Fluids (Air conversion-dtm)	Standard gases: Air, N ₂ , O ₂ , H ₂ , He, Ar, CO ₂ * Calculating calibration for other gases and consult about calibration of using gas	
Proof pressure	0.5MPa(G)	
Accuracy	F.S. ±2% (Measurement point)	
Available scale	10:1	
Temperature resistance	MAX60°C	
Needle valve	Precision needle valve model 2412	
Connection end	Rc1/4 (Standard) φ6 hoses nipple, φ8 hoses nipple, etc. (Optional)	
Fluid contact materials	B Brass, 316 stainless steel, NBR, POM, Hard glass, (PTFE, 6-8Nylon)	SS 316 stainless steel, FKM, PCTFE, Hard glass, (PTFE, 6-8Nylon)

Dwg. No.	FR320083A1
Name	Multi flowmeter with precision needle valve MODEL RK1202 (inline needle)
Customer	
MODEL: RK1202-**-D	
Specifications	
Fluid:	
Flow rate:	
Total length:	(with Stand)
Material:	
Pressure:	(inlet) (outlet)
Temperature:	
Connection:	
Floot:	
Remarks:	

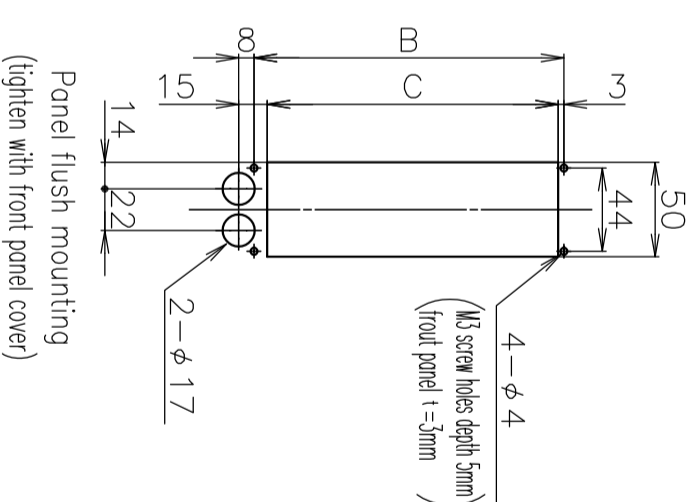
CAUTION!
To prevent breaking glass by float, DO NOT put pressure change directly on this flowmeter in case you set electromagnetic valve, open and shut it when lay the flowmeter.

Dimensions of each section by nominal size (mm)

nominal part	12	15	20	25
A	120	150	200	250
B	84	114	164	214
C	74	104	154	204
D	100	130	180	230



Cut Out Dimensions



Dimension in mm size

15	Connecting joint	Brass	316 Stainless steel	4
14	Water level			1
13	Roulette screw	303 Stainless steel		3
12	Stand	Clear acrylic resin		1
11	Mounting base	Clear acrylic resin		2
10	Needle valve			2
9	Stopper	316 Stainless steel		4
8	Side plate	Al		2
7	Back plate	Yellow acrylic resin		1
6	Front plate	Clear acrylic resin		1
5	Floot	Hard glass or 316 Stainless steel		2
4	Tube	Hard glass		2
3	Sticker screw	Brass	316 Stainless steel	2
2	Lower block	Brass	316 Stainless steel	1
1	Upper block	Brass	316 Stainless steel	1
No.	NAME	SPECIFICATION		Qt.
SCALE 1/2		B	SS	NOTES
3RD ANGLE PROJ.		R	E	
		V		

KOFLOC Corp.

DESIGNED DRAWN CHECKED APPROVED

DATE / /