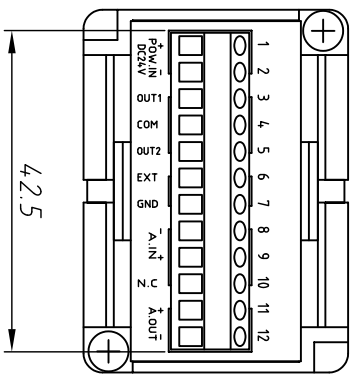
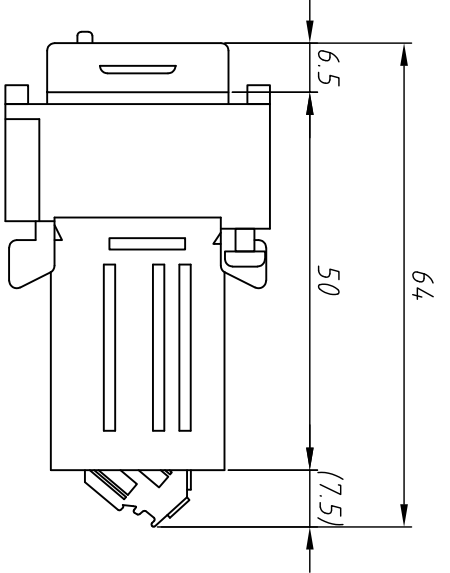
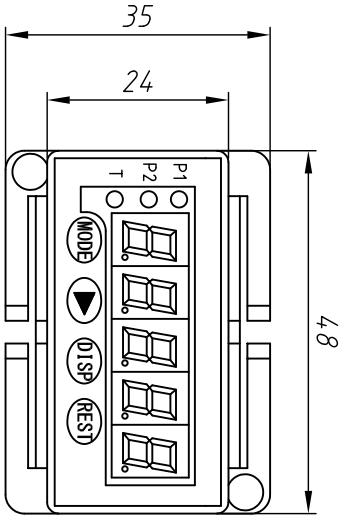
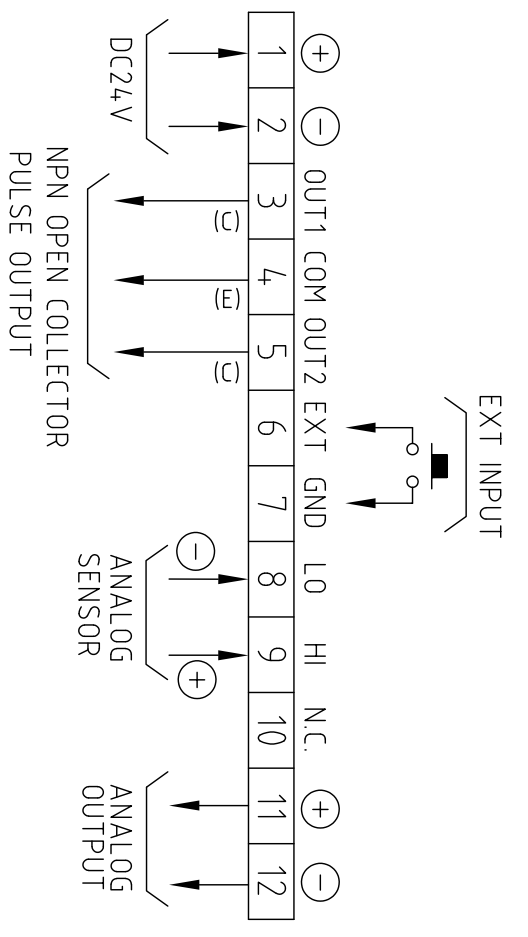


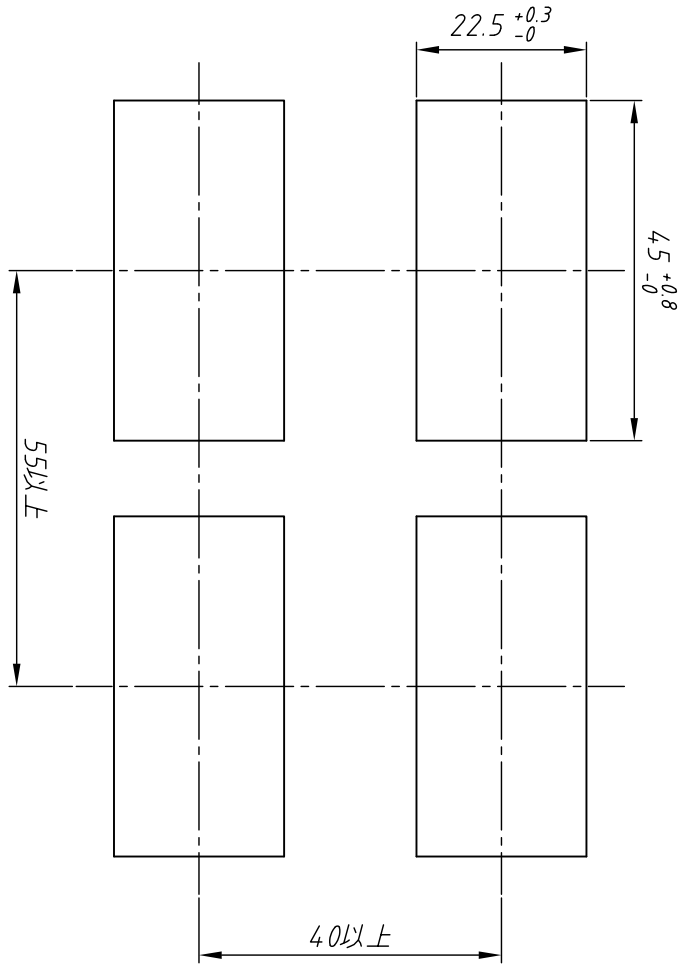
DWG. No.	MR300041A1
TITLE	DPM-24.3
CUSTOMER	



Terminal Connection



PANEL CUT SIZE

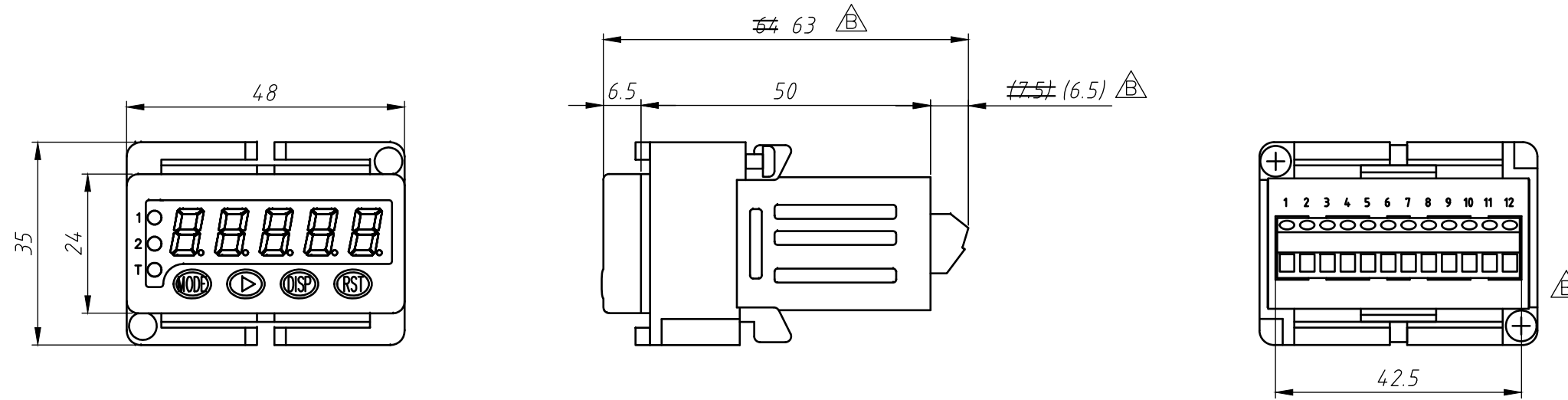


Rev.	
SCALE	1 : 1
	PROJECTION

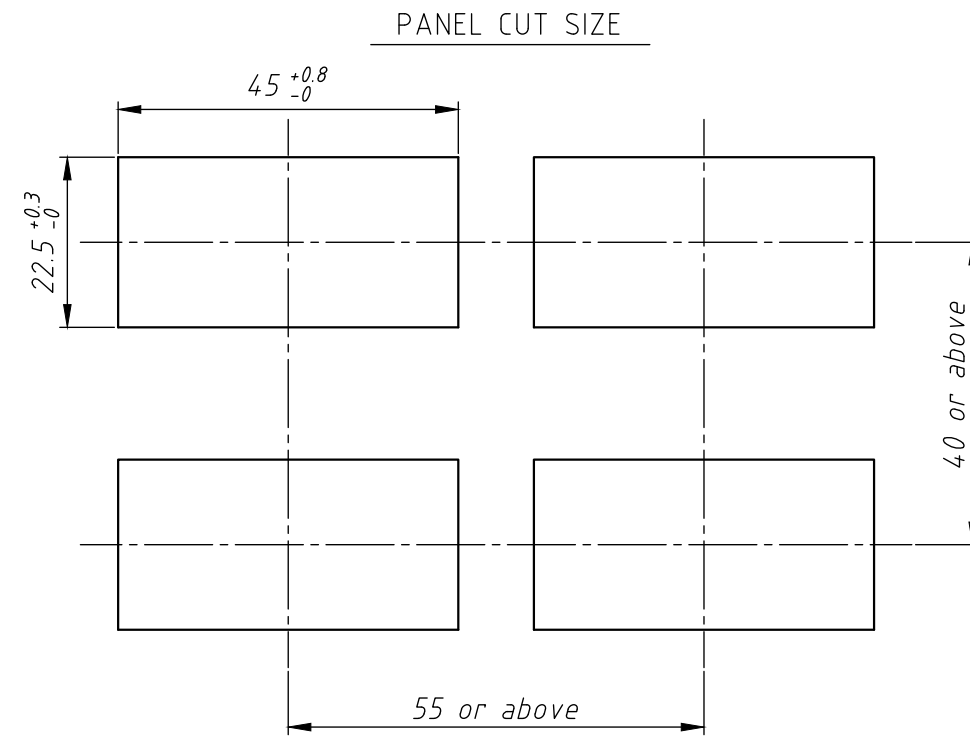
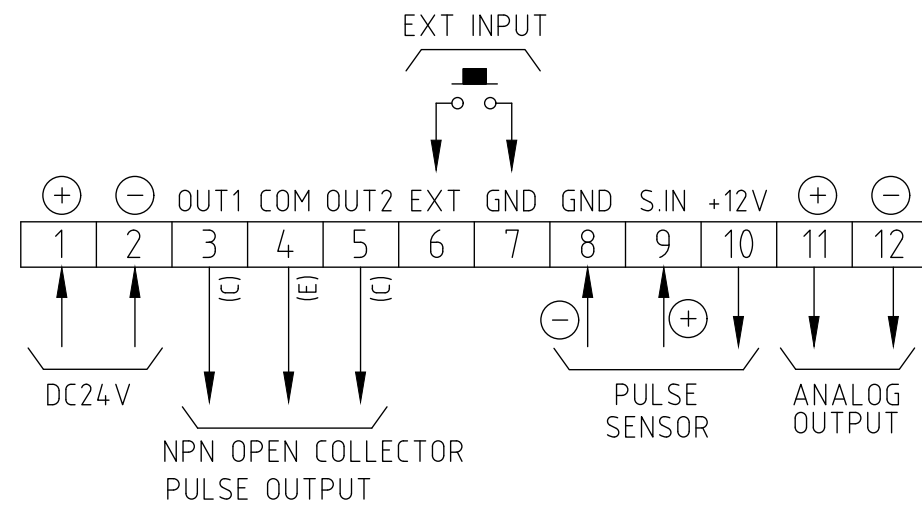
KOFLOC Corp.

DESIGNED	DRAWN	CHECKED	APPROVED
DATE	/	/	/

DWG. No.	MR300042B1
TITLE	DPM- 244 2441 \triangle
CUSTOMER	



Terminal Connection



SCALE	1 : 1	PROJECTION	
Rev.	\triangle Change the dimension,model name and rear panel. <small>Jun.16.2020</small>		
KOFLOC Corp.			
DESIGNED	DRAWN	CHECKED	APPROVED
DATE	27 / Mar / 2019		