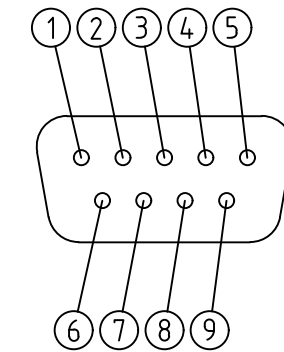
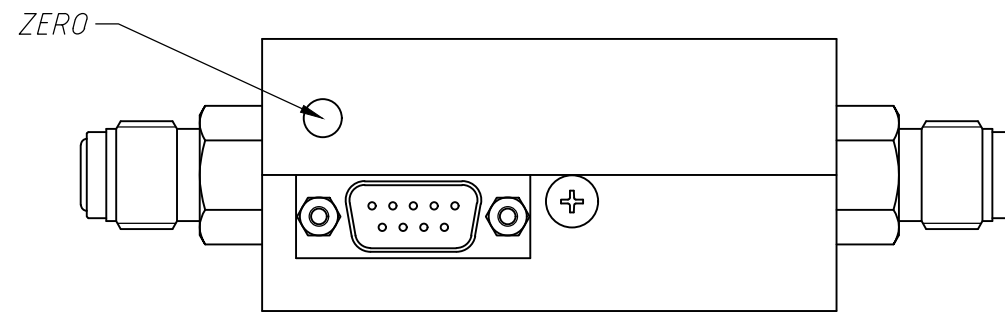
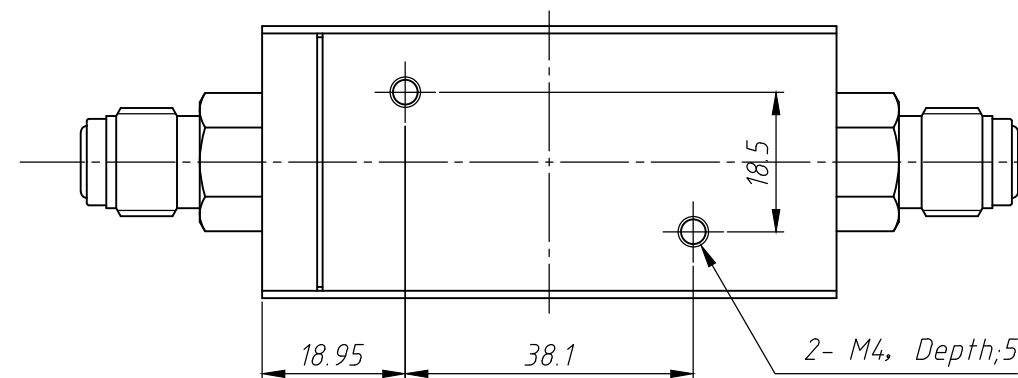
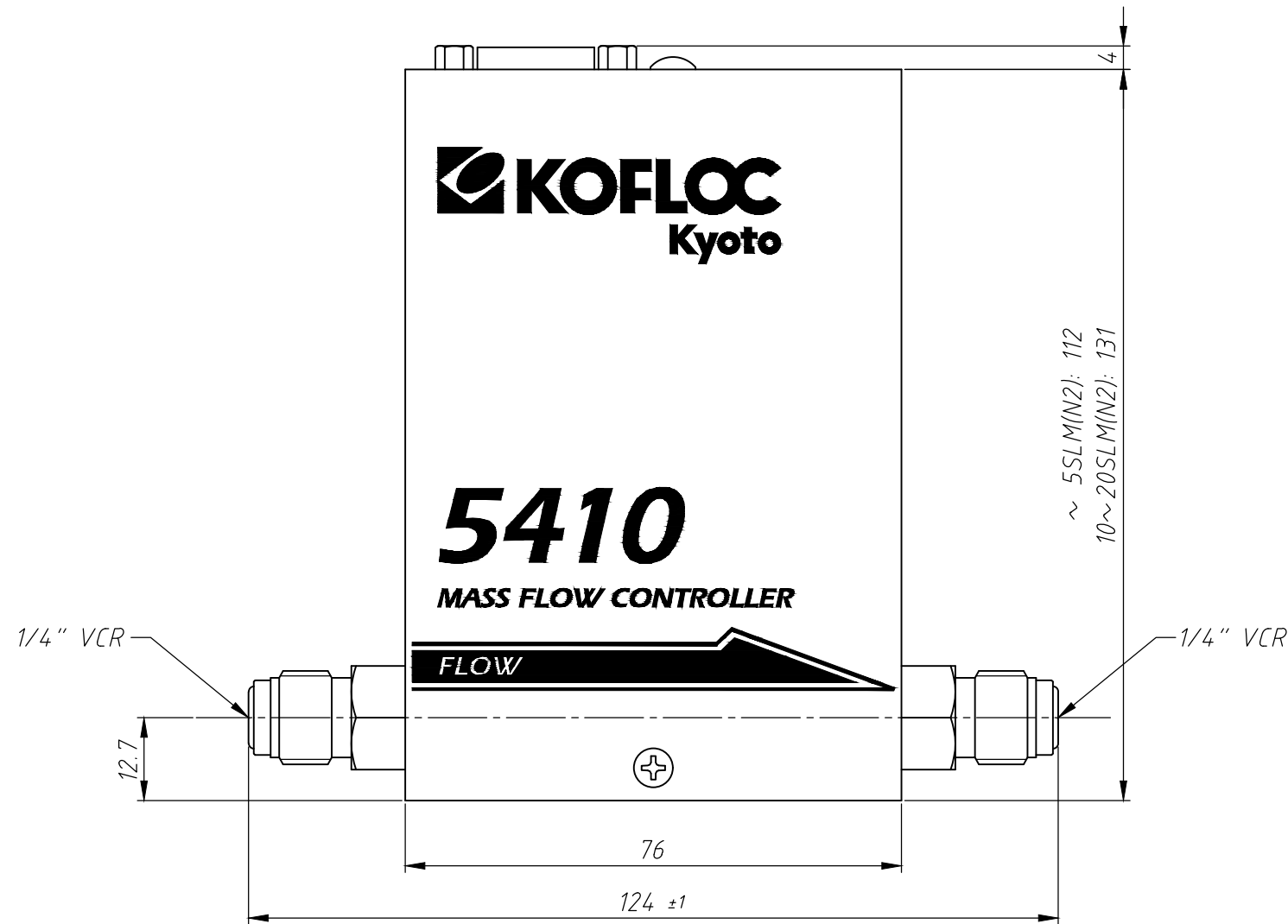
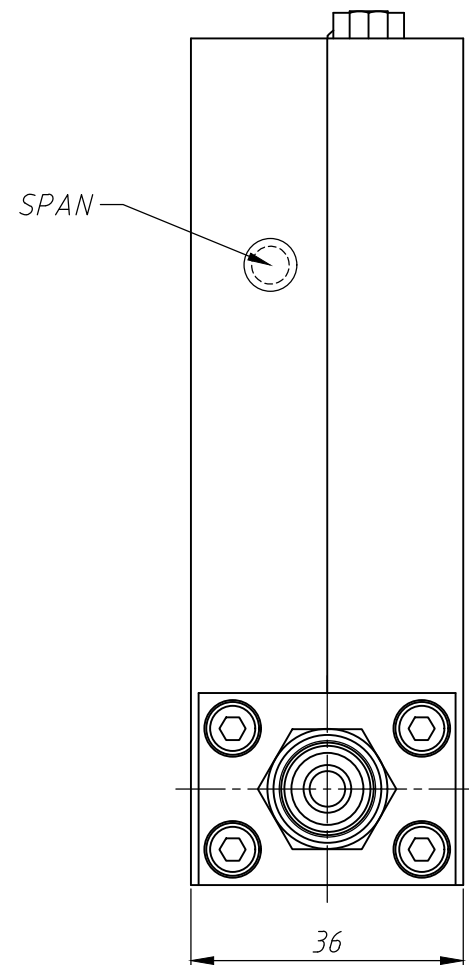


DWG. No.	MR300056A1
TITLE	Mass Flow Meter MODEL 5410
CUSTOMER	



D-sub connector (male)

Pin No.	Signal Name
1	NC
2	Output Signal
3	Power +15VDC
4	Power Common
5	Power -15VDC
6	NC
7	Signal Common
8	NC
9	NC



SCALE	1 : 1	PROJECTION	
Rev.			
<b>KOFLOC Corp.</b>			
DESIGNED	DRAWN	CHECKED	APPROVED
----	S.Ou		
DATE	06 / Jun / 2019		