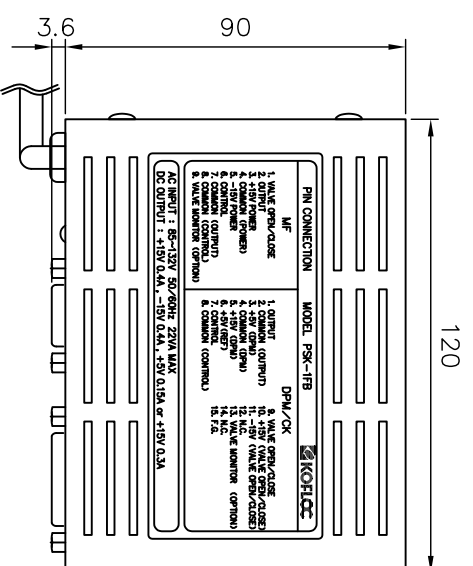
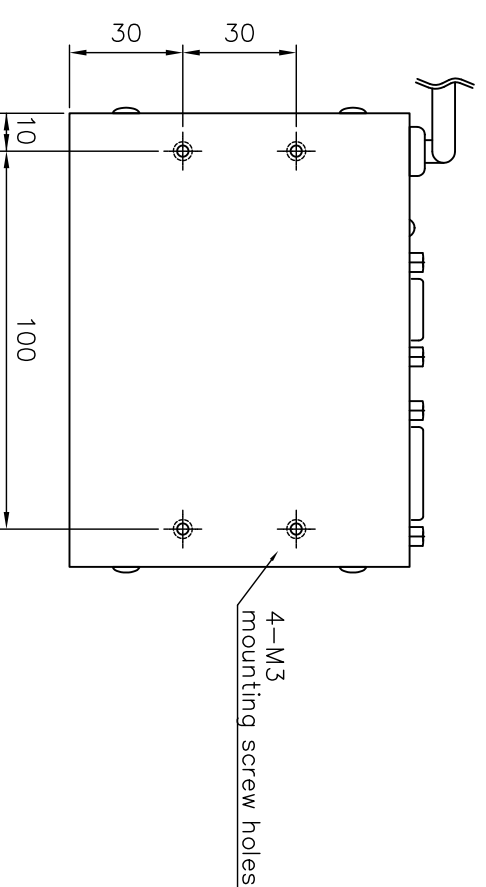
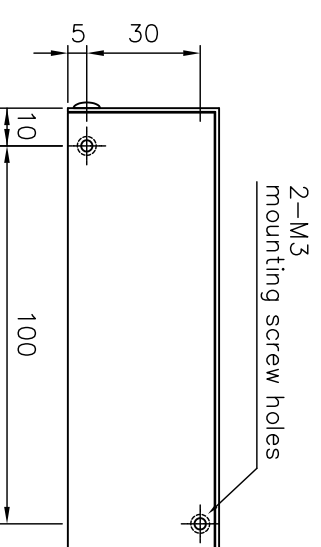
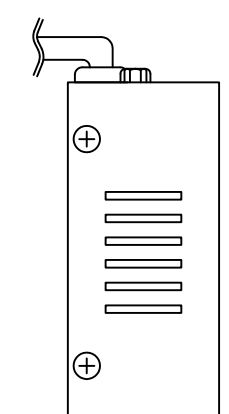
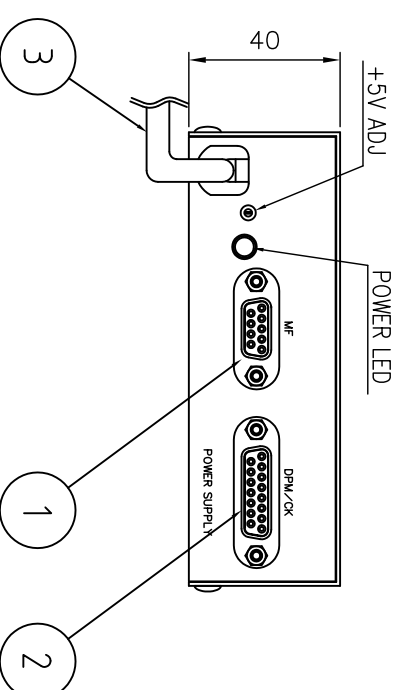


DWG. No.	MR300129A1
TITLE	Power Supply MODEL PSK-1FB
CUSTOMER	

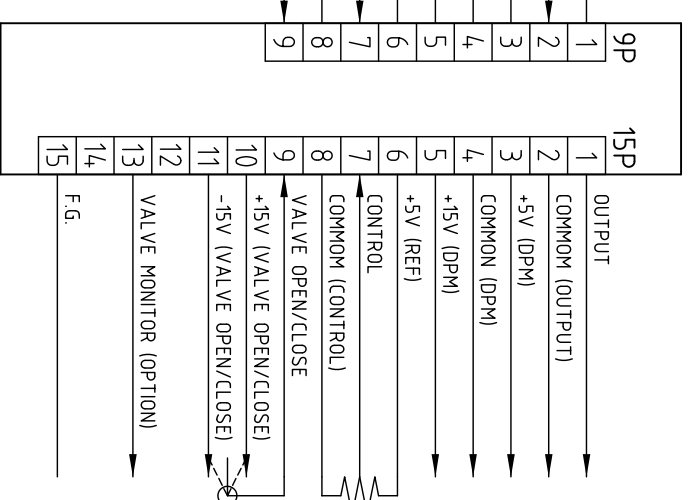


NOTES:
Don't insert Mounting screw in the case over 10mm.



AC INPUT :
85~132V 50 / 60HZ
22VA MAX

DC OUTPUT :
+15V 0.4A
-15V 0.4A
+5V 0.15A or +15V 0.3A



No.	NAME	SPECIFICATIONS	NOTES
3	AC CODE	about 3m, 3P PLUG	2P PLUG ADAPTOR attached
2	CONNECTOR (DPM/CK)	D-sub 15P (female)	
1	CONNECTOR (MF)	D-sub 9P (female)	

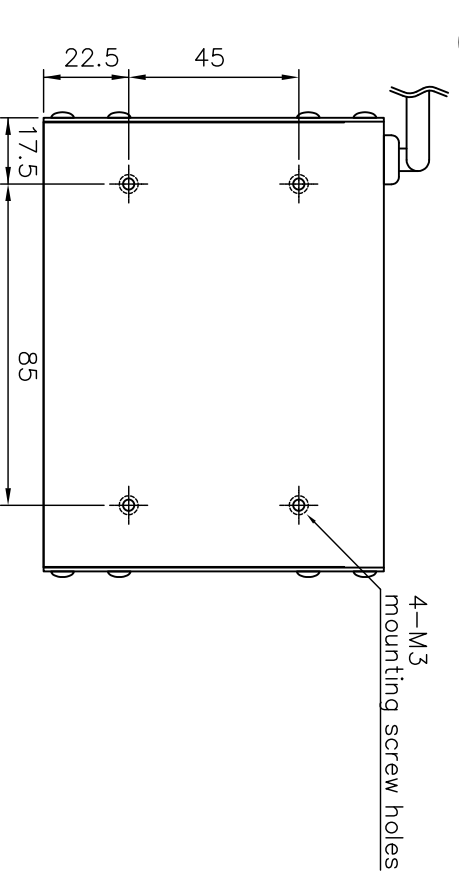
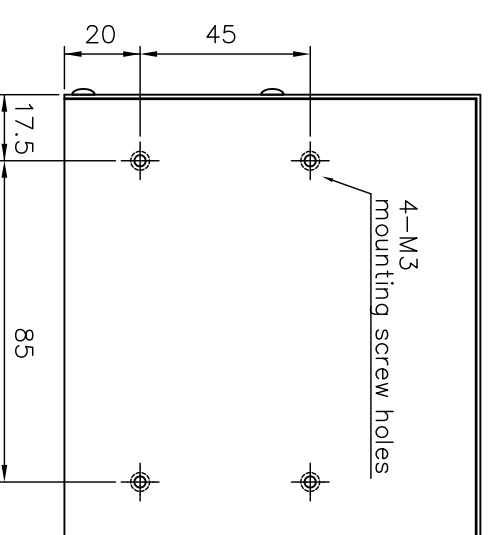
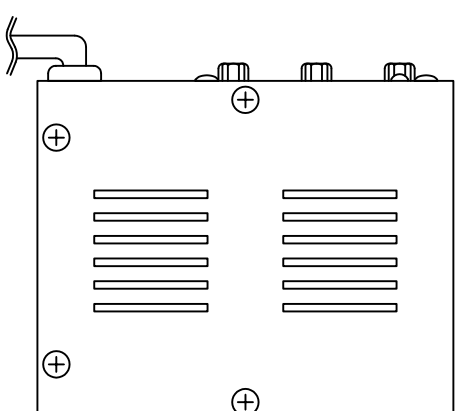
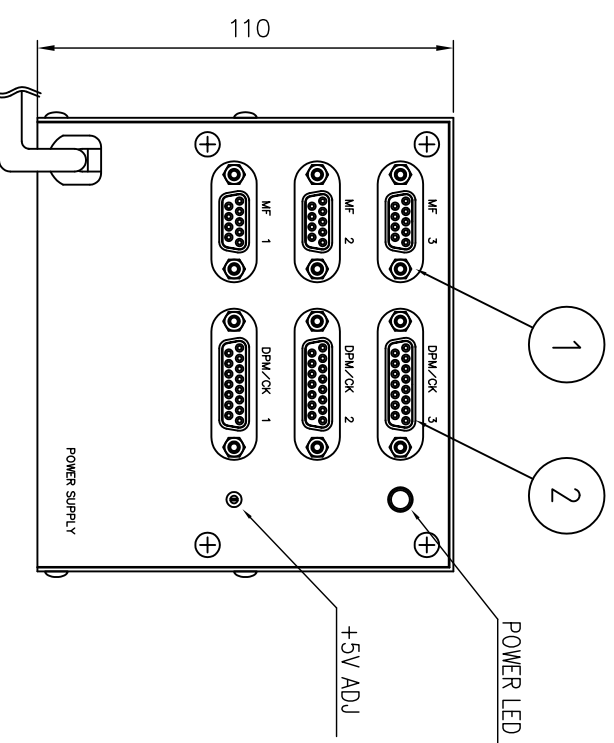
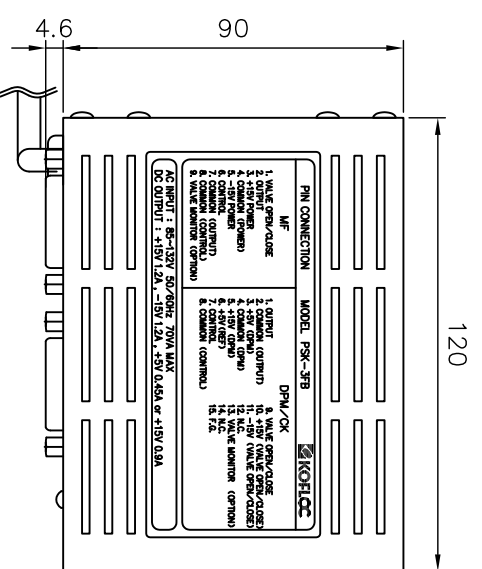
SCALE	1 : 2	PROJECTION	⊕
Rev.			

KOFLOC Corp.

DESIGNED	DRAWN	CHECKED	APPROVED
DATE	/ /	/ /	/ /

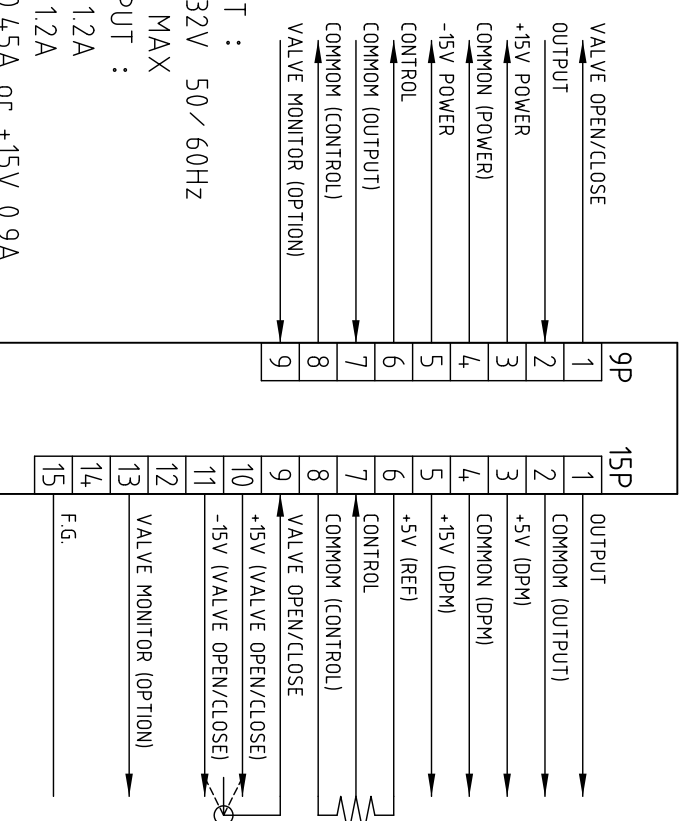
DWG. No.	MR300130A1
TITLE	Power Supply MODEL PSK-3FB
CUSTOMER	

NOTES:
Don't insert Mounting screw in the case over 10mm.



AC INPUT :
85~132V 50 / 60Hz
70VA MAX

DC OUTPUT :
+15V 1.2A
-15V 1.2A
+5V 0.45A or +15V 0.9A

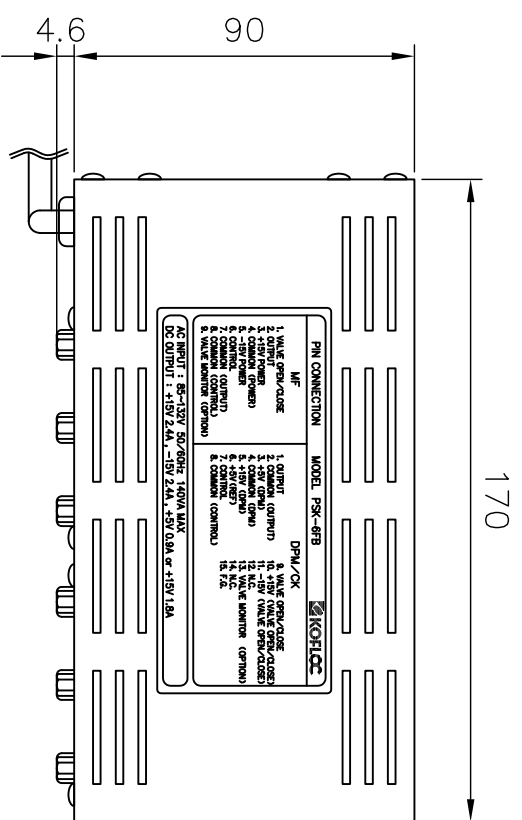


3	AC CODE	about 3m, 3P PLUG	2P PLUG ADAPTOR attached
2	CONNECTOR (DPM/CK)	D-sub 15P (female)	
1	CONNECTOR (MF)	D-sub 9P (female)	
No.	NAME	SPECIFICATIONS	NOTES
SCALE	1 : 2	PROJECTION	

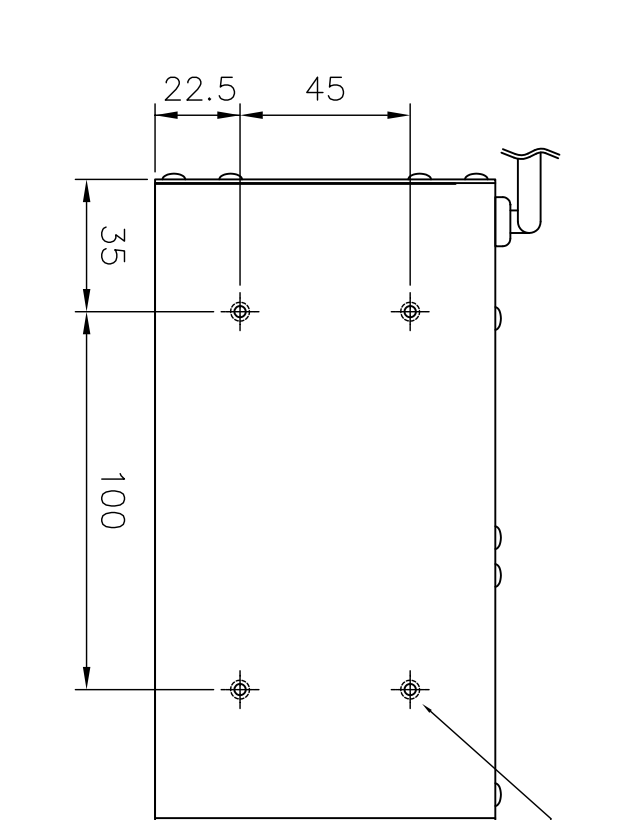
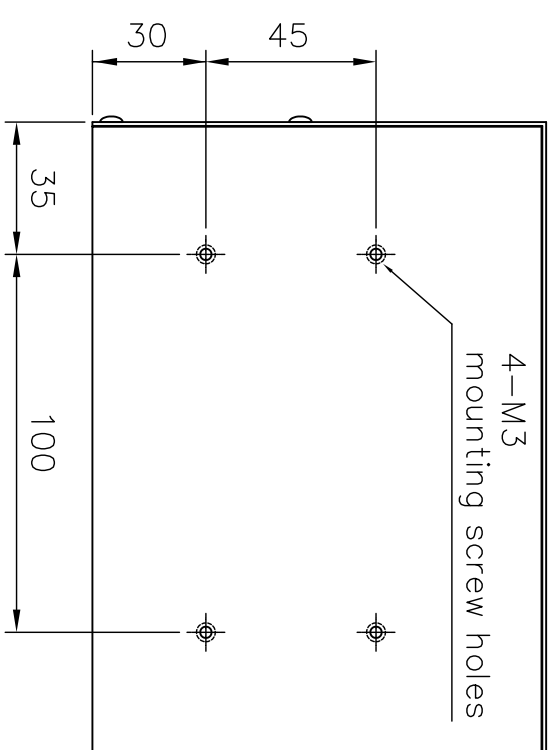
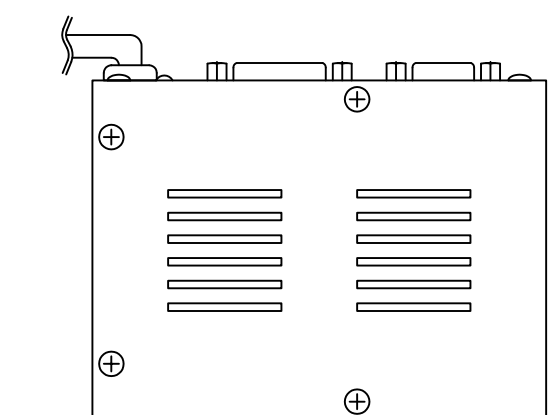
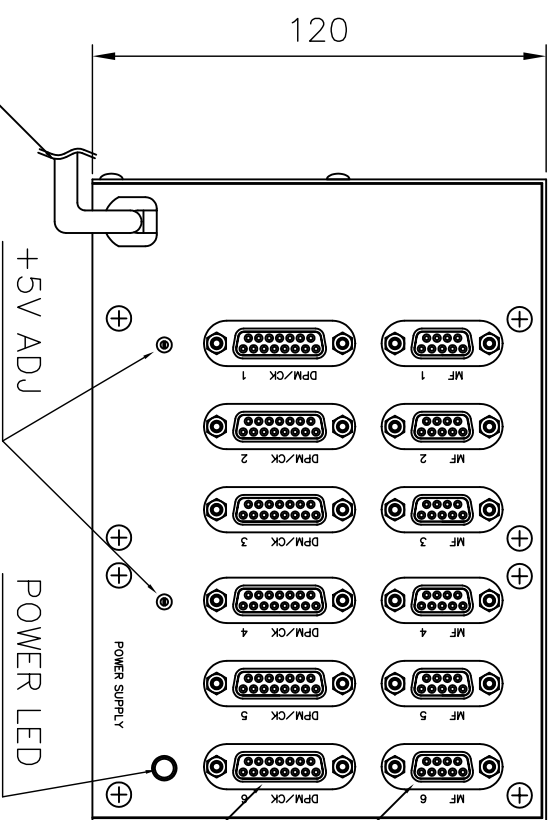
KOFLOC Corp.

DESIGNED	DRAWN	CHECKED	APPROVED
DATE	/ /	/ /	/ /

DWG. No.	MR300131A1
TITLE	Power Supply MODEL PSK-6FB
CUSTOMER	

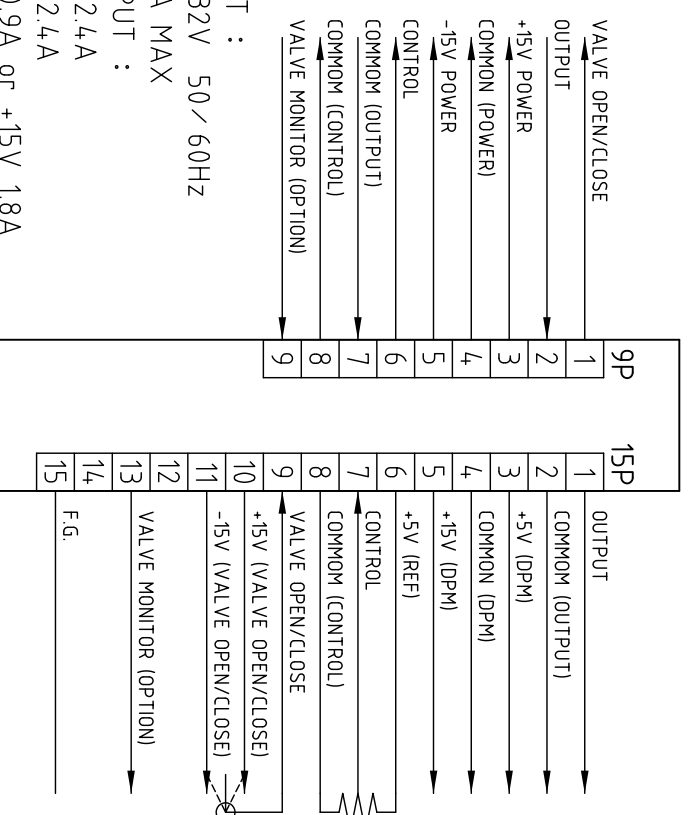


NOTES:
Don't insert Mounting screw in the case over 10mm.



AC INPUT :
85~132V 50/60Hz
140VA MAX

DC OUTPUT :
+15V 2.4A
-15V 2.4A
+5V 0.9A or +15V 1.8A



No.	NAME	SPECIFICATIONS	NOTES
1	CONNECTOR (MF)	D-sub 9P (female)	
2	CONNECTOR (DPM/CK)	D-sub 15P (female)	
3	AC CODE	about 3m, 3P PLUG	2P PLUG ADAPTOR attached

SCALE	1 : 2
PROJECTION	

KOFLOC Corp.

DESIGNED	DRAWN	CHECKED	APPROVED
DATE	/ /	/ /	/ /