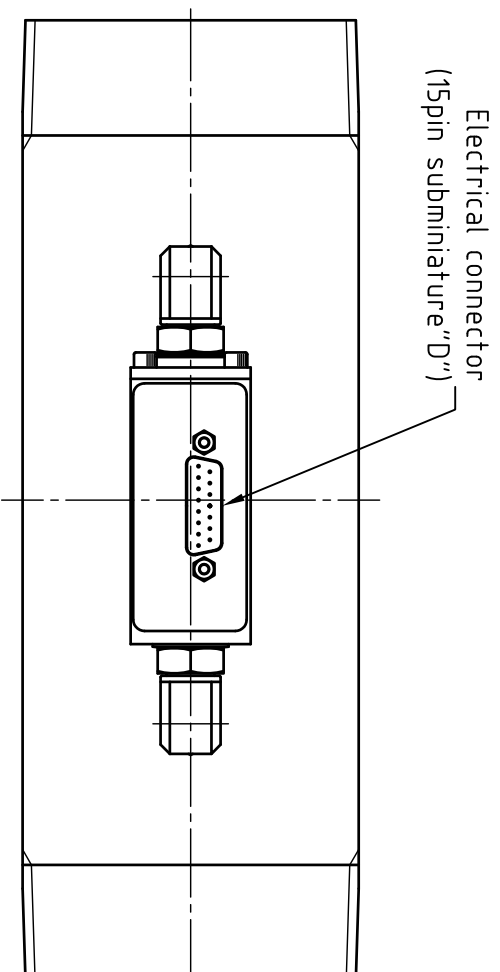


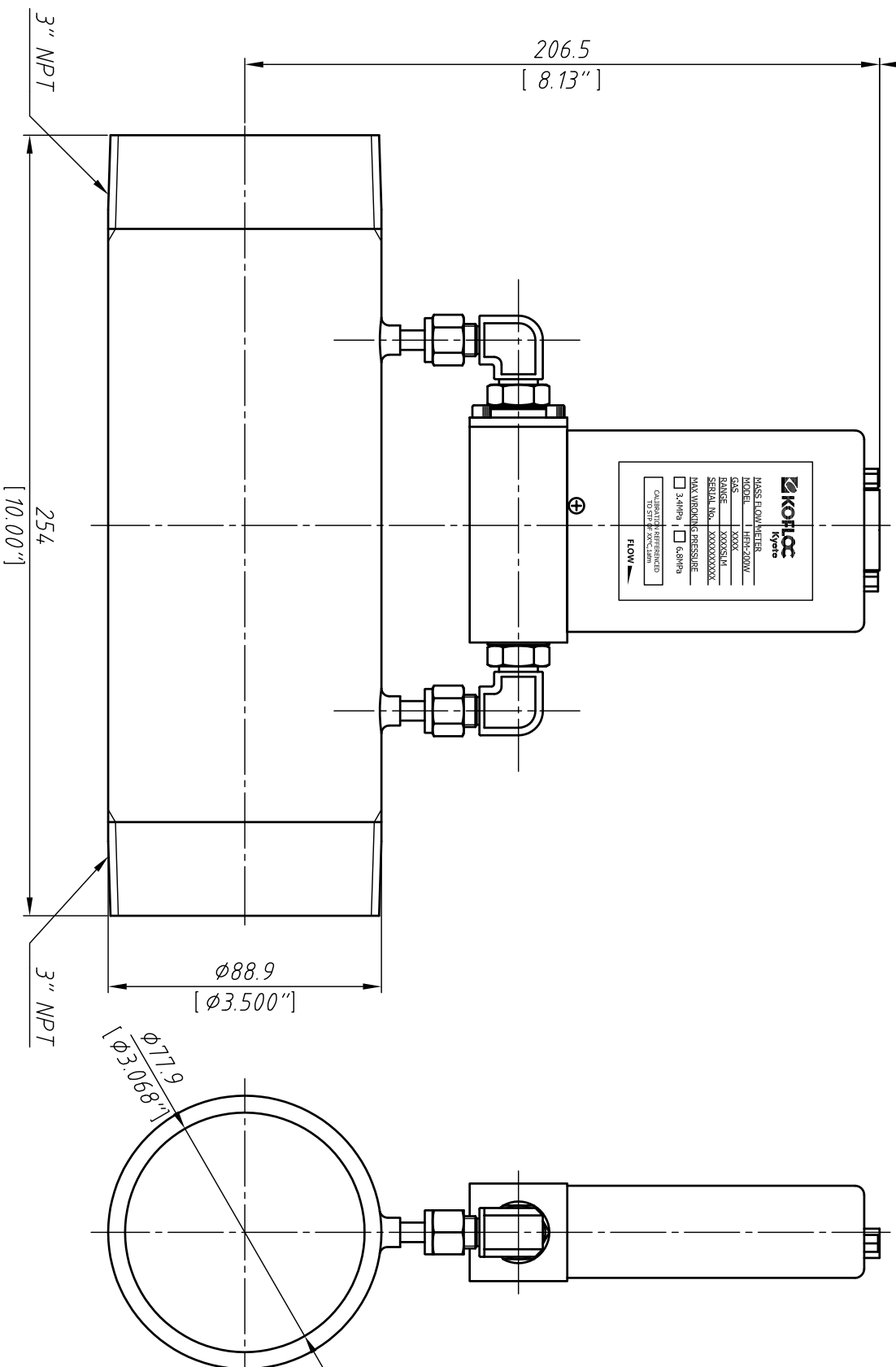
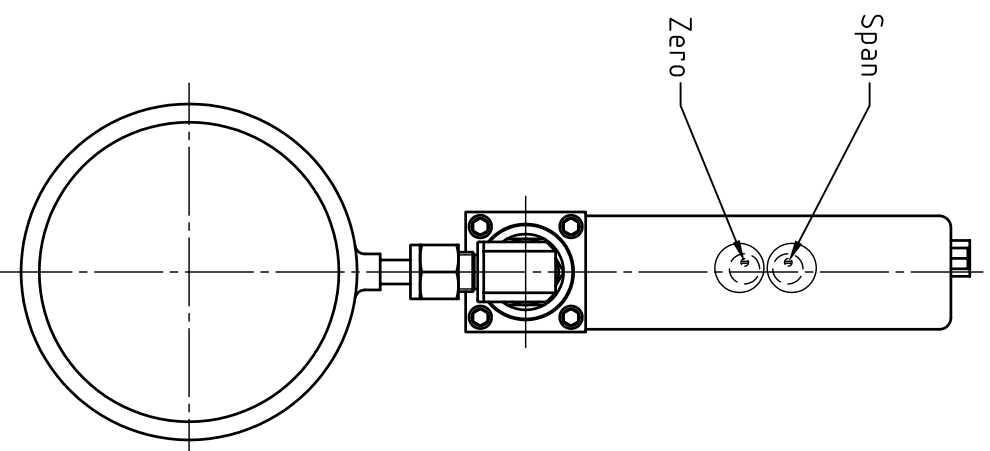
DWG. No.	MR300198A1
TITLE	Mass Flow Meter HFM-200W/LS-3NPT
CUSTOMER	



For connector connection with cable, about 64mm clearance is necessary.

Pin Assignment of D-sub 15pin

Pin No.	Signal Name
1	NC
2	NC
3	NC
4	NC
5	Signal Common
6	Signal Output
7	Case Ground
8	NC
9	Power -15VDC
10	NC
11	Power +15VDC
12	Power Common
13	NC
14	NC
15	NC



[note]  
Recommending install straight pipes more than 5 times length of the inside diameter of Laminar Flow Element(LFE) in front and rear of LFE, to measure accurate gas flow.

Rev.	
SCALE	1 : 2
	PROJECTION

**KOFLOC Corp.**

DESIGNED	DRAWN	CHECKED	APPROVED
DATE	/ /	/ /	/ /