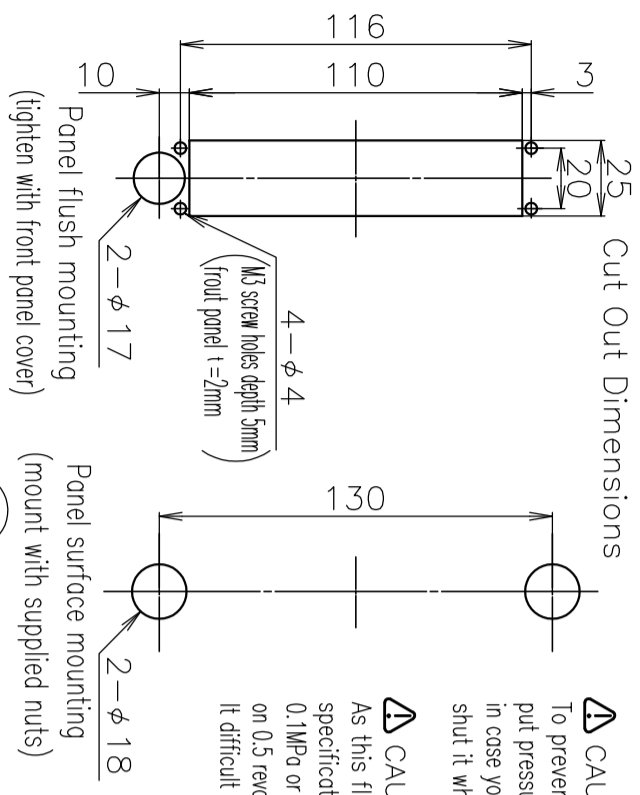


**Cut Out Dimensions**



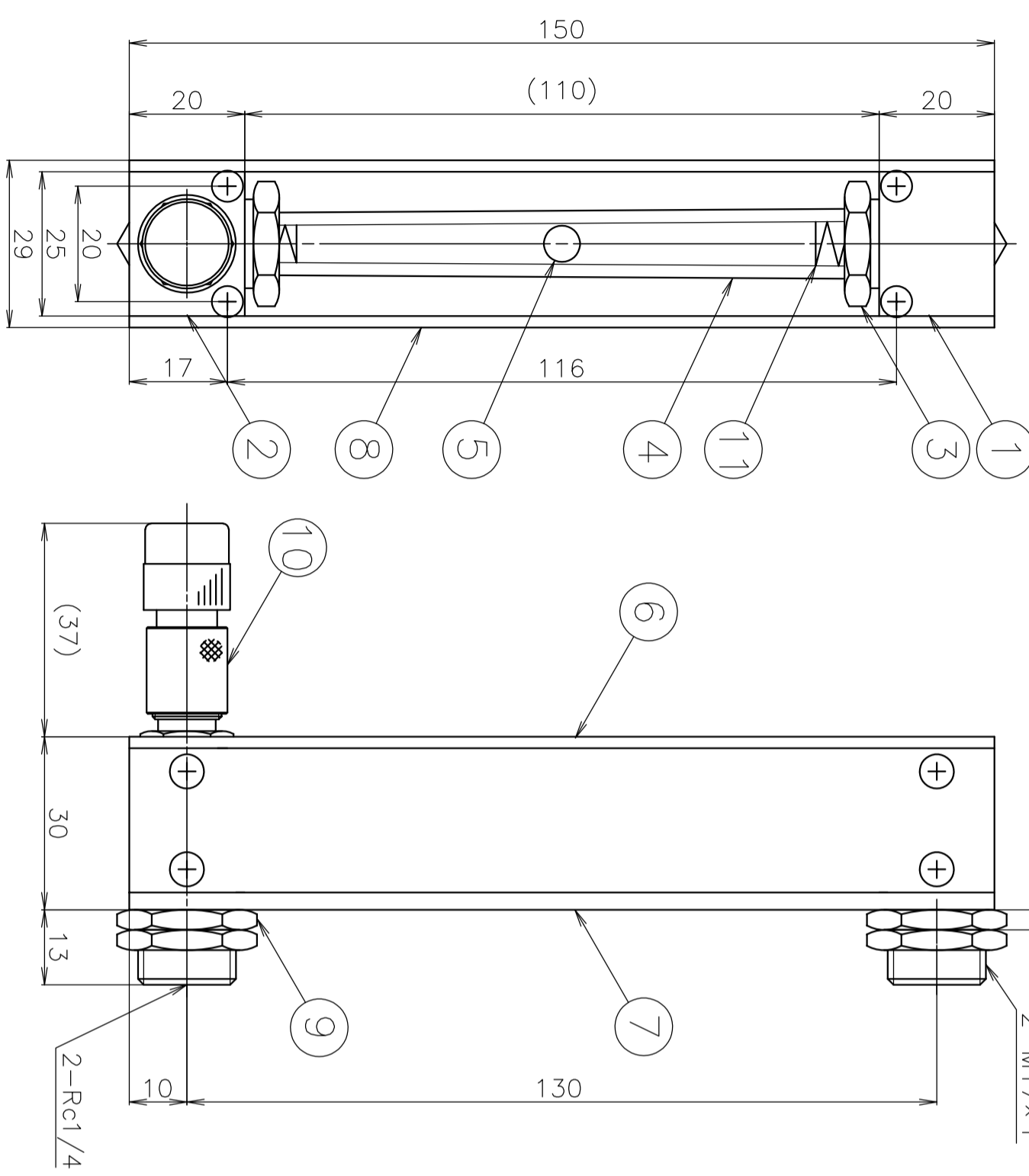
**CAUTION!**  
To prevent breaking glass by float, **DO NOT** put pressure change directly on this flowmeter in case you set electromagnetic valve, open and shut it when lay the flowmeter.

**CAUTION!**  
As this flow meter has low pressure drop specifications, if the differential pressure is 0.1MPa or more, the maximum flow rate reaches on 0.5 revolution or less of needle valve. It difficult to set the flow rate.

**Standard Specifications**

Fluids	AIR	O <sub>2</sub>	LN <sub>2</sub>	C <sub>3</sub> H <sub>8</sub>	Pressure loss [kPa]
Flow range [L/min]	1-10	1-10	1-10	0.8-8	0.6
(Atmospheric pressure)	2-20	2-20	2-20	1.5-15	1.4
	3-30	3-30	3-30	2.5-25	3.5
*LN <sub>2</sub> , C <sub>3</sub> H <sub>8</sub> -N <sub>2</sub> Conversion					
Proof pressure	0.5MPa(g)				
Accuracy	F.S.±2% (Measurement point)				
Available scale	10 : 1				
Connection end	Rc1/4				
Fluid contact materials	B Brass,Hard glass,316 stainless steel,NBR,PCTFE		SS 316 stainless steel,Hard glass,FKM,PCTFE		

(Note) The pressure drop is the result of measurement under no load on the fittings and piping.



Dimension in mm size

Dwg. No.	FR320236A1
Name	Low pressure loss with precision needle valve MODEL RK130 (Inline needle)
Customer	
MODEL:RK130-**-D	

**Specifications**

Fluid: \_\_\_\_\_

Flow rate: \_\_\_\_\_

Total length: 150mm

Material: \_\_\_\_\_

Pressure: (inlet) \_\_\_\_\_ (outlet) \_\_\_\_\_

Temperature: \_\_\_\_\_

Connection: \_\_\_\_\_

FLOAT: \_\_\_\_\_

Remarks: \_\_\_\_\_

11	Up&down stopper	316 Stainless steel	2	Low pressu- re loss
10	Needle valve	—	1	Low pressu- re loss
9	Mounting nut	Brass	4	
8	Side plate	Al	2	
7	Back plate	Yellow acrylic resin	1	
6	Front plate	Clear acrylic resin	1	
5	Floot	Hard glass or 316 Stainless steel	1	
4	Tube	Hard glass	1	
3	Cap nut	Brass	2	
2	Lower block	Brass 316 Stainless steel	1	
1	Upper block	Brass 316 Stainless steel	1	

No.	NAME	B	SS	Qt.	NOTES
SCALE	1/1				
3RD ANGLE PROJ. V					

**KOFLOC Corp.**

DESIGNED	DRAWN	CHECKED	APPROVED
DATE			