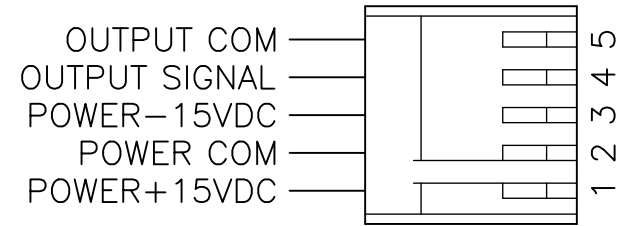
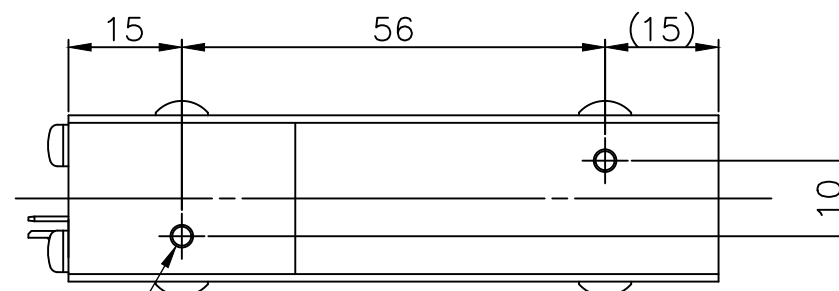
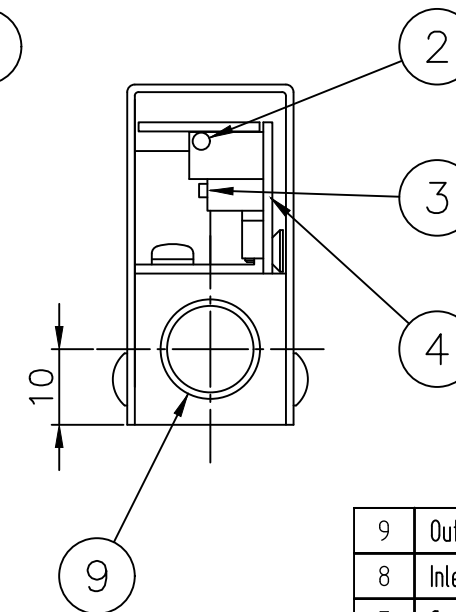
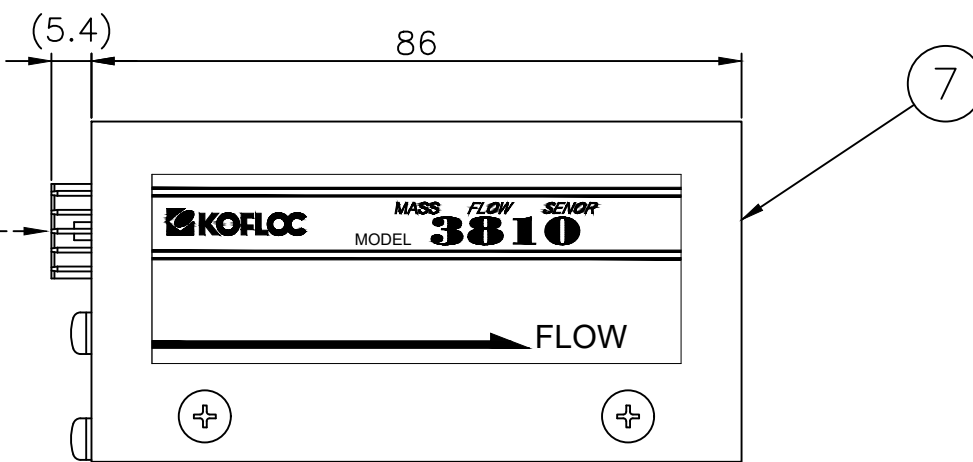
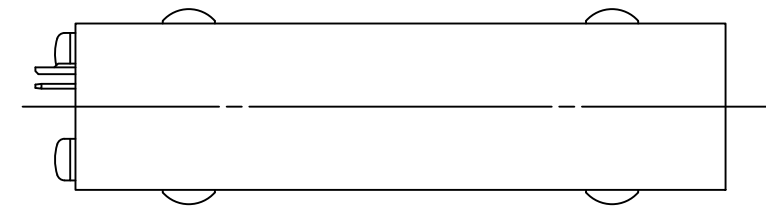
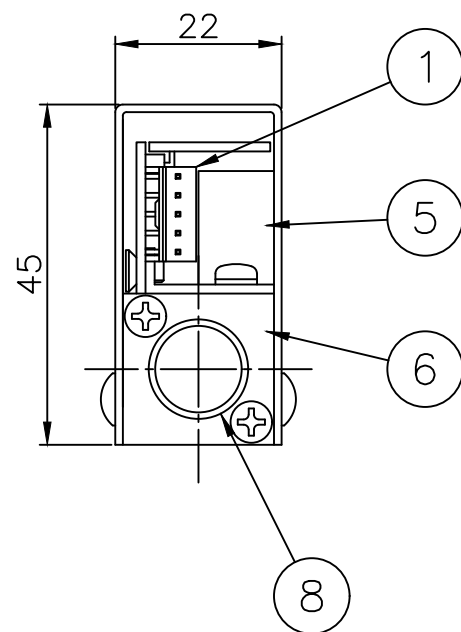


DWG. No.	MR300241A1
TITLE	Mass Flow Sensor MODEL 3810S(F.S.10SCCM~2SLM)
CUSTOMER	



AMP
EI series
Receptacle Connector 171822-5



Mounting screw holes
2-M3,Depth;4

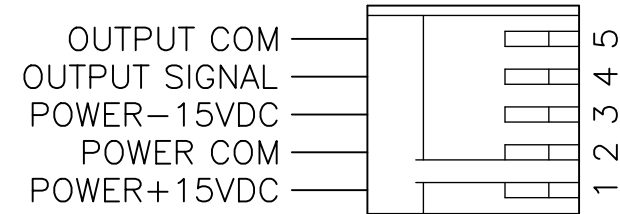
9	Outlet Fitting	Rc 1/4	
8	Inlet Fitting	Rc 1/4	
7	Cover	SECC (Black)	
6	Body	SUS 303	
5	Sensor		
4	Print Circuit Board	KP-3810-01	
3	Span Adjustment		
2	Zero Adjustment		
1	Connector	171826-5	AMP
No.	Name	Specification	Note

SCALE	1 : 1	PROJECTION	
-------	-------	------------	--

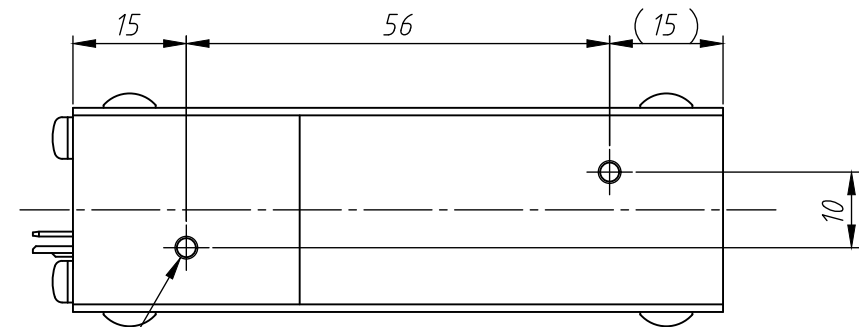
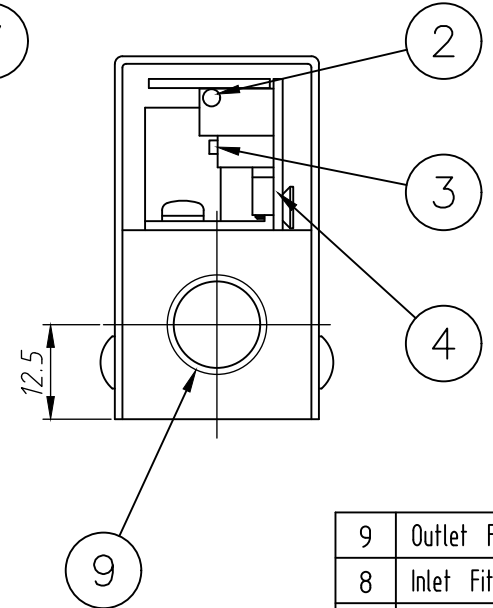
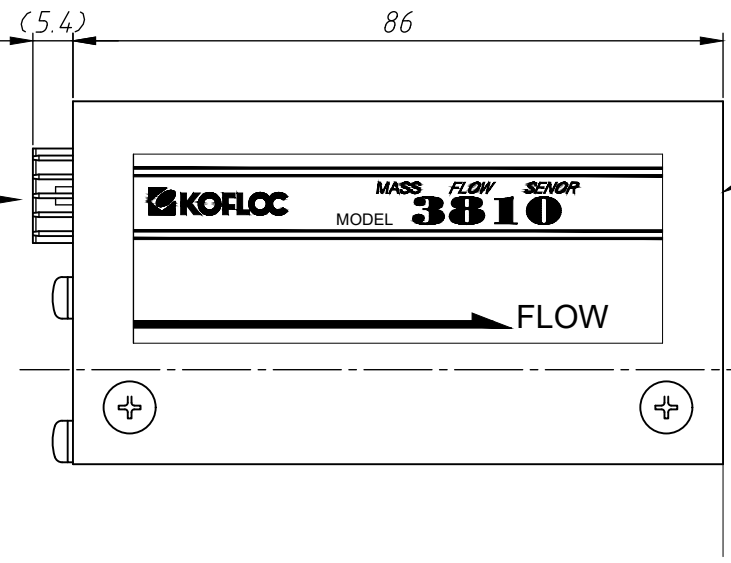
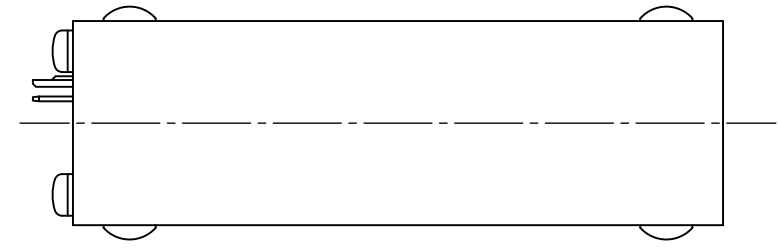
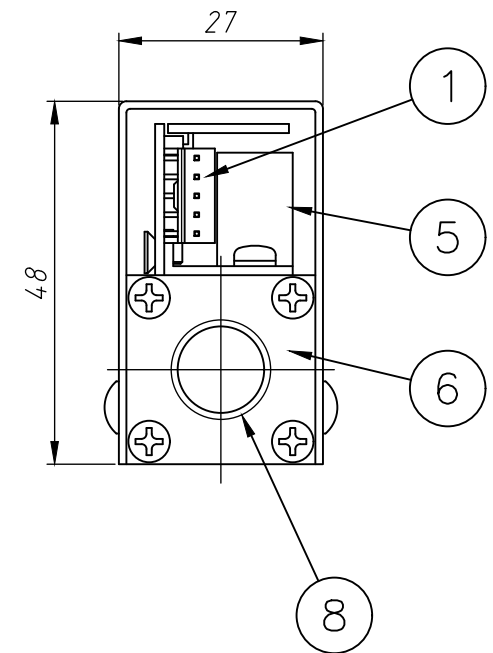
Rev.			
------	--	--	--

KOFLOC Corp.			
DESIGNED	DRAWN	CHECKED	APPROVED
----	Sihou		
DATE	04 / Feb / 2021		

DWG. No.	MR300242A1
TITLE	Mass Flow Sensor MODEL3810S(F.S.3~50SLM)
CUSTOMER	



AMP
EI series
Receptacle Connector 171822-5



Mounting screw holes
2-M3,Depth;4

9	Outlet Fitting	Rc1/4	
8	Inlet Fitting	Rc1/4	
7	Cover	SECC (Black)	
6	Body	SUS303	
5	Sensor		
4	Print Circuit Board	KP-3810-01	
3	Span Adjustment		
2	Zero Adjustment		
1	Connector	171826-5	AMP
No.	NAME	SPECIFICATIONS	NOTES

SCALE	1 : 1	PROJECTION	
-------	-------	------------	--

Rev.	
------	--

KOFLOC Corp.

DESIGNED	DRAWN	CHECKED	APPROVED
----	S.Ou		

DATE 04 / Feb / 2021