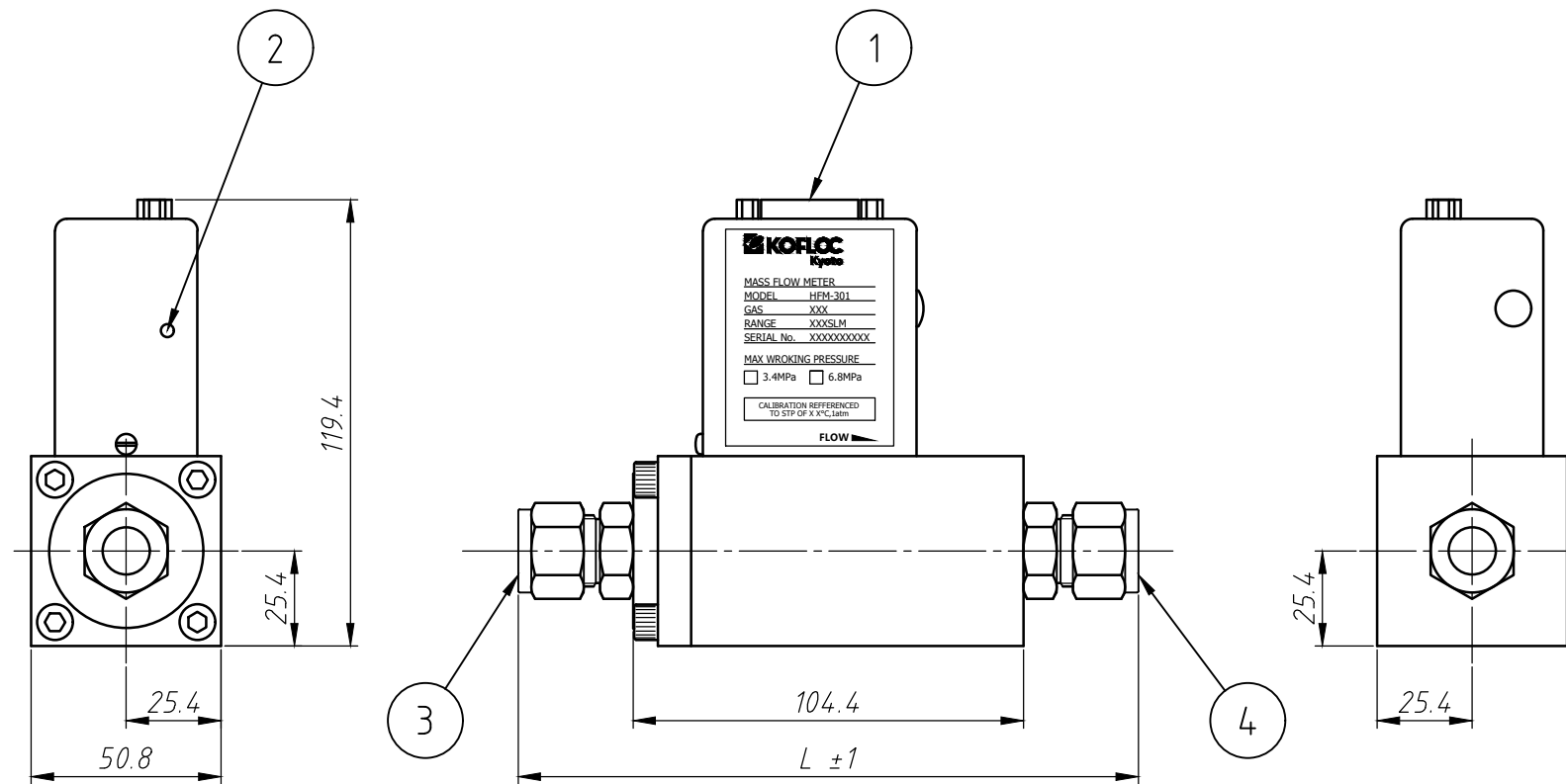


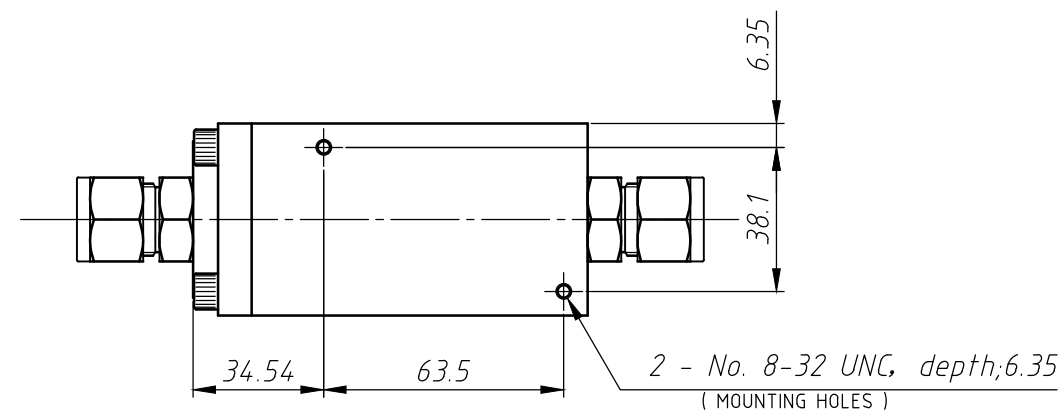
DWG. No.	MR300196A1
TITLE	Mass Flow Meter HFM-301(F.S.100~300SLM)
CUSTOMER	



Pin Assignment of D-sub 15pin

Pin No.	Signal Name
1	NC
2	NC
3	NC
4	NC
5	Signal Common
6	Signal Output
7	Case Ground
8	NC
9	Power -15VDC
10	NC
11	Power +15VDC
12	Power Common
13	NC
14	NC
15	NC

Fitting	L Dimensions(mm)
1/2" Swagelok	165.86
1/2" VCO	156.72
1/2" VCR	166.37



4	Outlet Fitting		
3	Inlet fitting		
2	Zero Adjustment		
1	Connector	Dsub15pin	
No.	Name	Specification	Note

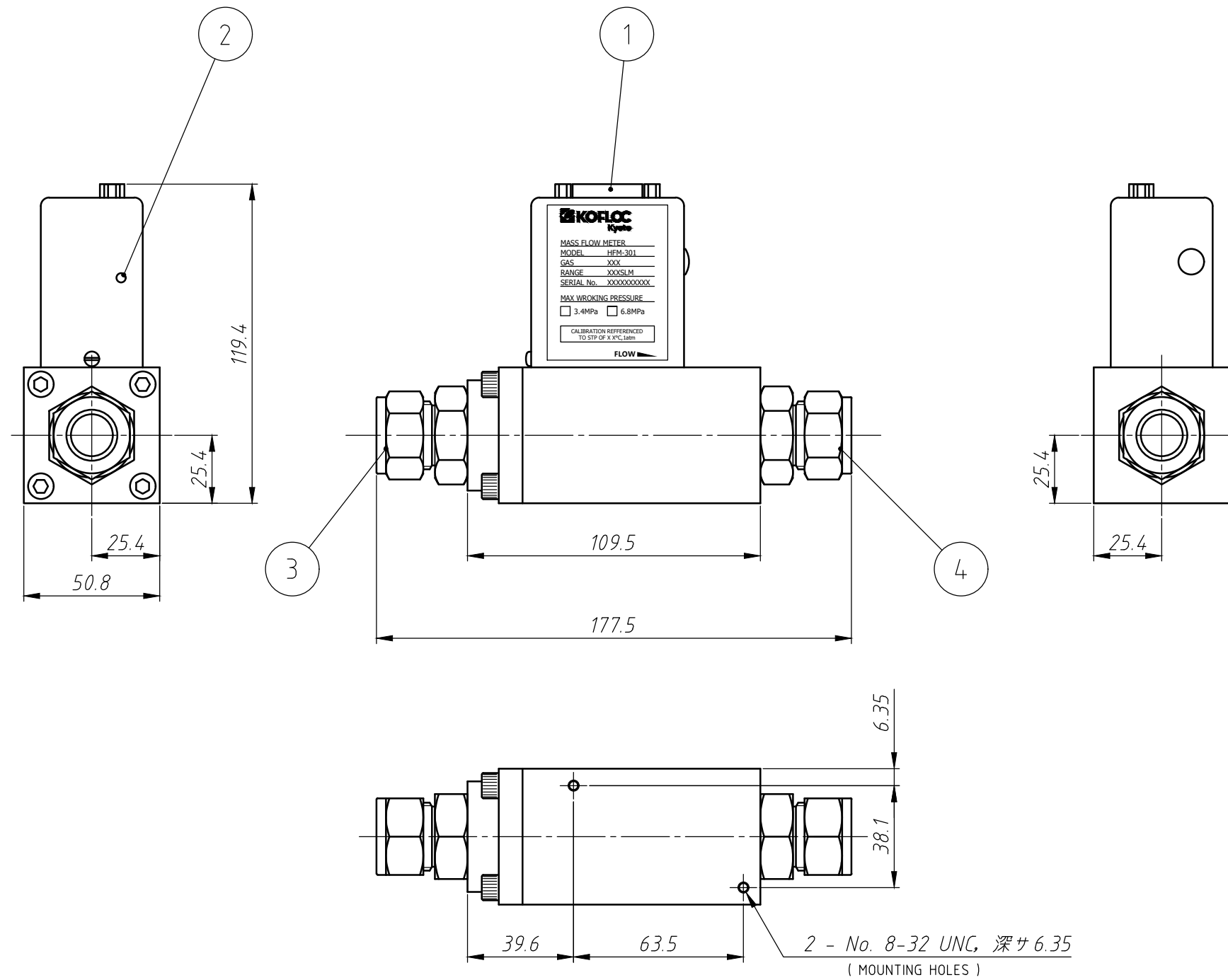
SCALE	1 : 2	PROJECTION	
-------	-------	------------	--

Rev.	
------	--

**KOFLOC Corp.**

DESIGNED	DRAWN	CHECKED	APPROVED
----	Yonamine		
DATE	25 / Dec / 2019		

DWG. No.	MR300197A1
TITLE	Mass Flow Meter HFM-301(F.S.301~1000SLM)
CUSTOMER	



Pin Assignment of D-sub 15pin

Pin No.	Signal Name
1	NC
2	NC
3	NC
4	NC
5	Signal Common
6	Signal Output
7	Case Ground
8	NC
9	Power -15VDC
10	NC
11	Power +15VDC
12	Power Common
13	NC
14	NC
15	NC

4	Outlet Fitting	3/4"Swagelok	
3	Inlet fitting	3/4"Swagelok	
2	Zero Adjustment		
1	Connector	D-sub 15pin	
No.	Name	Specification	Note

SCALE	1 : 2	PROJECTION	
-------	-------	------------	--

Rev.	
------	--

<b>KOFLOC Corp.</b>			
DESIGNED	DRAWN	CHECKED	APPROVED
----	Yonamine		
DATE	25 / Dec / 2019		