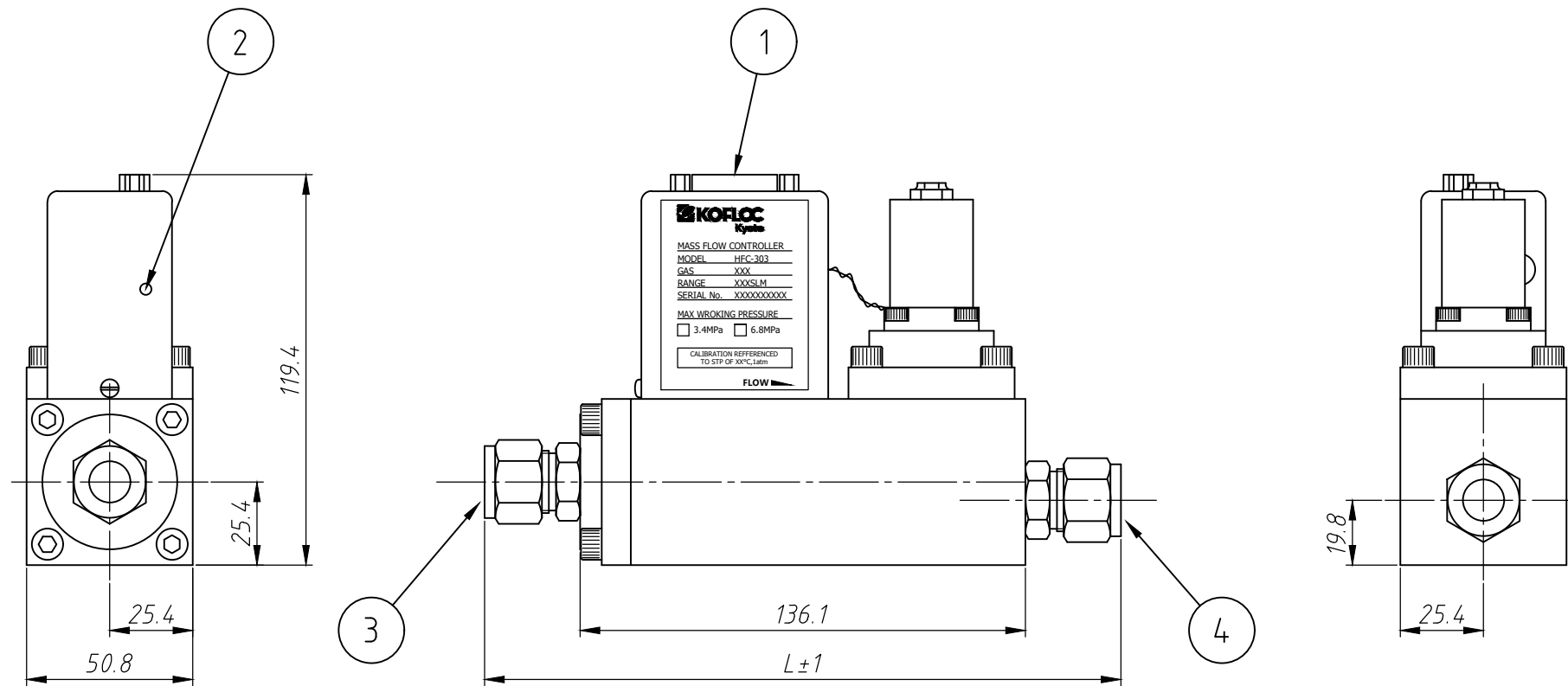


DWG. No.	MR300194A1
TITLE	Mass Flow Controller HFC-303(F.S.100~300SLM)
CUSTOMER	



Pin Assignment of D-sub 15pin

Pin No.	Signal Name
1	NC
2	NC
3	NC
4	NC
5	Signal Common
6	Signal Output
7	Case Ground
8	Valve Over-ride
9	Power -15VDC
10	NC
11	Power +15VDC
12	Power Common
13	NC
14	Command Input
15	NC

Fitting	L Dimensions(mm)
1/2"Swagelok	197.61
1/2"VCO	188.47
1/2"VCR	198.12

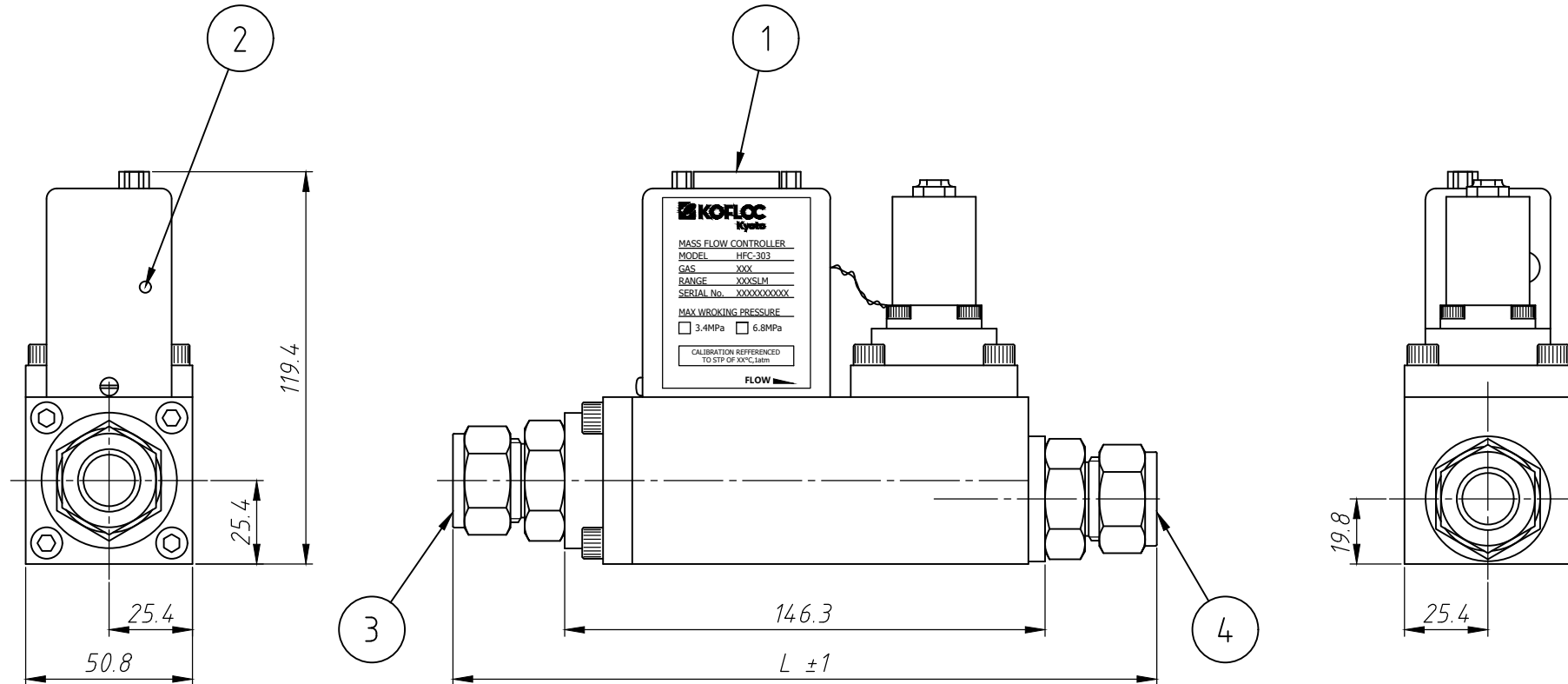
4	Outlet Fitting		
3	Inlet fitting		
2	Zero Adjustment		
1	Connector	D-sub 15pin	
No.	Name	Specification	Note

SCALE	1 : 2	PROJECTION	
-------	-------	------------	--

Rev.	

KOFLOC Corp.			
DESIGNED	DRAWN	CHECKED	APPROVED
----	Yonamine		
DATE	25 / Dec / 2019		

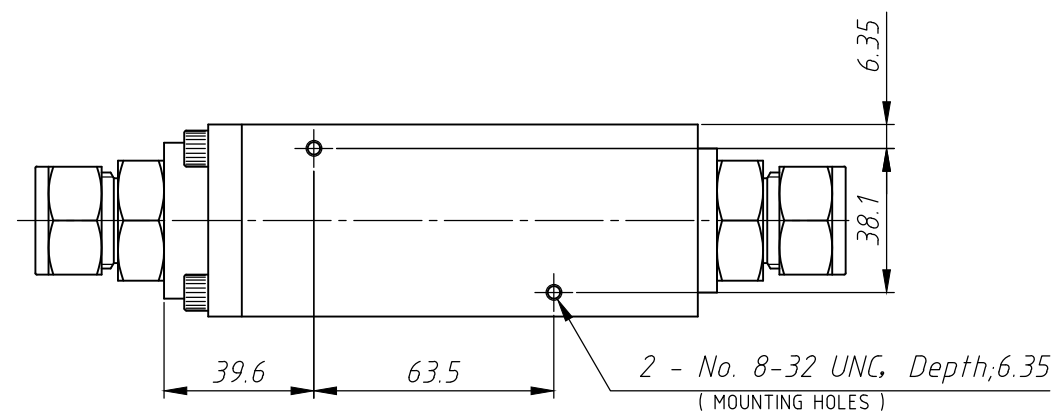
DWG. No.	MR300195A1
TITLE	Mass Flow Controller HFC-303(F.S.301~1000SLM)
CUSTOMER	



Pin Assignment of D-sub 15pin

Pin No.	Signal Name
1	NC
2	NC
3	NC
4	NC
5	Signal Common
6	Signal Output
7	Case Ground
8	Valve Over-ride
9	Power -15VDC
10	NC
11	Power +15VDC
12	Power Common
13	NC
14	Command Input
15	NC

Fitting	L Demensions (mm)
3/4" Swagelok	214.38
3/4" VCO	204.22



4	Outlet Fitting		
3	Inlet fitting		
2	Zero Adjustment		
1	Connector	D-sub-15pin	
No.	Name	Specification	Note

SCALE	1 : 2	PROJECTION	
-------	-------	------------	--

Rev.	
------	--

KOFLOC Corp.			
DESIGNED	DRAWN	CHECKED	APPROVED
----	Yonamine		
DATE	25 / Dec / 2019		