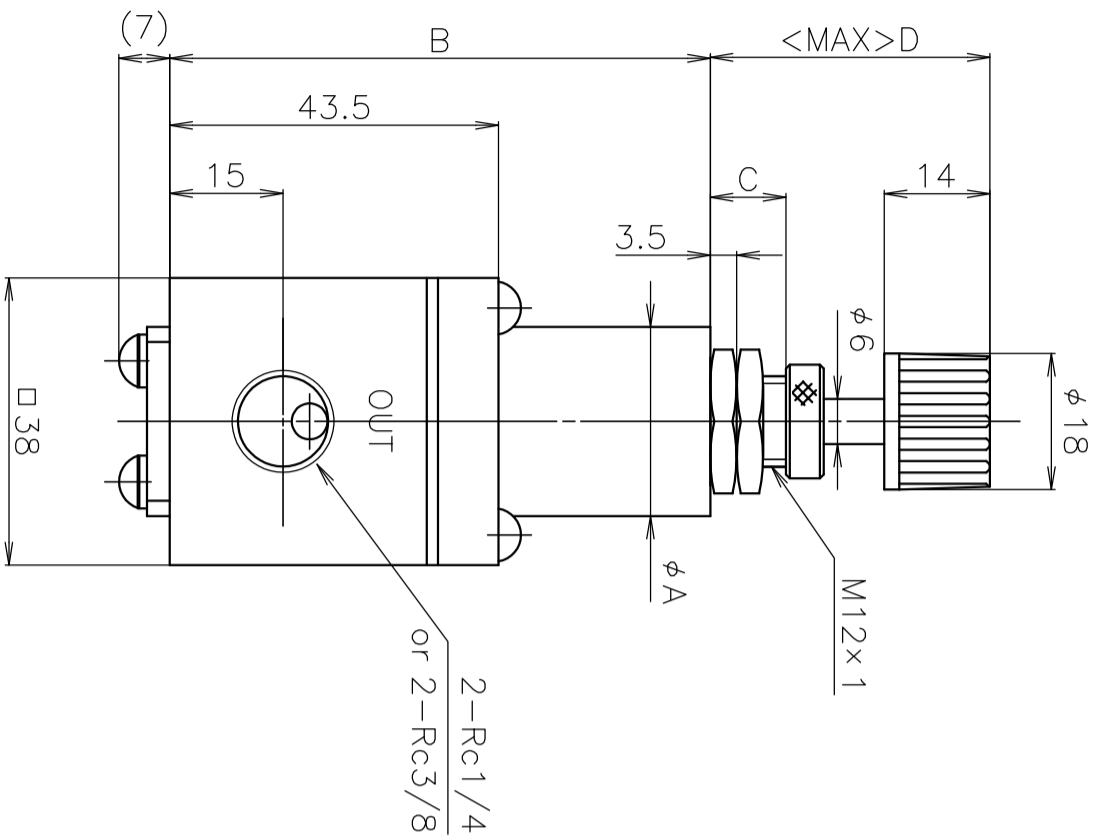
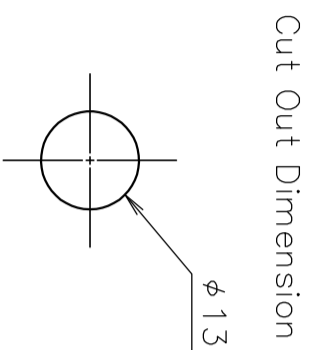


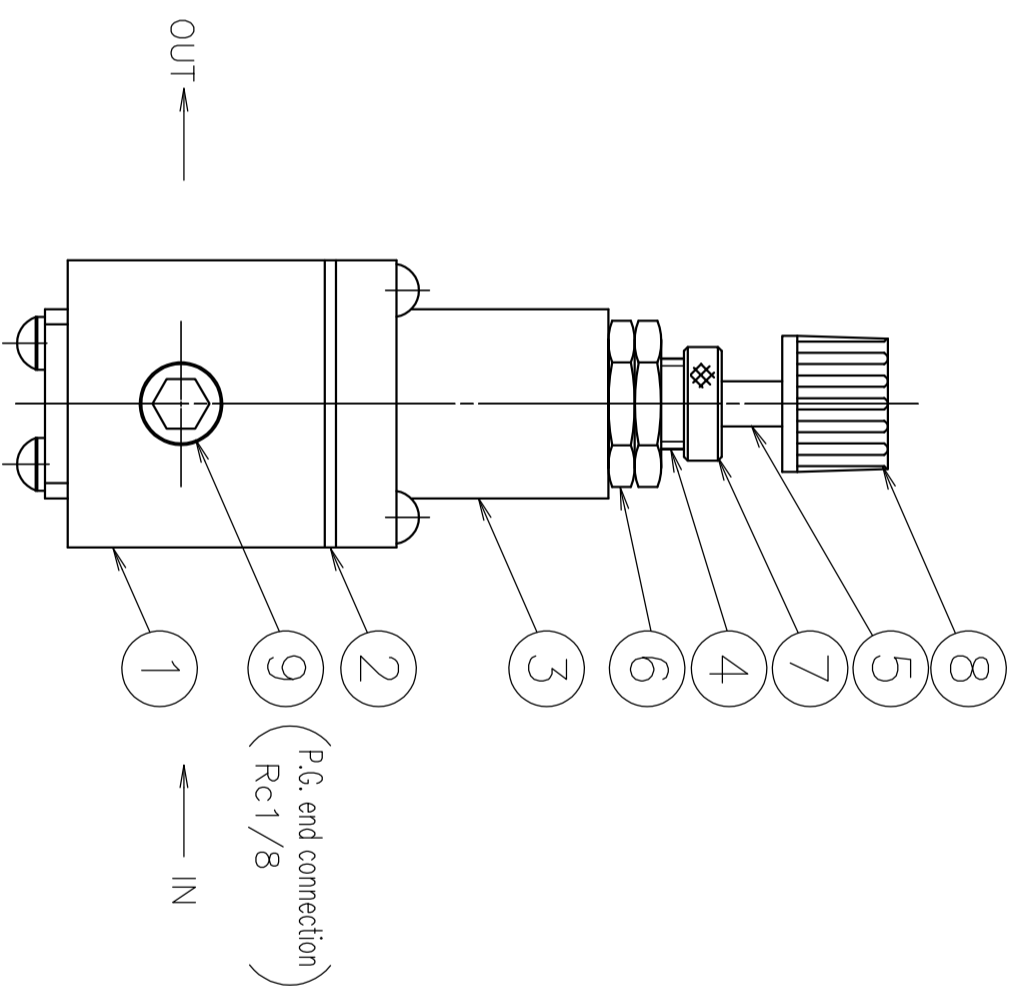
Dimensions of each section by nominal size(mm)

MODEL	A	B	C	D
6700A	25	71.5	10	37
6700B	30	74.5	13	40



Standard Specifications

Primary side max.pressure	0.9MPa(G)
Secondary side control pressure	A type: 0.01-0.3MPa(G) B type: 0.05-0.6MPa(G)
Min.operating differential pressure	0.05MPa
Pressure resistance	1.0MPa(G)
Repeatability	Within $\pm 1\%$ of rated pressure
Environmental temp.	5°C-60°C
Connection end	Rc3/8 (Standard), Rc1/4 (Optional)
Materials of areas in contact with fluid	(A) Al,Brass,NBR,POM,316 stainless steel FKM (304 stainless steel) (SS) 316 stainless steel,FKM,PCTFE (304 stainless steel)



9	Gauge port plug	304 Stainless steel	1	
8	Knob	Phenol resin	1	
7	Cap nut	Brass	1	
6	Mounting nut	Brass	2	
5	Pressure regulating shaft	303 Stainless steel	1	
4	Bonnet bearing	Brass	1	
3	Bonnet	Al	1	
2	Diaphragm	FKM	1	
1	Main unit	Al	1	

No. NAME SPECIFICATION Qt. NOTES

SCALE 1/1

3RD ANGLE PROJ. R E V

**KOFLOC Corp.**

DESIGNED DRAWN CHECKED APPROVED

DATE / /

Dwg. No. FR330024A1 MODEL 6700

Name Large pressure regulating valve

Customer

MODEL:6700- Specifications

Rating:

Material:

Connection:

Remarks:

Dimension in mm size