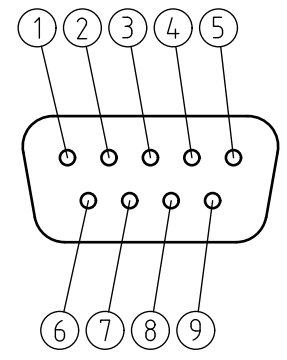
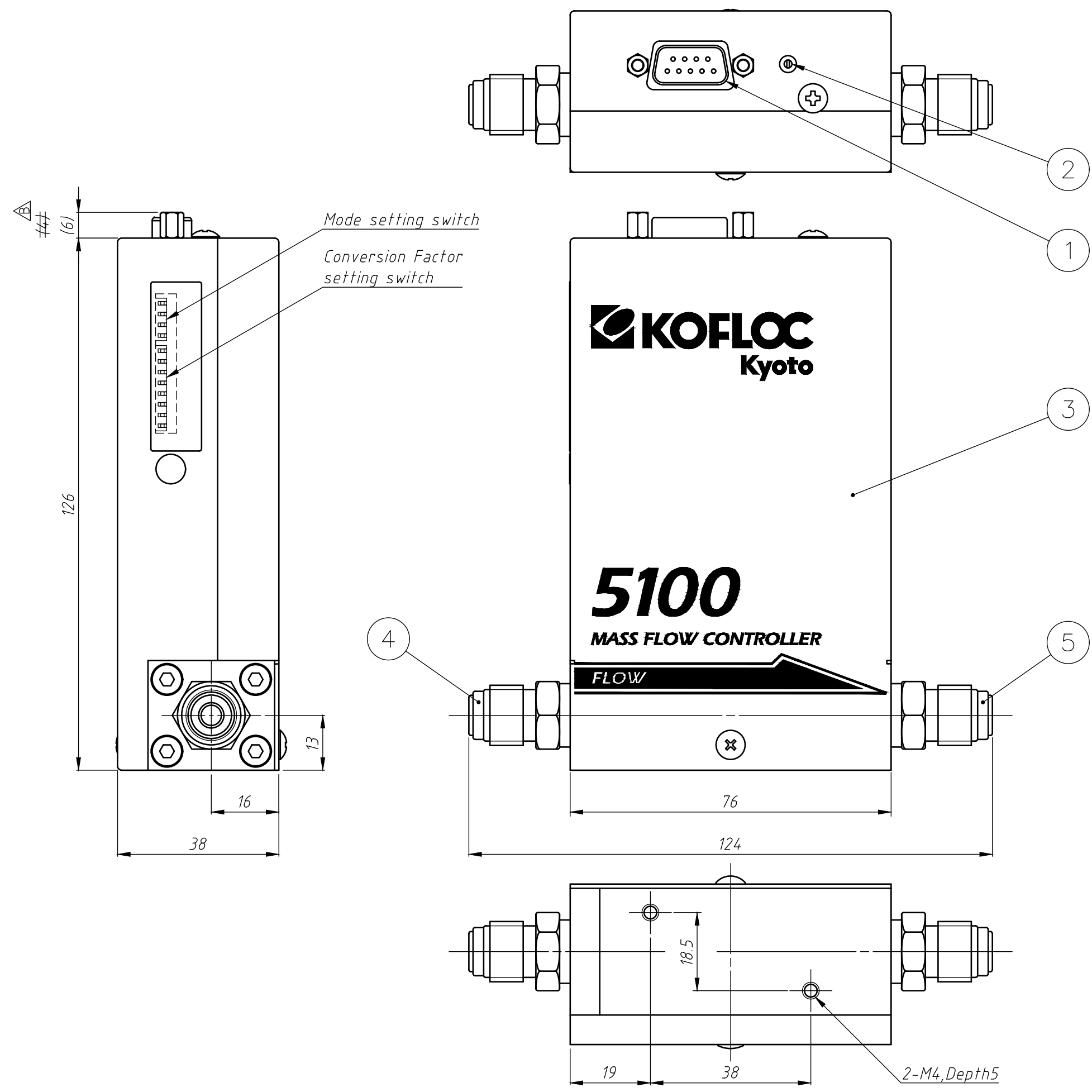


図面番号	MR300087C1
品名	Mass Flow Controller MODEL 5100
御注文主	



D-sub connector

Pin No.	Signal Name
1	NC
2	Output Signal
3	Power +15VDC
4	Power Common
5	Power -15VDC
6	NC
7	Signal Common
8	NC
9	NC

5	Outlet Fitting	1/4"VCR	
4	Inlet Fitting	1/4"VCR	
3	Cover Δ		
2	Zero Adjustment		
1	Connector	D sub 9 Pin(male)	
No.	Name	Specification	Note
SCALE	1 : 1	PROJECTION	\oplus

Rev.		
Δ	Changed cover shape	2025.12.22

KOFLOC Corp.

DESIGNED	DRAWN	CHECKED	APPROVED
----	S.Ou		
DATE	06 / Jun / 2019		