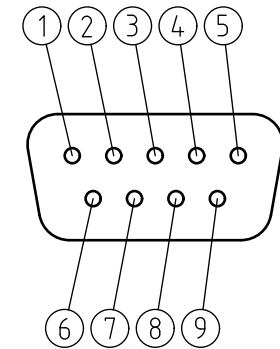
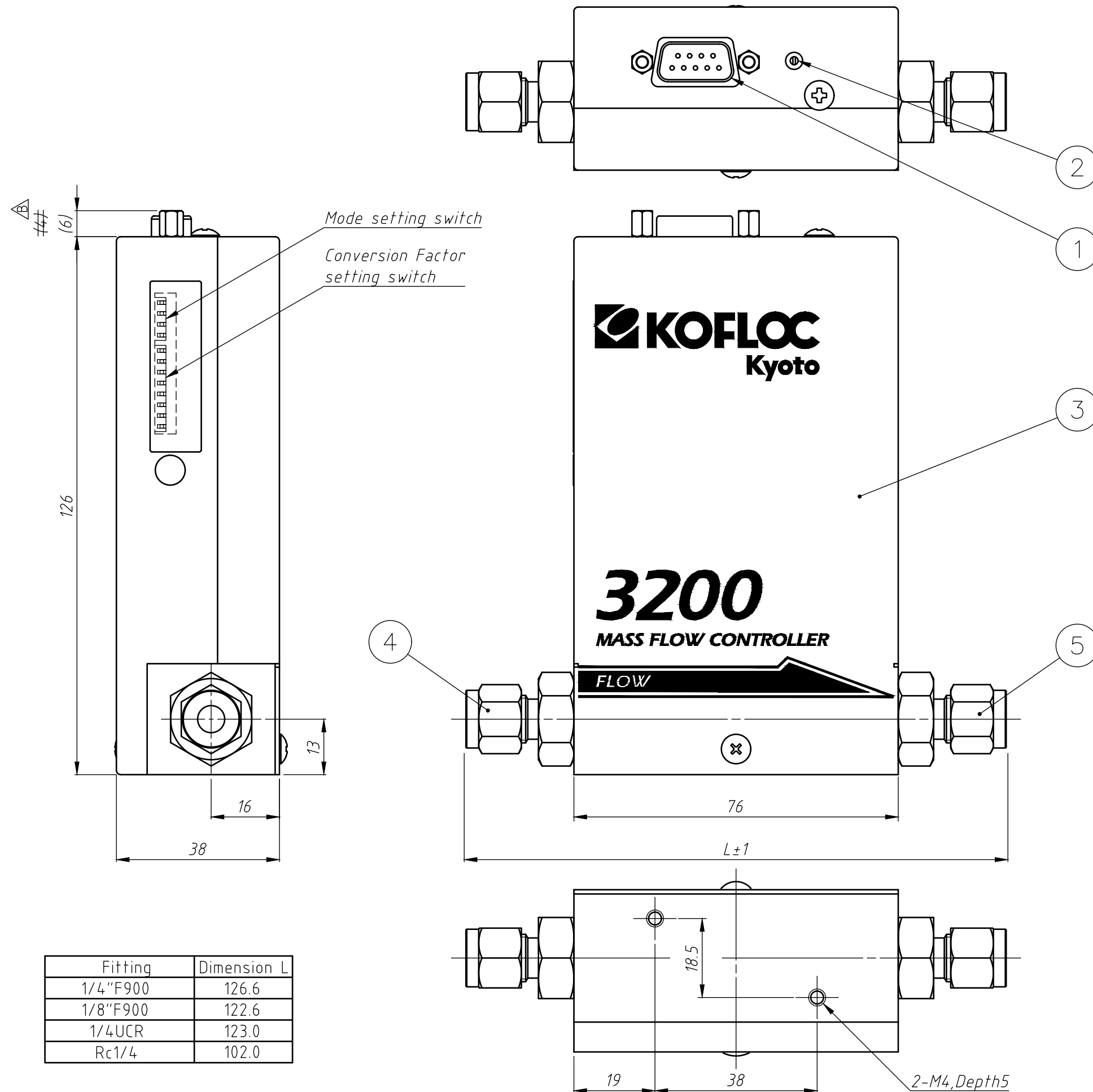


DWG.No.	MR30082B1
TITLE	Mass Flow Controller MODEL 3200
CUSTOMER	



D-sub connector

Pin No.	Signal Name
1	Valve Open/Close
2	Output Signal
3	Power +15VDC
4	Power Common
5	Power -15VDC
6	SetPoint Hi
7	Signal Common
8	SetPoint Lo
9	NC

5	Outlet Fitting		
4	Inlet Fitting		
3	Cover		
2	Zero Adjustment		
1	Connector	D sub 9 Pin(male)	
No.	Name	Specification	Note
SCALE	1 : 1	PROJECTION	
Rev.			
	A Changed cover shape		2025.12.22
<b>KOFLOC Corp.</b>			
DESIGNED	DRAWN	CHECKED	APPROVED
---	S.Ou		
DATE	06 / Jun / 2019		