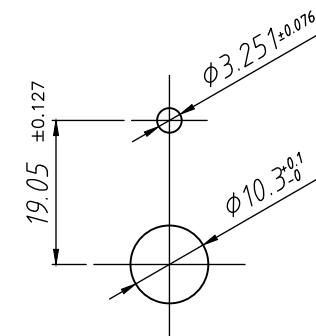
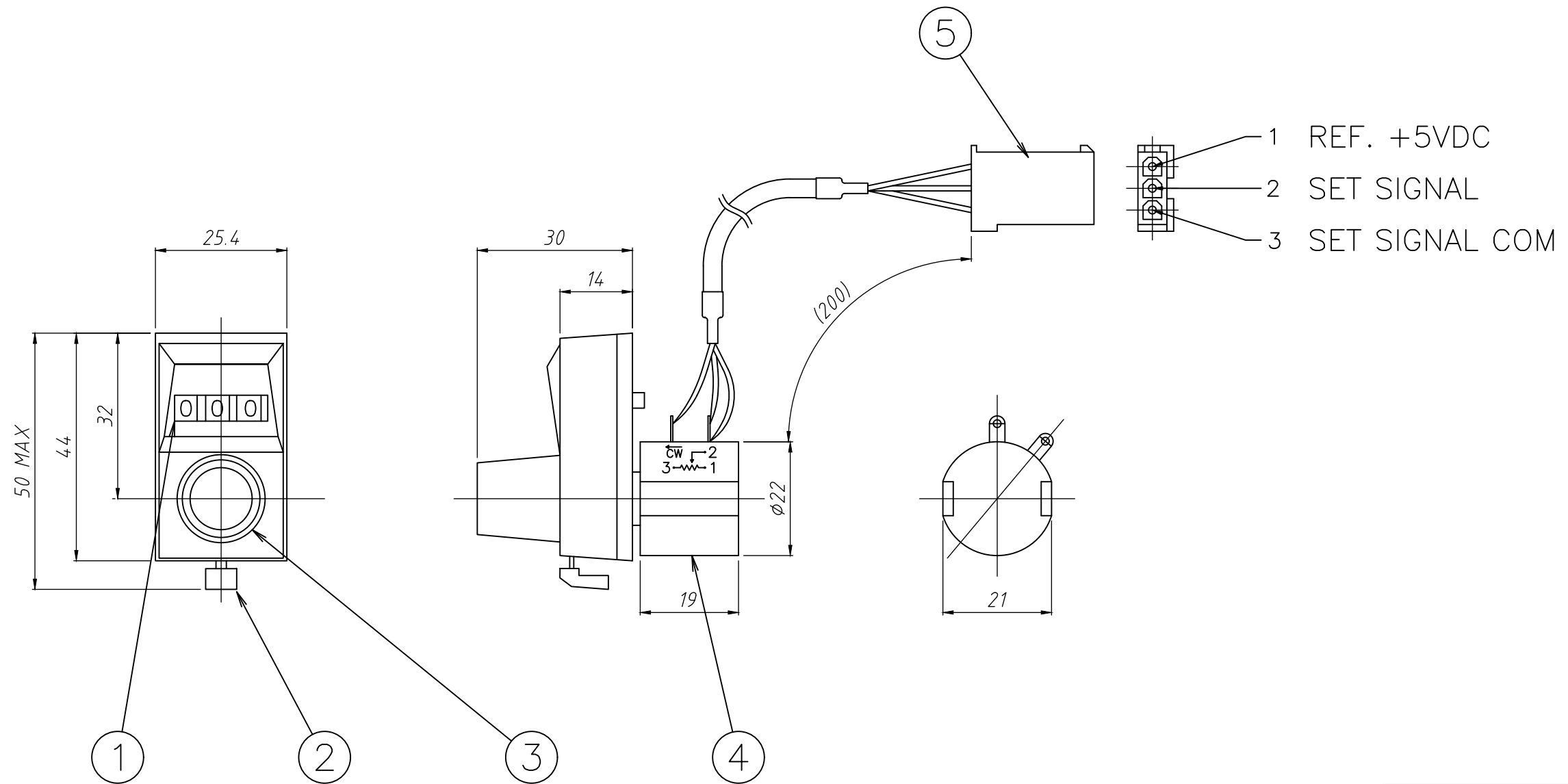


DWG. No.	MR300035A1
TITLE	Flow Setting Device for Mass Flow Controller MODEL CK-1A
CUSTOMER	



PANEL THICKNESS 1.5~5mm

PANEL CUT DIMENSIONS

5	Connector	172234-1	AMP
4	Potentiometer	10turn,10kΩ	
3	Command Setting knob		
2	Locking lever		
1	Setting value indicator		

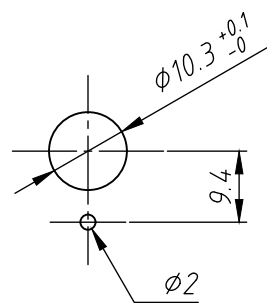
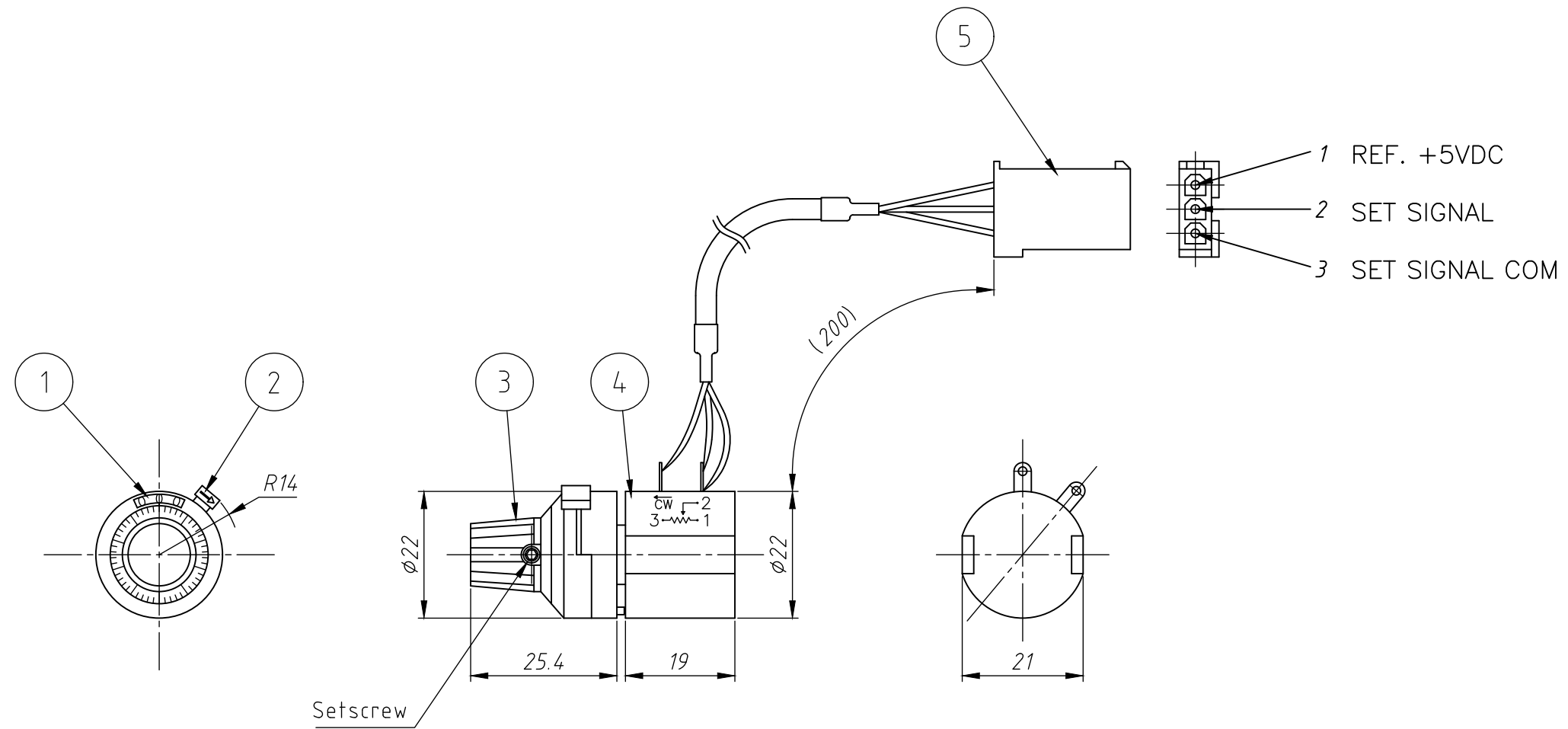
No.	NAME	SPECIFICATIONS	NOTES
SCALE	1 : 1	PROJECTION	

Rev.			
------	--	--	--

KOFLOC Corp.

DESIGNED	DRAWN	CHECKED	APPROVED
----	Yonamine		
DATE	26 / Mar / 2019		

DWG. No.	MR300034A1
TITLE	Flow Setting Device for Mass Flow Controller MODEL CK-2A
CUSTOMER	



Panel cut hole size

5	Connector	172234-1	AMP
4	Potentiometer	10turn,10kΩ	
3	Command Setting knob		
2	Locking lever		
1	Setting value indicator		
No.	NAME	SPECIFICATIONS	NOTES
SCALE	1 : 1	PROJECTION	
Rev.			
KOFLOC Corp.			
DESIGNED	DRAWN	CHECKED	APPROVED
----	Yonamine		
DATE	26 / Mar / 2019		