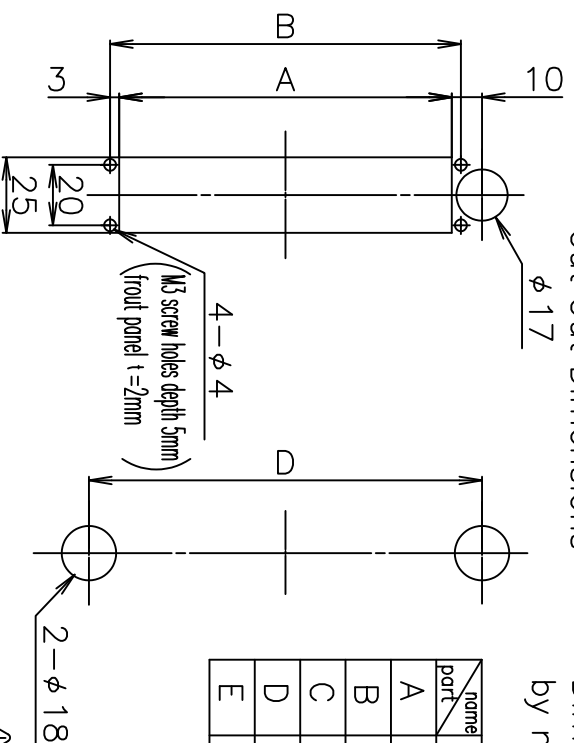


Cut Out Dimensions



Dimensions of each section by nominal size (mm)

name part	12	15	20	25
A	80	110	160	210
B	86	116	166	216
C	120	150	200	250
D	100	130	180	230
E	29	29	31	31

Standard Specifications

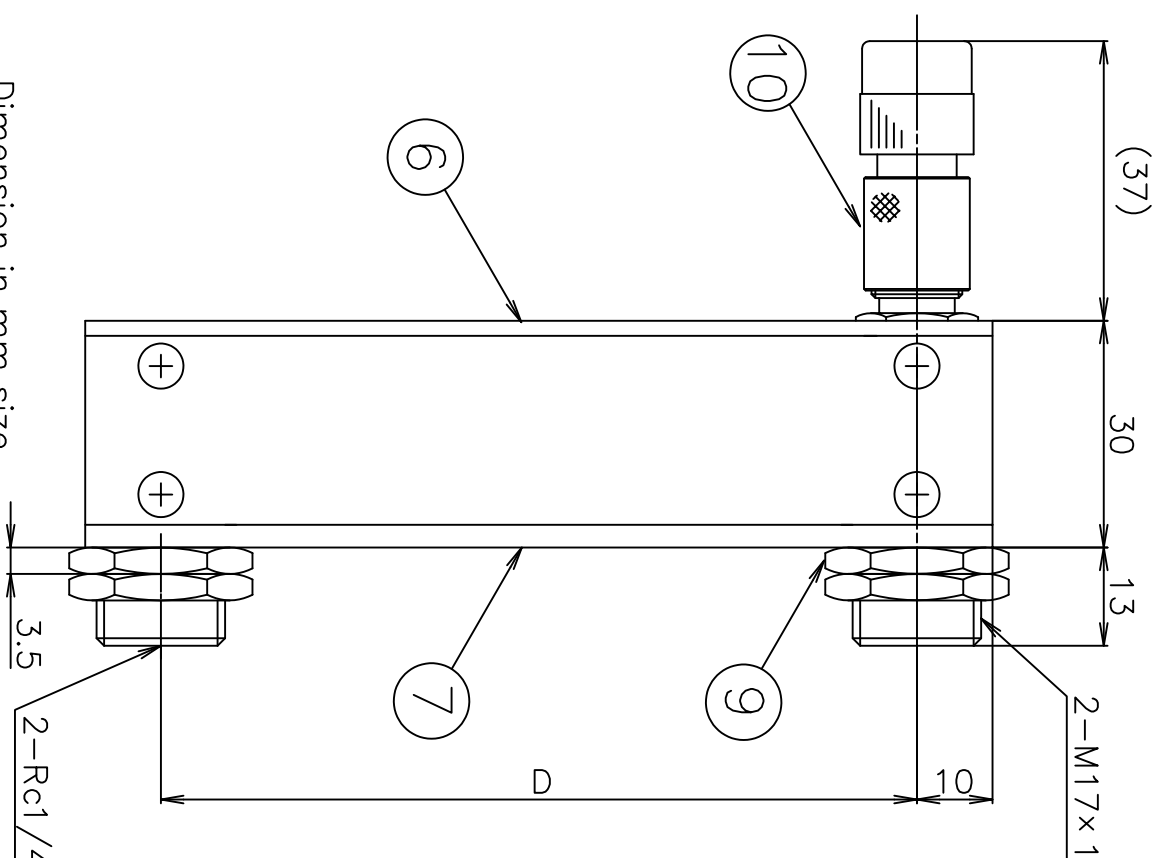
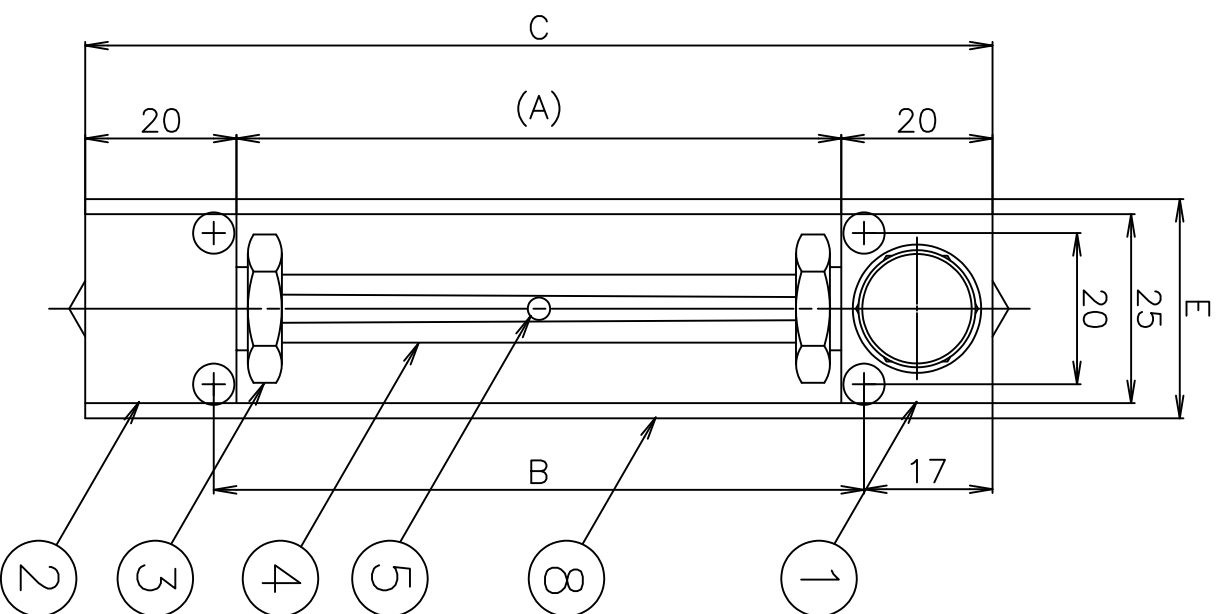
	Gases	Liquids
Fluids	Standard gases: Air, N <sub>2</sub> , O <sub>2</sub> , H <sub>2</sub> , He, Ar, CO <sub>2</sub> * Calculating calibration for other gases and consult about calibration of using gas	Standard liquid: H <sub>2</sub> O * Calculating calibration for other liquid and consult about calibration of using liquid
Flow range	Various standard ranges from 0.5 to 5ml/min and 3 to 30l/min (Air conversion-dtm)	Various standard ranges from 0.5 to 5ml/min and 0.1 to 1l/min
Proof pressure	1.0MPa for 100ml/min or less 0.7MPa for 5l/min or less 0.5MPa for 10l/min or more	1.0MPa for 5ml/min or less 0.7MPa for 150ml/min or less 0.5MPa for 200ml/min or more
Accuracy	F.S. ±2% (Measurement point)	
Available scale	10:1	
Temperature resistance	MAX60c	
Needle valve	Precision needle valve model 2412	
Connection end	Rc1/4 (Standard) φ 6 hoses nipple, φ 8 hoses nipple, etc. (Optional)	

Fluid contact materials	B	SS
	Brass, Hard glass, 316 stainless steel, NBR, POM (PTFE)	316 stainless steel, Hard glass, FKM, PCTFE (PTFE)

Dwg. No.	FR320004A1
Name	Flowmeter with precision needle valve MODEL RK1200 (Outline needle)
Customer	
MODEL: RK1200- Specifications	
Fluid:	
Flow rate:	
Total length:	
Material:	
Pressure: (inlet) (outlet)	
Temperature:	
Connection:	
Flout:	
Remarks:	

Panel flush mounting (tighten with front panel cover)  
Panel surface mounting (mount with supplied nuts)

**CAUTION!**  
To prevent breaking glass by float, DO NOT put pressure change directly on this flowmeter in case you set electromagnetic valve, open and shut it when lay the flowmeter.



Dimension in mm size

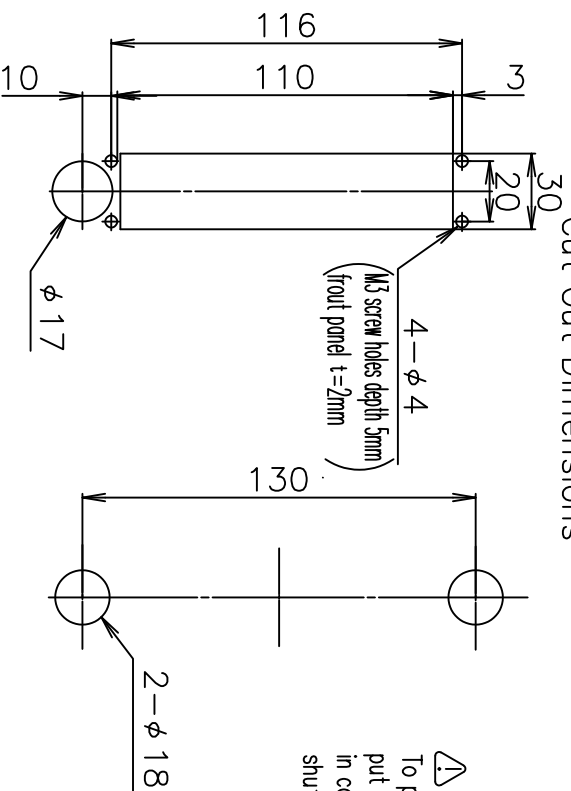
10	Needle valve	—	1	
9	Mounting nut	Brass	4	
8	Side plate	Al	2	
7	Back plate	Yellow acrylic resin	1	
6	Front plate	Clear acrylic resin	1	
5	Float	Hard glass or 316 stainless steel	1	
4	Tube	Hard glass	1	
3	Cap nut	Brass	2	
2	Lower block	Brass	1	
1	Upper block	Brass	1	
No.	NAME	B	SS	Qt. NOTES
SCALE		SPECIFICATION		
1/1				
3RD ANGLE PROJ.				

**KOFLOC Corp.**

DESIGNED	DRAWN	CHECKED	APPROVED
----------	-------	---------	----------

DATE / /

Cut Out Dimensions

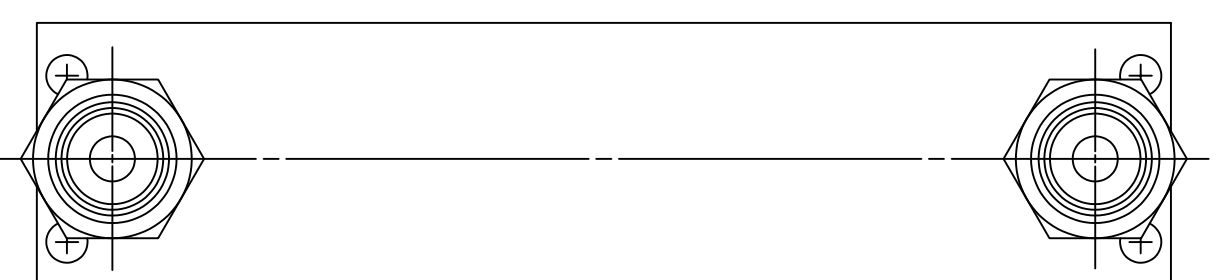
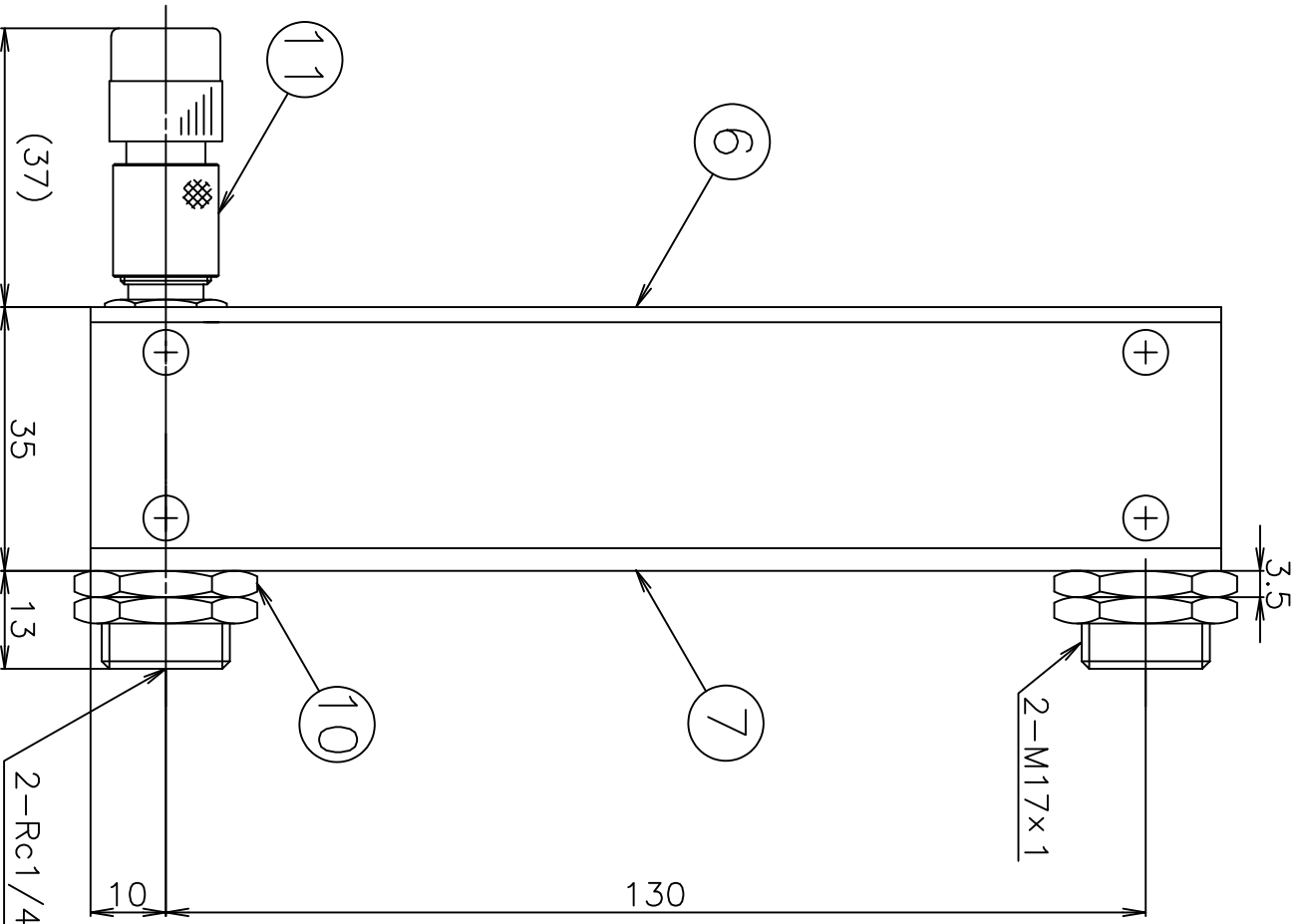
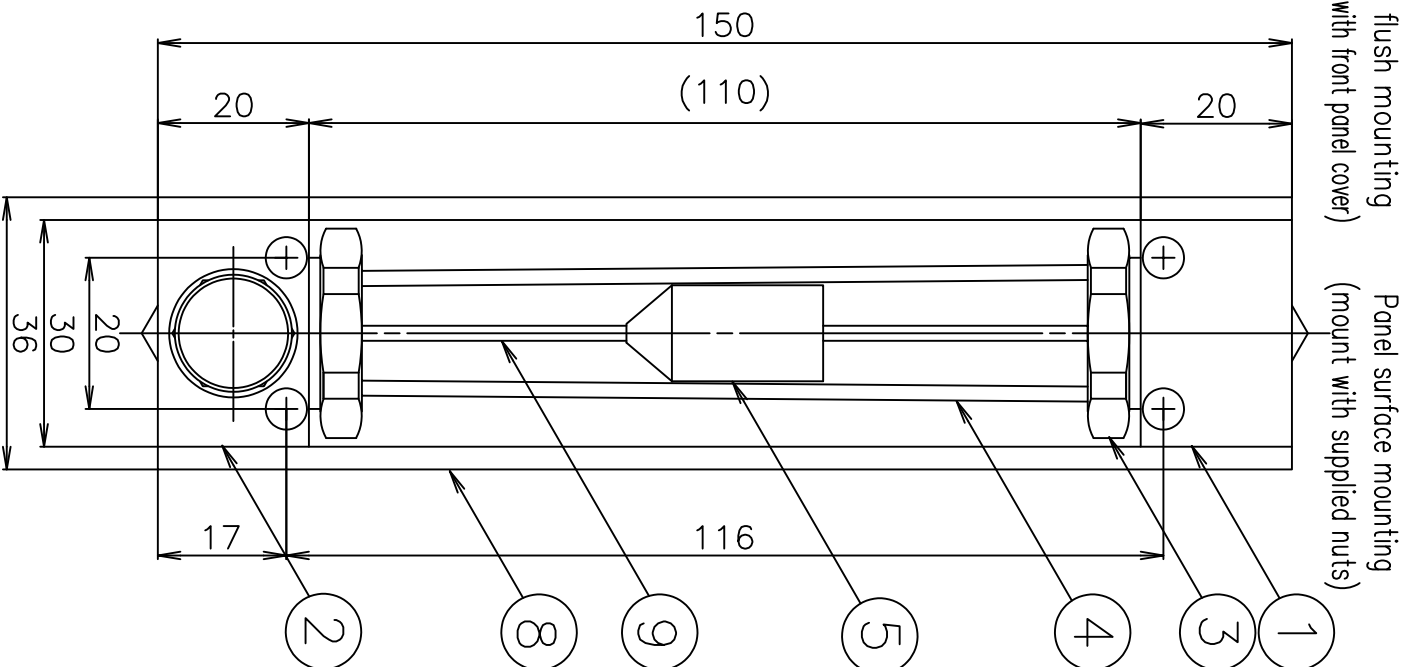


**CAUTION!**  
To prevent breaking glass by float, **DO NOT** put pressure change directly on this flowmeter in case you set electromagnetic valve, open and shut it when lay the flowmeter.

Standard Specifications

	Gases	Liquids
Fluids	Standard gases: AIR, N <sub>2</sub> , O <sub>2</sub> , H <sub>2</sub> , He, Ar, CO <sub>2</sub> * Calculating calibration for other gases and consult about calibration of using gas	Standard liquid: H <sub>2</sub> O * Calculating calibration for other liquid and consult about calibration of using liquid
Flow range	Various standard ranges from 6 to 60l/min and within 10 to 100l/min (for conversion-dtm)	0.2 to 2l/min
Proof pressure	0.5MPa	
Accuracy	F.S. ±2% (Measurement point)	
Available scale	10:1	
Temperature resistance	MAX60°C	
Needle valve	Precision needle valve model 2412	
Connection end	Rc1/4 (Standard) phi 6 hoses nipple, phi 8 hoses nipple, etc. (Optional)	
Fluid contact materials	B Brass, Hard glass, 316 stainless steel, NBR, POM	SS 316 stainless steel, Hard glass, FKM, PCTFE

Dwg. No.	FR320005A1
Name	Flowmeter with precision needle valve
Customer	MODEL RK1200 (inline needle)
MODEL:	RK1200-**-D
Specifications	
Fluid:	
Flow rate:	
Total length:	
Material:	
Pressure:	(inlet) (outlet)
Temperature:	
Connection:	
Remarks:	



11	Needle valve		1
10	Mounting nut	Brass	4
9	Shaft	316 Stainless steel	1
8	Side plate	Al	2
7	Back plate	Yellow acrylic resin	1
6	Front plate	Clear acrylic resin	1
5	Float	316 Stainless steel	1
4	Tube	Hard glass	1
3	Cap nut	Brass	2
2	Lower block	Brass 316 Stainless steel	1
1	Upper block	Brass 316 Stainless steel	1

No.	NAME	SPECIFICATION		Qt.	NOTES
		B	SS		
SCALE	1/1				
3RD ANGLE PROJ. V					

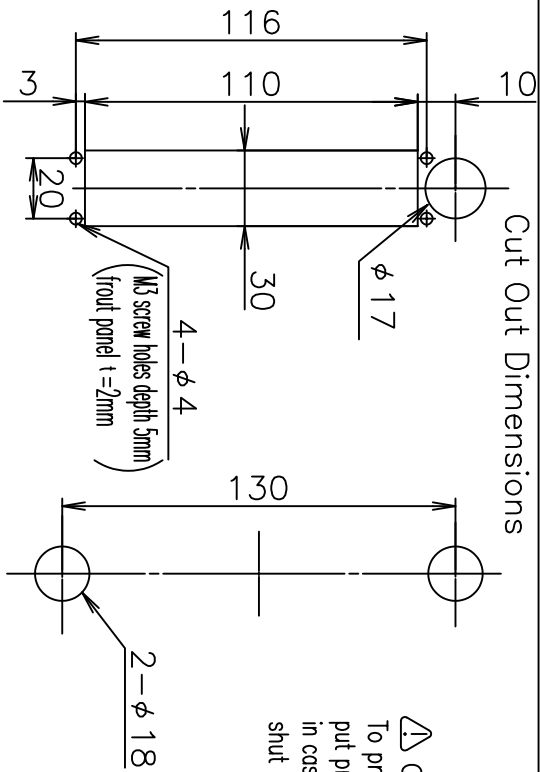
**KOFLOC Corp.**

DESIGNED	DRAWN	CHECKED	APPROVED
----------	-------	---------	----------

DATE / /

Dimension in mm size

Cut Out Dimensions



**CAUTION!**  
To prevent breaking glass by float, **DO NOT** put pressure change directly on this flowmeter in case you set electromagnetic valve, open and shut it when lay the flowmeter.

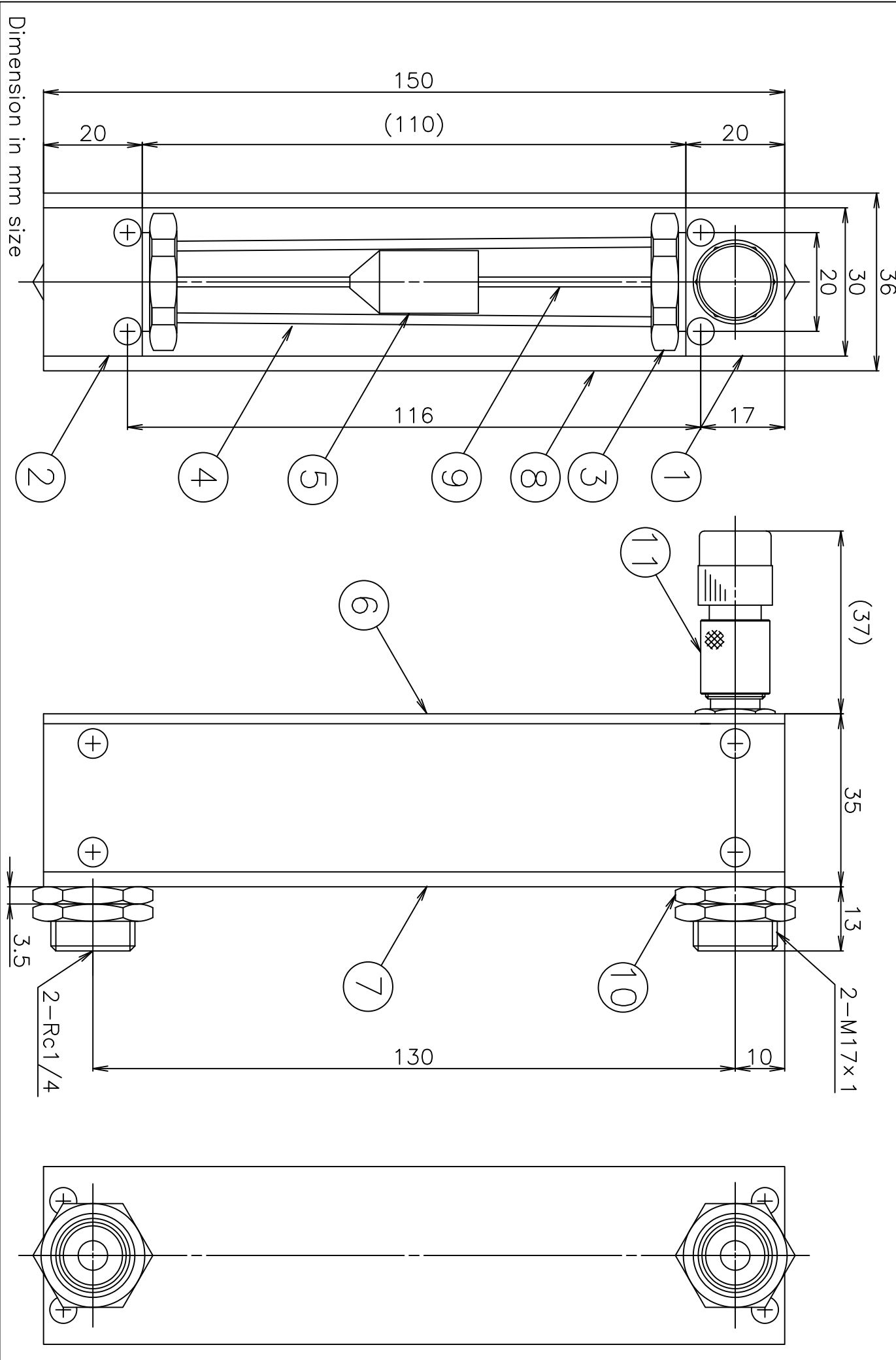
Panel flush mounting  
(tighten with front panel cover)

Panel surface mounting  
(mount with supplied nuts)

Standard Specifications

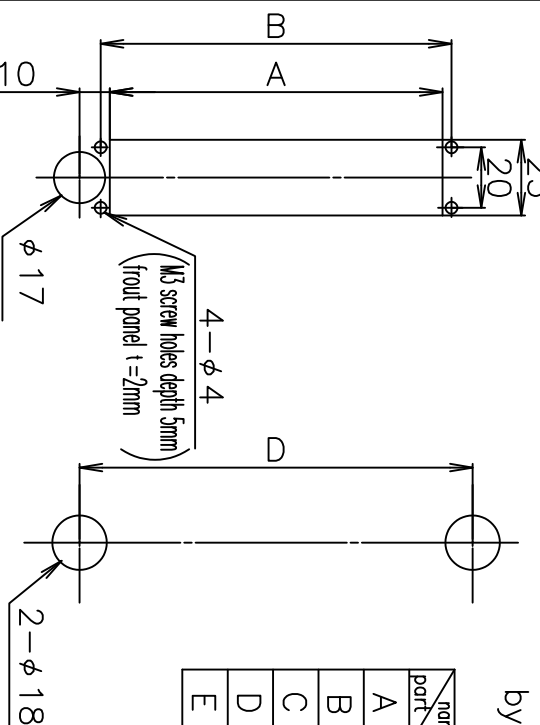
	Gases	Liquids
Fluids	Standard gases: AIR, N <sub>2</sub> , O <sub>2</sub> , H <sub>2</sub> , He, Ar, CO <sub>2</sub> * Calculating calibration for other gases and consult about calibration of using gas	Standard liquid: H <sub>2</sub> O * Calculating calibration for other liquid and consult about calibration of using liquid
Flow range	Various standard ranges from 6 to 60l/min and within 10 to 100l/min (Air conversion-dtm)	0.2 to 2l/min
Proof pressure	0.5MPa	
Accuracy	F.S.±2% (Measurement point)	
Available scale	10:1	
Temperature resistance	MAX60°C	
Needle valve	Precision needle valve model 2412	
Connection end	Rc1/4 (Standard) φ 6 hoses nipple, φ 8 hoses nipple, etc. (Optional)	
Fluid contact materials	B Brass, Hard glass, 316 stainless steel, NBR, POM	SS 316 stainless steel, Hard glass, FKM, PCTFE

Dwg. No. FR320006A1  
Name Flowmeter with precision needle valve  
MODEL RK1200 (Outline needle)  
Customer  
MODEL:RK1200-  
Specifications  
Fluid:  
Flow rate:  
Total length:  
Material:  
Pressure: (inlet) (outlet)  
Temperature:  
Connection:  
Remarks:



11	Needle valve	—	1	
10	Mounting nut	Brass	4	
9	Shaft	316 Stainless steel	1	
8	Side plate	Al	2	
7	Back plate	Yellow acrylic resin	1	
6	Front plate	Clear acrylic resin	1	
5	Float	316 Stainless steel	1	
4	Tube	Hard glass	1	
3	Cap nut	Brass	2	
2	Lower block	Brass	1	
1	Upper block	Brass	1	
No.	NAME	B	SS	Qt. NOTES
SCALE		SPECIFICATION		
1/1				
3RD ANGLE PROJ.				
<b>KOFLOC Corp.</b>				
DESIGNED	DRAWN	CHECKED	APPROVED	
DATE				

Cut Out Dimensions



name part	12	15	20	25
A	80	110	160	210
B	86	116	166	216
C	120	150	200	250
D	100	130	180	230
E	29	29	31	31

Dimensions of each section by nominal size (mm)

Standard Specifications

	Gases	Liquids
Fluids	Standard gases: Air, N <sub>2</sub> , O <sub>2</sub> , H <sub>2</sub> , He, Ar, CO <sub>2</sub> * Calculating calibration for other gases and consult about calibration of using gas	Standard liquid: H <sub>2</sub> O * Calculating calibration for other liquid and consult about calibration of using liquid
Flow range	Various standard ranges from 0.5 to 5ml/min and 3 to 30l/min (Air conversion-dtm)	Various standard ranges from 0.5 to 5ml/min and 0.1 to 1l/min
Proof pressure	1.0MPa for 100ml/min or less 0.7MPa for 5l/min or less 0.5MPa for 10l/min or more	1.0MPa for 5ml/min or less 0.7MPa for 150ml/min or less 0.5MPa for 200ml/min or more
Accuracy	F.S. ±2% (Measurement point)	
Available scale	10:1	
Temperature resistance	MAX60°C	
Needle valve	Precision needle valve model 2412	
Connection end	Rc1/4 (Standard) φ6 hoses nipple, φ8 hoses nipple, etc. (Optional)	

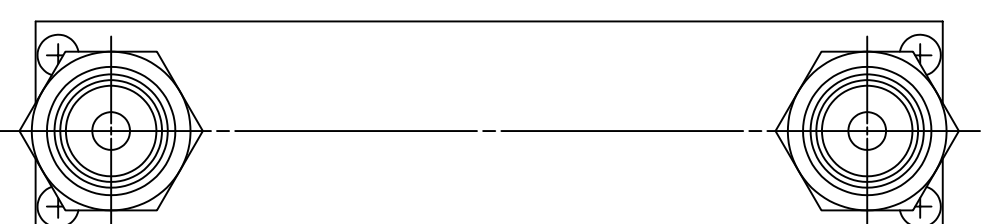
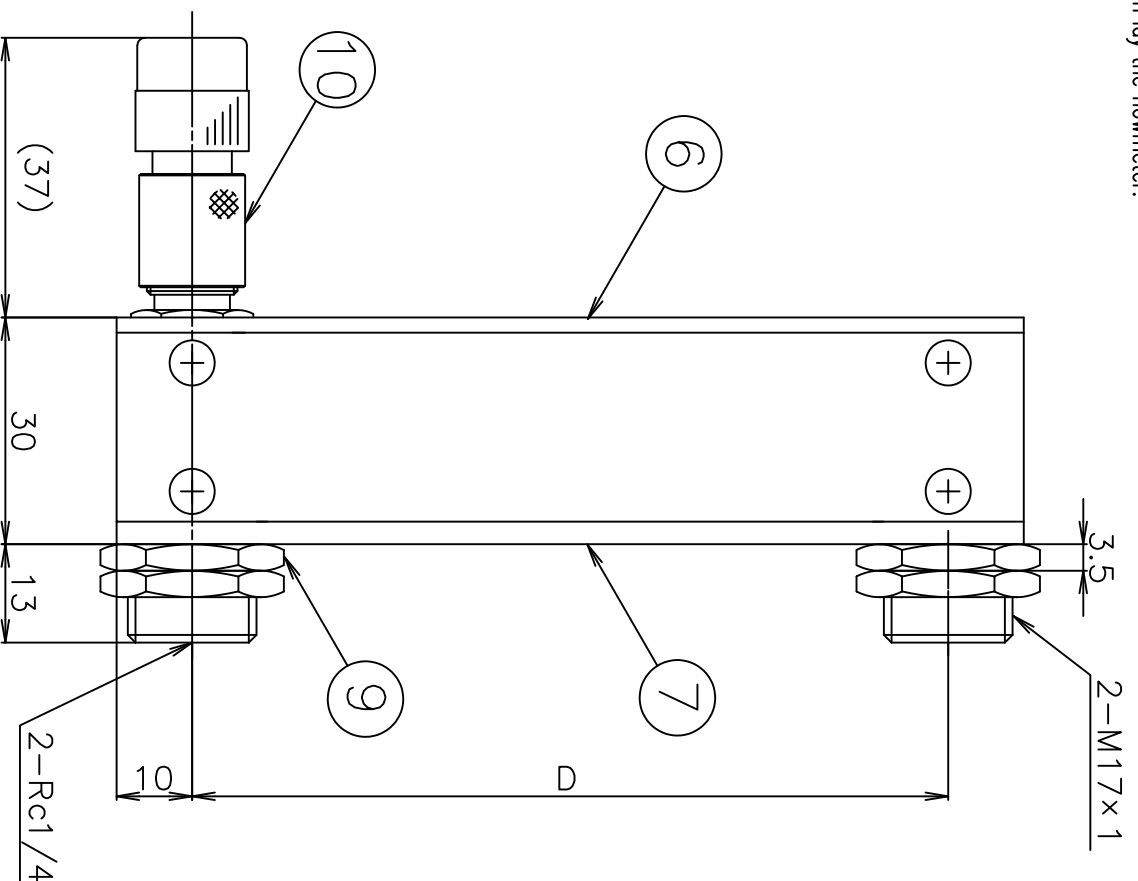
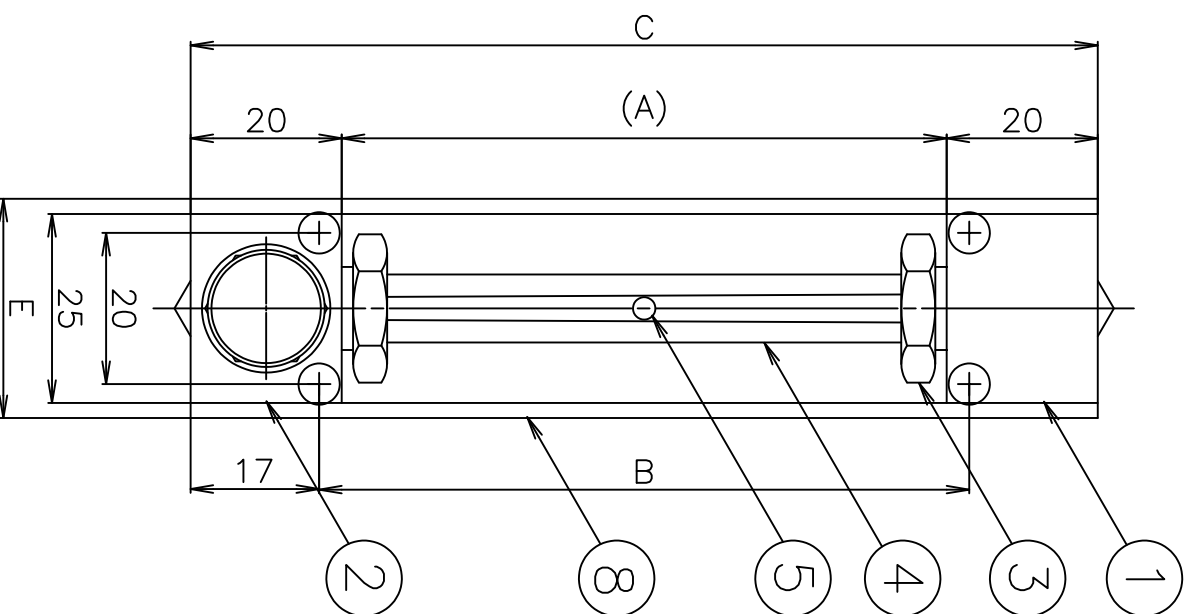
	B	SS
Fluid contact materials	Brass, Hard glass, 316 stainless steel, NBR, POM (PTFE)	316 stainless steel, Hard glass, FK, PCTFE (PTFE)

Dwg. No.	FR320003A1
Name	Flowmeter with precision needle valve MODEL RK1200 (inline needle)
Customer	
MODEL: RK1200- Specifications	
Fluid:	
Flow rate:	
Total length:	
Material:	
Pressure: (inlet) (outlet)	
Temperature:	
Connection:	
Float:	
Remarks:	

Panel flush mounting  
(tighten with front panel cover)

Panel surface mounting  
(mount with supplied nuts)

⚠ CAUTION!  
To prevent breaking glass by float, DO NOT put pressure change directly on this flowmeter in case you set electromagnetic valve, open and shut it when lay the flowmeter.



Dimension in mm size

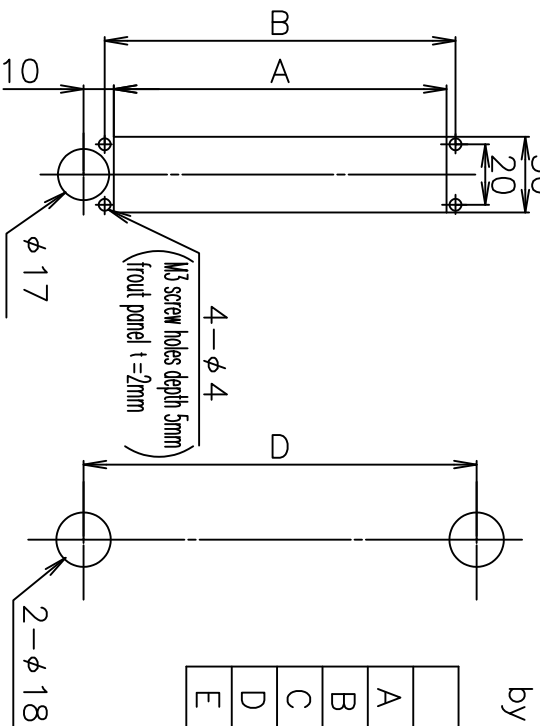
10	Needle valve	—	1	
9	Mounting nut	Brass	4	
8	Side plate	Al	2	
7	Back plate	Yellow acrylic resin	1	
6	Front plate	Clear acrylic resin	1	
5	Float	Hard glass or 316 stainless steel	1	
4	Tube	Hard glass	1	
3	Cap nut	Brass	2	
2	Lower block	Brass 316 stainless steel	1	
1	Upper block	Brass 316 stainless steel	1	
No.	NAME	B	SS	Qt. NOTES
SCALE	1/1	SPECIFICATION		
3RD ANGLE PROJ. R E V				

**KOFLOC Corp.**

DESIGNED	DRAWN	CHECKED	APPROVED
----------	-------	---------	----------

DATE	/	/
------	---	---

Cut Out Dimensions



Dimensions of each section by nominal size (mm)	12	15	20	25
A	80	110	160	210
B	86	116	166	216
C	120	150	200	250
D	100	130	180	230
E	29	29	31	31

Dimensions of each section by nominal size (mm)

Panel flush mounting (tighten with front panel cover)

Panel surface mounting (mount with supplied nuts)

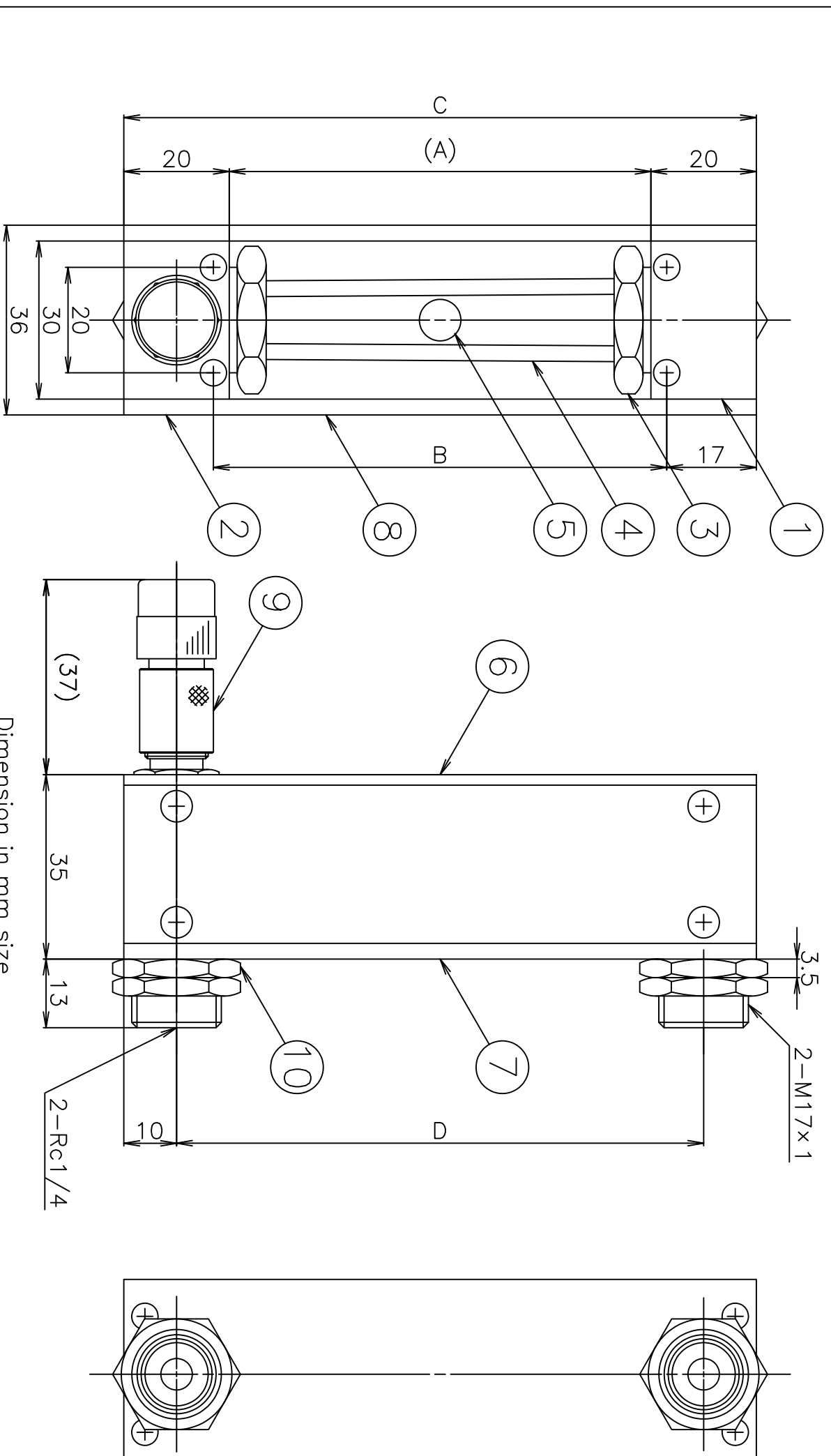
**CAUTION!**  
To prevent breaking glass by float, DO NOT put pressure change directly on this flowmeter in case you set electromagnetic valve, open and shut it when lay the flowmeter.

Standard Specifications

	Gas	Liquid
Fluids	Standard gases: AIR, N <sub>2</sub> , O <sub>2</sub> , H <sub>2</sub> , He, Ar, CO <sub>2</sub> * Calculating calibration for other gases and consult about calibration of using gas	Standard liquid: H <sub>2</sub> O * Calculating calibration for other liquid and consult about calibration of using liquid
Flow range	Various standard ranges from 4 to 40l/min and 5 to 50l/min (Air conversion-dtm)	0.15 to 1.5l/min
Proof pressure	0.5MPa	
Accuracy	F.S.±2% (Measurement point)	
Available scale	10:1	
Temperature resistance	MAX60°C	
Needle valve	Precision needle valve model 2412	
Connection end	Rc1/4 (Standard) phi 6 hoses nipple, phi 8 hoses nipple, etc. (Optional)	
Fluid contact materials	B Brass, 316 stainless steel, NBR, POM, Hard glass, PTFE	SS 316 stainless steel, FKM, PCTFE, Hard glass, PTFE

Dwg. No.	FR320202A1
Name	Flowmeter with Precision Needle Valve MODEL: RK1200(30 square) (inline needle)
Customer	
MODEL	: RK1200-

Fluid: \_\_\_\_\_  
Flow rate: \_\_\_\_\_  
Total length: \_\_\_\_\_  
Material: \_\_\_\_\_  
Pressure: (inlet) \_\_\_\_\_ (outlet) \_\_\_\_\_  
Temperature: \_\_\_\_\_  
Connection: \_\_\_\_\_  
Remarks: \_\_\_\_\_



Dimension in mm size

10	Mounting nut	Brass	4
9	Needle valve	—	1
8	Side plate	Al	2
7	Back plate	Yellow acrylic resin	1
6	Front plate	Clear acrylic resin	1
5	Float	316 Stainless steel	1
4	Tube	Hard glass	1
3	Cap nut	Brass	2
2	Lower block	Brass 316 Stainless steel	1
1	Upper block	Brass 316 Stainless steel	1

No.	NAME	SPECIFICATION		Qt.	NOTES
		B	SS		
SCALE 1/1					
3RD ANGLE PROJ. V					

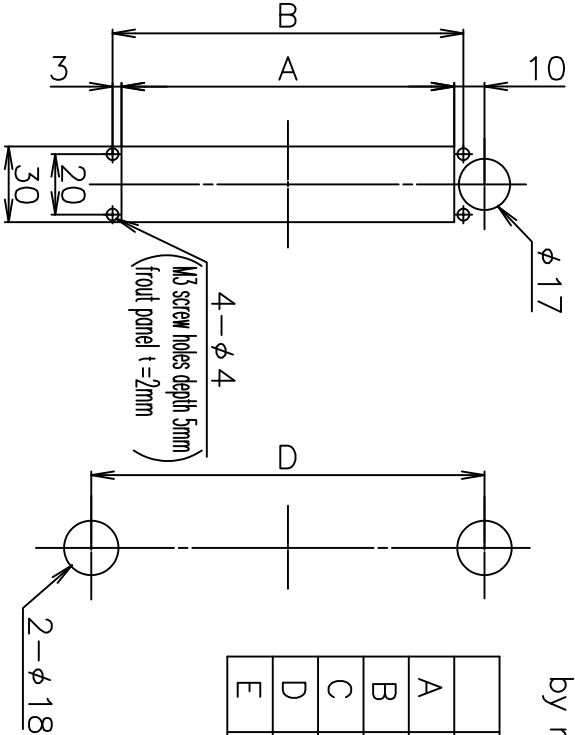
**KOFLOC Corp.**

DESIGNED	DRAWN	CHECKED	APPROVED
DATE			

Cut Out Dimensions

Dimensions of each section by nominal size (mm)

	12	15	20	25
A	80	110	160	210
B	86	116	166	216
C	120	150	200	250
D	100	130	180	230
E	29	29	31	31



Panel flush mounting (tighten with front panel cover)

Panel surface mounting (mount with supplied nuts)

**CAUTION!**  
To prevent breaking glass by float, DO NOT put pressure change directly on this flowmeter in case you set electromagnetic valve, open and shut it when lay the flowmeter.

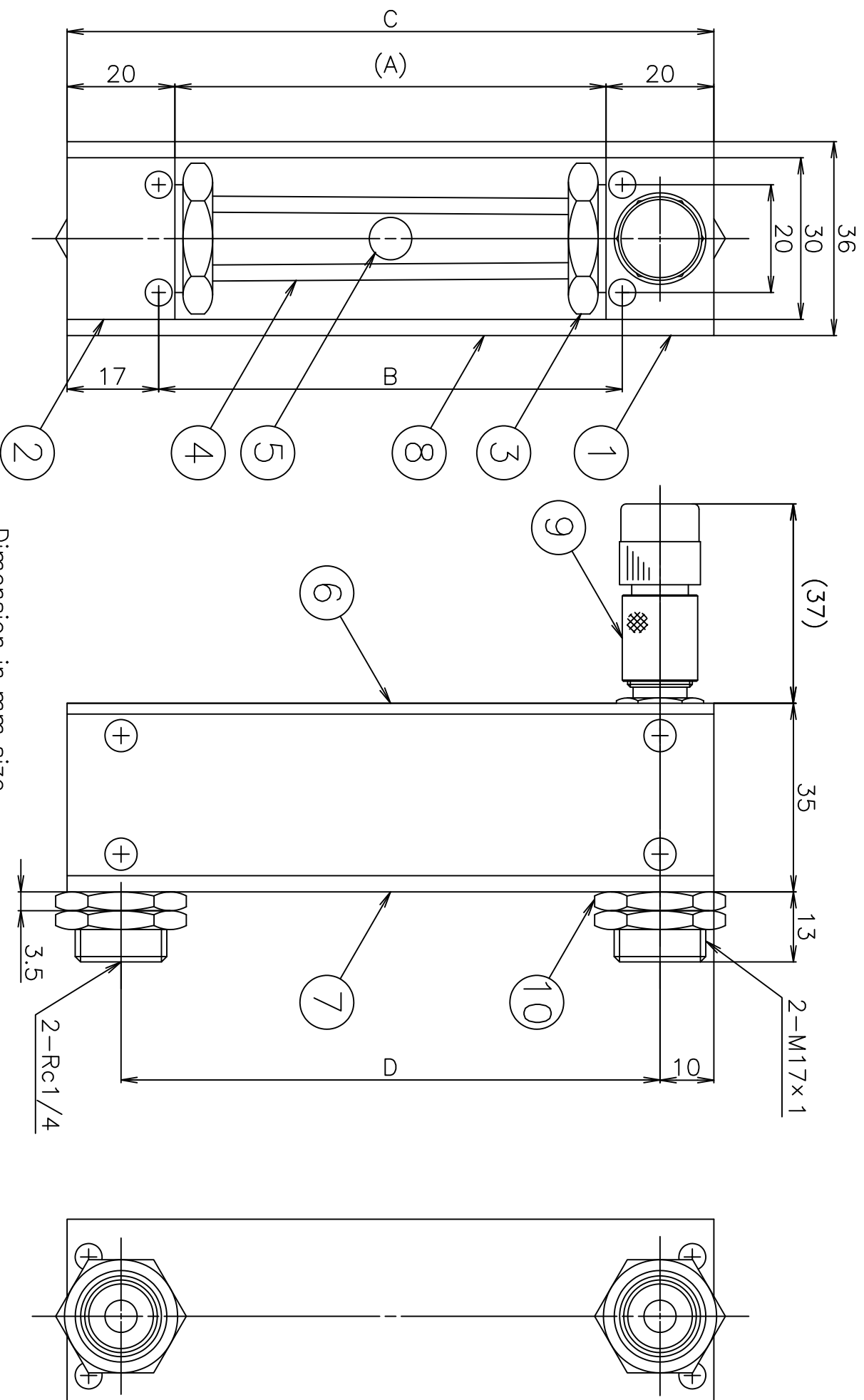
Standard Specifications

Fluids	Gas	Liquid
Flow range	Standard gases: AIR, N <sub>2</sub> , O <sub>2</sub> , H <sub>2</sub> , He, Ar, CO <sub>2</sub> * Calculating calibration for other gases and consult about calibration of using gas Various standard ranges from 4 to 40l/min and 5 to 50l/min (Air conversion-dtm)	* Calculating calibration for other liquid and consult about calibration of using liquid 0.15 to 1.5l/min
Proof pressure	0.5MPa	
Accuracy	F.S.±2% (Measurement point)	
Available scale	10:1	
Temperature resistance	MAX60°C	
Needle valve	Precision needle valve model 2412	
Connection end	Rc1/4 (Standard) phi 6 hoses nipple, phi 8 hoses nipple, etc. (Optional)	
Fluid contact materials	B Brass, 316 stainless steel, NBR, POM, Hard glass, PTFE	SS 316 stainless steel, FKM, PCTFE, Hard glass, PTFE

Dwg. No.	FR320203A1
Name	Flowmeter with Precision Needle Valve MODEL RK1200(30 square) (Outline needle)
Customer	

MODEL: RK1200-  
Specifications

Fluid: \_\_\_\_\_  
Flow rate: \_\_\_\_\_  
Total length: \_\_\_\_\_  
Material: \_\_\_\_\_  
Pressure: (inlet) (outlet)  
Temperature: \_\_\_\_\_  
Connection: \_\_\_\_\_  
Remarks: \_\_\_\_\_



Dimension in mm size

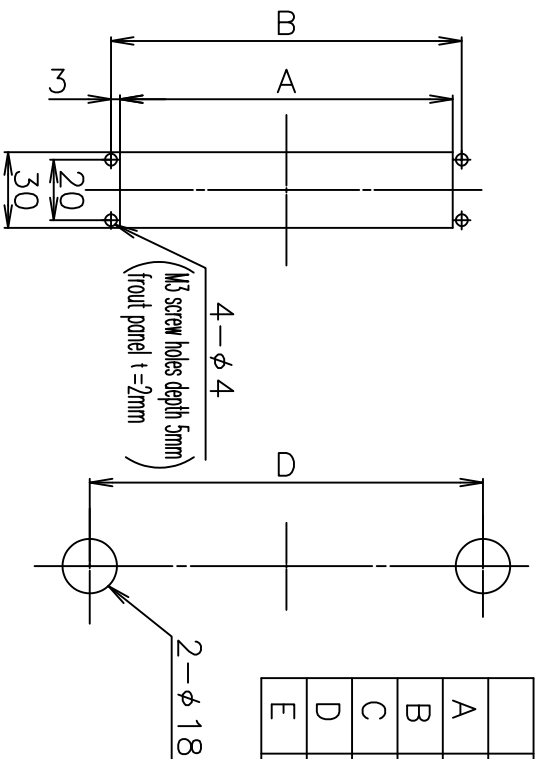
10	Mounting nut	Brass	4
9	Needle valve	—	1
8	Side plate	Al	2
7	Back plate	Yellow acrylic resin	1
6	Front plate	Clear acrylic resin	1
5	Float	316 Stainless steel	1
4	Tube	Hard glass	1
3	Cap nut	Brass	2
2	Lower block	Brass 316 Stainless steel	1
1	Upper block	Brass 316 Stainless steel	1
No.	NAME	B SS	Qt. NOTES
SCALE	1/1	R E V	
3RD ANGLE PROJ. V			

**KOFLOC Corp.**

DESIGNED DRAWN CHECKED APPROVED

DATE / /

Cut Out Dimensions



Dimensions of each section by nominal size (mm)

	12	15	20	25
A	80	110	160	210
B	86	116	166	216
C	120	150	200	250
D	100	130	180	230
E	29	29	31	31

Standard Specifications

Fluids	Gas	Liquid
Flow range	Standard gases: AIR, N <sub>2</sub> , O <sub>2</sub> , H <sub>2</sub> , He, Ar, CO <sub>2</sub> * Calculating calibration for other gases and consult about calibration of using gas Various standard ranges from 4 to 40l/min and 5 to 50l/min (Air conversion-dtm)	Standard liquid: H <sub>2</sub> O * Calculating calibration for other liquid and consult about calibration of using liquid 0.15 to 1.5l/min
Proof pressure	0.5MPa	
Accuracy	F.S. ±2% (Measurement point)	
Available scale	10:1	
Temperature resistance	MAX60°C	
Connection end	Rc1/4 (Standard) φ6 hoses nipple, φ8 hoses nipple, etc. (Optional)	(Optional)
Fluid contact materials	B Brass, 316 stainless steel, NBR, Hard glass, PTFE	SS 316 stainless steel, FKM, PTFE Hard glass

DWG. No.	FR320204A1
NAME	PRECISION FLOWMETER
CUSTOMER	MODEL RK1400 (30 square)

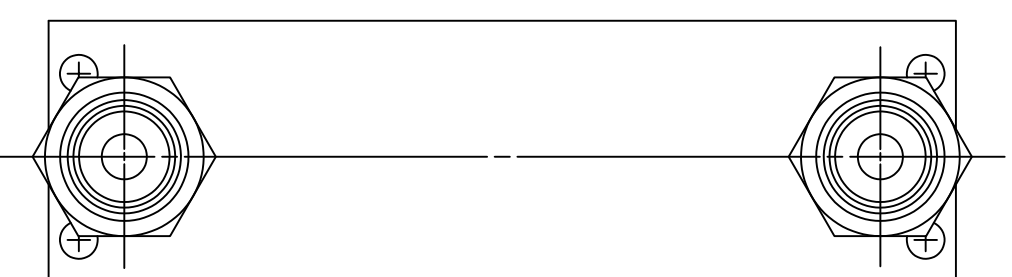
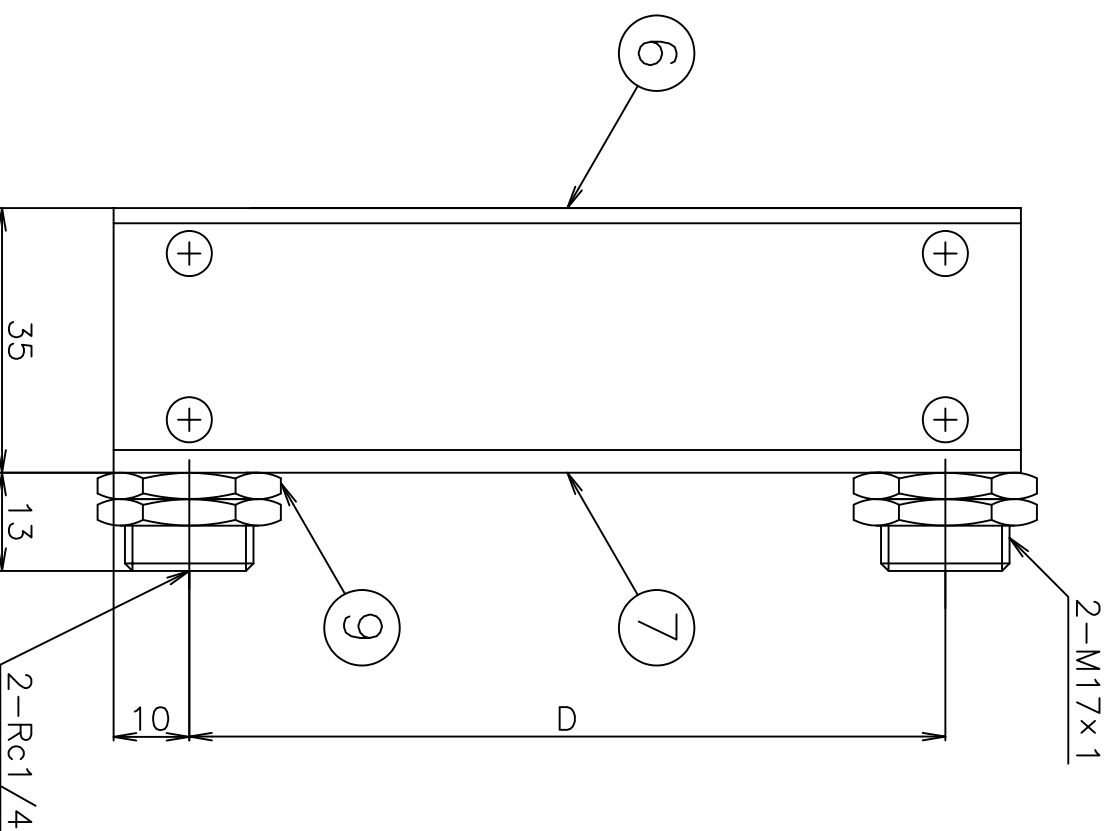
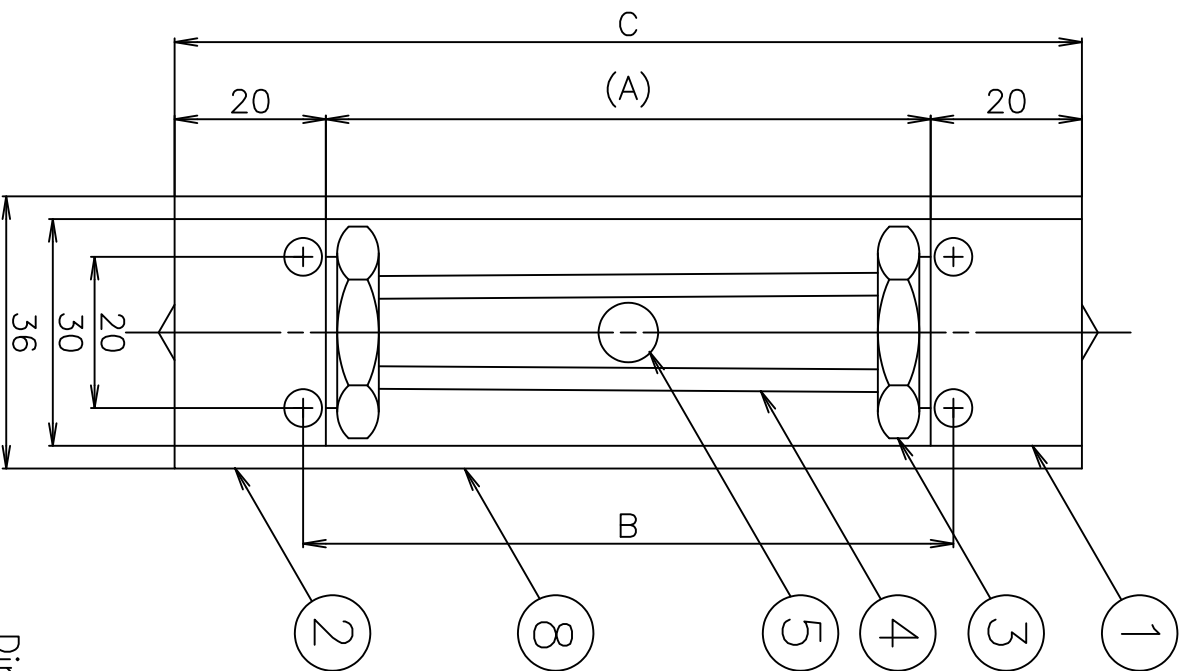
Specifications

MODEL: RK1400-  
 Fluid:  
 Flow rate:  
 Total length:  
 Material:  
 Temperature:  
 Connection:  
 Remarks:

Panel flush mounting  
(tighten with front panel cover)

Panel surface mounting  
(mount with supplied nuts)

**CAUTION!**  
 To prevent breaking glass by float, **DO NOT** put pressure change directly on this flowmeter in case you set electromagnetic valve, open and shut it when lay the flowmeter.



9	Mounting nut	Brass	4
8	Side plate	Al	2
7	Back plate	Yellow acrylic resin	1
6	Front plate	Clear acrylic resin	1
5	Float	316 Stainless steel	1
4	Tube	Hard glass	1
3	Cap nut	Brass	2
2	Lower block	Brass 316 Stainless steel	1
1	Upper block	Brass 316 Stainless steel	1

No.	NAME	B	SS	Qt.	NOTES
SCALE	1/1				
3RD ANGLE PROJ.	R	E	V		

**KOFLOC Corp.**

DESIGNED	DRAWN	CHECKED	APPROVED
----------	-------	---------	----------

DATE / /

Dimension in mm size