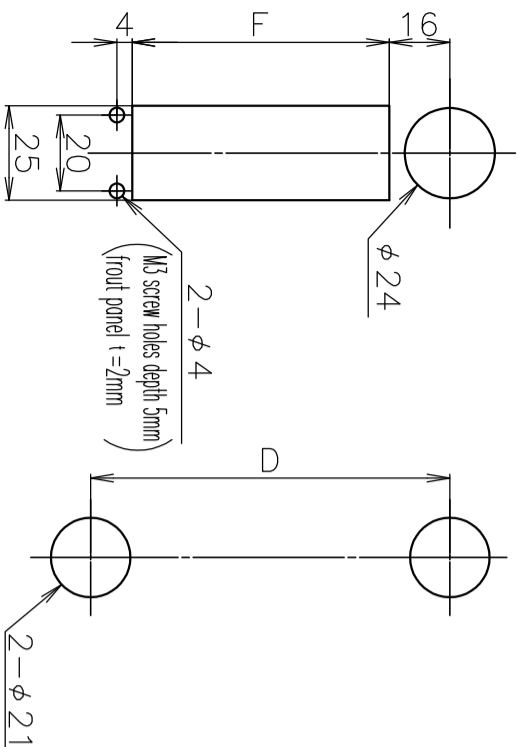


Cut Out Dimensions



Dimensions of each section by nominal size (mm)

name part	A	B	C	D	E	F
12	120	70	88	95	29	68
15	150	100	118	125	29	98
20	200	150	168	175	31	148
25	250	200	218	225	31	198

CAUTION!

To prevent breaking glass by float, **DO NOT** put pressure change directly on this flowmeter in case you set electromagnetic valve, open and shut it when lay the flowmeter.

Standard Specifications

	Gases	Liquids
Fluids	Standard gases: Air, N ₂ , O ₂ , H ₂ , He, Ar, CO ₂ * Calculating calibration for other gases and consult about calibration of using gas	Standard liquid: H ₂ O * Calculating calibration for other liquid and consult about calibration of using liquid
Flow range	Various standard ranges from 0.5 to 5mL/min and 3 to 30L/min (Air conversion-attn)	Various standard ranges from 0.5 to 5mL/min and 0.1 to 1L/min
Proof pressure	1.0MPa(G) for 100mL/min or less 0.7MPa(G) for 5L/min or less 0.5MPa(G) for 10L/min or more	1.0MPa(G) for 5mL/min or less 0.7MPa(G) for 150mL/min or less 0.5MPa(G) for 200mL/min or more
Accuracy	F.S. ±2% (Measurement point)	
Available scale	10:1	
Temperature resistance	MAX60°	
Needle valve	Bellows needle valve model 2450	
Fluid contact materials	316 stainless steel, Hard glass, FKM, PCTFE (PTFE)	
Connection end	1/4"SW (Standard) 1/8"SW, 1/4"VCR(Optional)	
Leak testing	below 2x10 ⁻⁸ Pa · m ³ /sec	

Dwg. No. FR320064A1

Name Flowmeter with bellows needle valve
MODEL RK1500 (Outline needle)

Customer

MODEL: RK1500-

Specifications

Fluid:

Flow rate:

Total length:

Pressure: (inlet) (outlet)

Temperature:

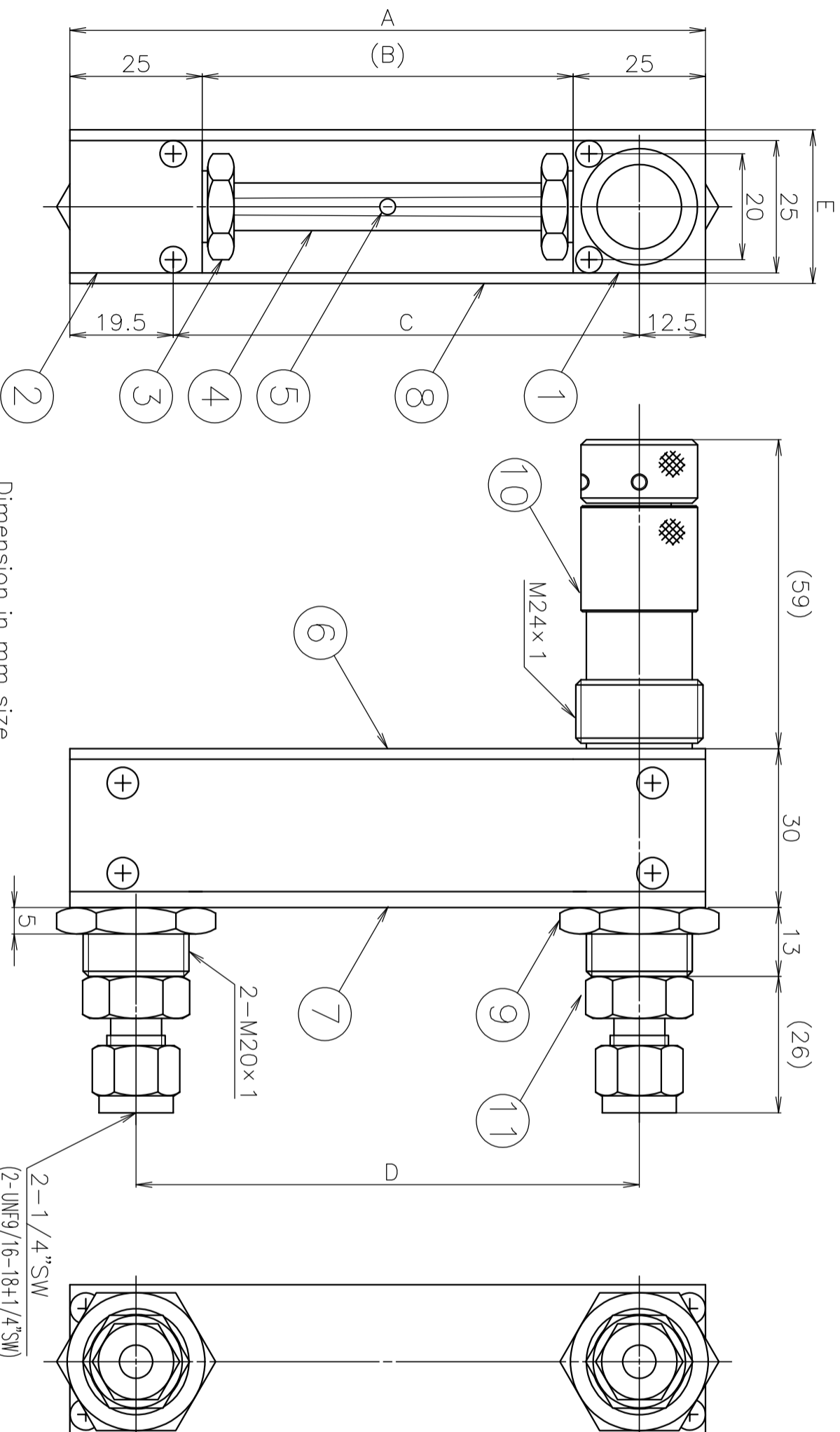
Connection:

Floater:

Remarks:

Panel flush mounting
(tighten with front panel cover)
(front mounting nut (optional))

Panel surface mounting
(mount with supplied nuts)



Dimension in mm size

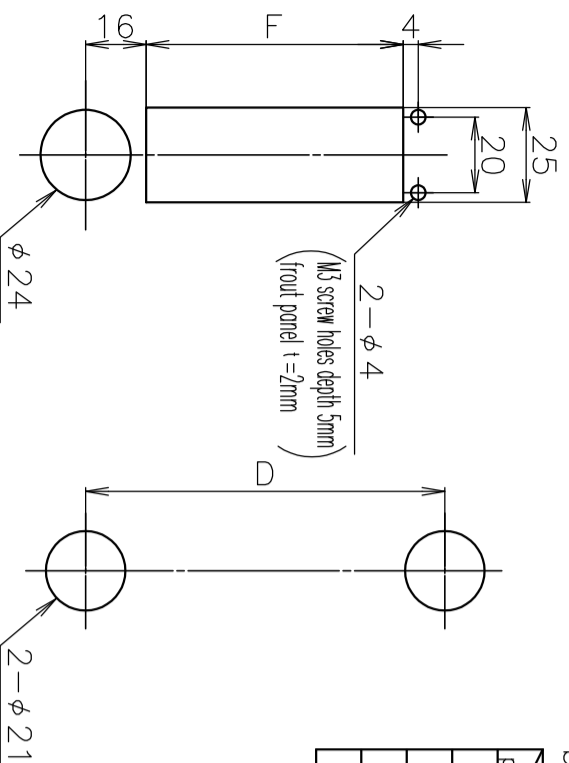
11	Fitting	316 Stainless steel	2	
10	Needle valve	—	1	
9	Mounting nut	Brass	2	
8	Side plate	Al	2	
7	Back plate	Yellow acrylic resin	1	
6	Front plate	Clear acrylic resin	1	
5	Floater	Hard glass or 316 Stainless steel	1	
4	Tube	Hard glass	1	
3	Cap nut	Brass	2	
2	Lower block	316 Stainless steel	1	
1	Upper block	316 Stainless steel	1	
No.	NAME	MATERIAL	Qt.	NOTES
SCALE	1/1			
3RD ANGLE PROJ. R E V				

KOFLOC Corp.

DESIGNED DRAWN CHECKED APPROVED

DATE / /

Cut Out Dimensions



Dimensions of each section by nominal size (mm)

name part	A	B	C	D	E	F
12	120	70	88	95	29	68
15	150	100	118	125	29	98
20	200	150	168	175	31	148
25	250	200	218	225	31	198

CAUTION!

To prevent breaking glass by float, **DO NOT** put pressure change directly on this flowmeter in case you set electromagnetic valve, open and shut it when lay the flowmeter.

Standard Specifications

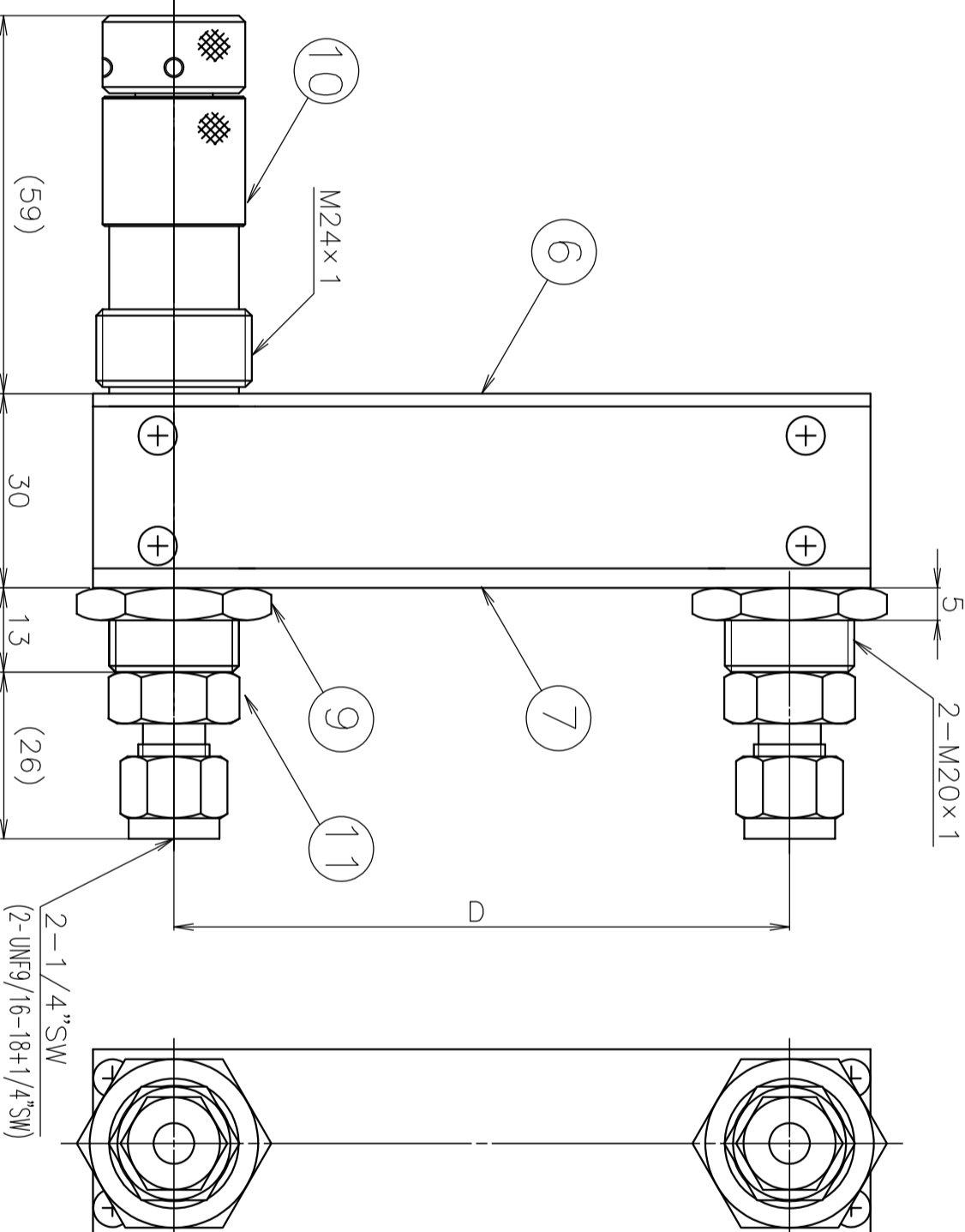
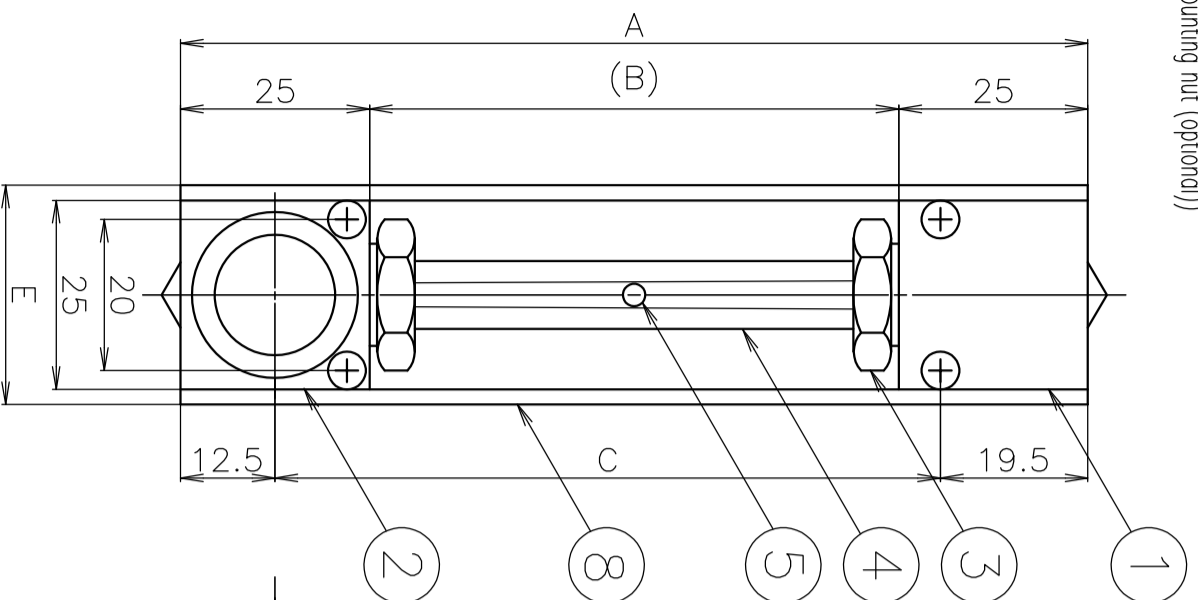
	Gases	Liquids
Fluids	Standard gases: AIR, N ₂ , O ₂ , H ₂ , He, Ar, CO ₂ * Calculating calibration for other gases and consult about calibration of using gas	Standard liquid: H ₂ O * Calculating calibration for other liquid and consult about calibration of using liquid
Flow range	Various standard ranges from 0.5 to 5mL/min and 3 to 30L/min (Air conversion-atm)	Various standard ranges from 0.5 to 5mL/min and 0.1 to 1L/min
Proof pressure	1.0MPa(G) for 100mL/min or less 0.7MPa(G) for 5L/min or less 0.5MPa(G) for 10L/min or more	1.0MPa(G) for 5mL/min or less 0.7MPa(G) for 150mL/min or less 0.5MPa(G) for 200mL/min or more
Accuracy	F.S. ±2% (Measurement point)	
Available scale	10:1	
Temperature resistance	MAX60°	
Needle valve	Bellows needle valve model 2450	
Fluid contact materials	316 stainless steel, Hard glass, FKM, PCTFE (PTFE)	
Connection end	1/4"SW (Standard) 1/8"SW, 1/4"VCR(Optional)	
Leak testing	below 2x10 ⁻⁸ Pa · m ³ /sec	

Dwg. No. FR320063A1
 Name Flowmeter with bellows needle valve
 MODEL RK1500 (inline needle)
 Customer
 MODEL: RK1500-
 Specifications

Fluid:
 Flow rate:
 Total length:
 Pressure: (inlet) (outlet)
 Temperature:
 Connection:
 Float:
 Remarks:

Panel flush mounting
 (tighten with front panel cover)
 (front mounting nut (optional))

Panel surface mounting
 (mount with supplied nuts)



Dimension in mm size

11	Fitting	316 Stainless steel	2
10	Needle valve	—	1
9	Mounting nut	Brass	2
8	Side plate	Al	2
7	Back plate	Yellow acrylic resin	1
6	Front plate	Clear acrylic resin	1
5	Float	Hard glass or 316 Stainless steel	1
4	Tube	Hard glass	1
3	Cap nut	Brass	2
2	Lower block	316 Stainless steel	1
1	Upper block	316 Stainless steel	1

KOFLOC Corp.

DESIGNED DRAWN CHECKED APPROVED

DATE