



Digital flow indicator

DPM-3

Instruction Manual

KOFLOC Corp.

Read this page before proceeding!

<Prior to Use> or <for Safe Use>

Pictures: In this Instruction Manual and on products, various pictures are shown for correct using of the products and for preventing harm to people including you and damage to properties. Their meanings are as follows.



DANGER

Ignoring this indication or wrong handling may lead to an imminent danger such as death or serious injury.



WARNING

Ignoring this indication or wrong handling may result in death or serious injury.



CAUTION

Ignoring this indication or wrong handling may cause injury to people or property damage only.

● Installation

Although there is no restriction in particular on the installing position, the installation place should be free from dust and moisture so as to prevent insulation failure due to dewing. Due attention should be paid to the installation environment such as improving ventilation by installing a cooling fan if temperature rise is expected due to apparatuses around the product. Avoid the installation at a place subject to continuous vibration because there is the possibility of contact failure of cable connections.



CAUTION

- Never install the product at a humid or moist place. It is dangerous because electric shock will be caused.
- Do not install it at a place where ambient temperature is very high. Internal circuits may be damaged due to high temperature.
- Installation at a place subject to constant vibration may result in contact failure of cable connections.



Failure

If any failure of this unit is suspected, it must be checked at a safe place such as check terminals of the connected apparatuses instead of checking the output voltage, etc. with the connector pins of this apparatus, to prevent short-circuit, etc.

In case of failure, contact our company.



DANGER

Never disassemble the product. Touching the interior is very dangerous because there is the possibility of electrical shock.



Contents

1.	Outline.....	- 4 -
2.	Standard Specifications.....	- 4 -
3.	Block Diagram.....	- 4 -
4.	Pin Assignment.....	- 4 -
5.	DPM-3 Scaling Change/Adjusting Method.....	- 5 -
6.	Dimensional Outline Drawing.....	- 6 -
7.	Product Warranty.....	-6-

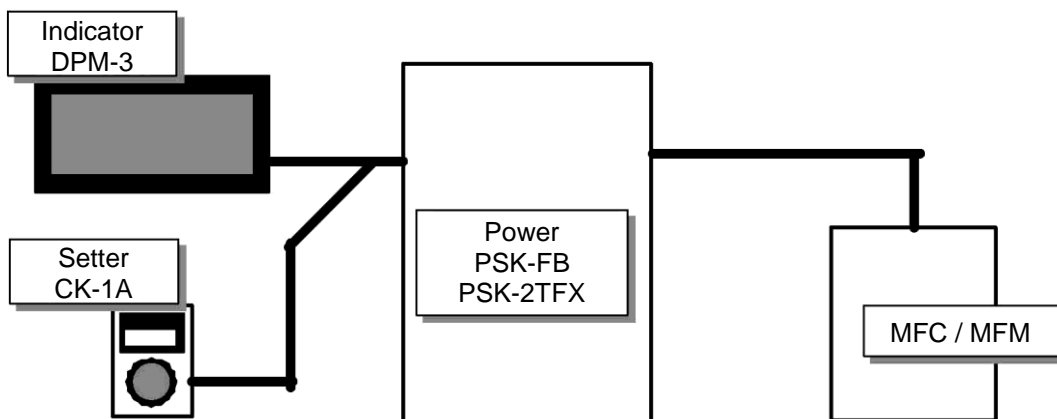
1. Outline

Digital flow indicator DPM-3 is a flow indicator for mass-flow controller/mass-flow meter. The flow rate is indicated in 3-1/2 figure direct-reading (standard) or 1000 full-scale.

2. Standard Specifications

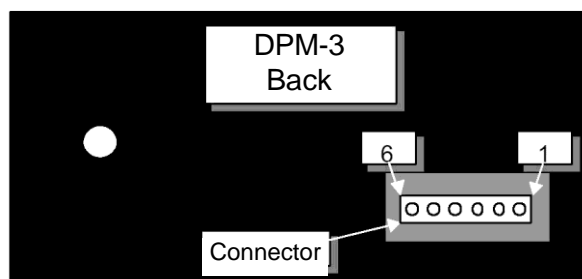
Item	Specification
Indication	7-segment LED, 3-1/2 figure direct-reading
Power supply	+5VDC
Installation	Panel mount

3. Block Diagram



4. Pin Assignment

Pin No.	Signal name
1	MFC signal input
2	Signal input COM
3	Output signal
4	Output COM
5	Power supply +5VDC
6	Power supply COM



5. DPM-3 Scaling Change/Adjusting Method

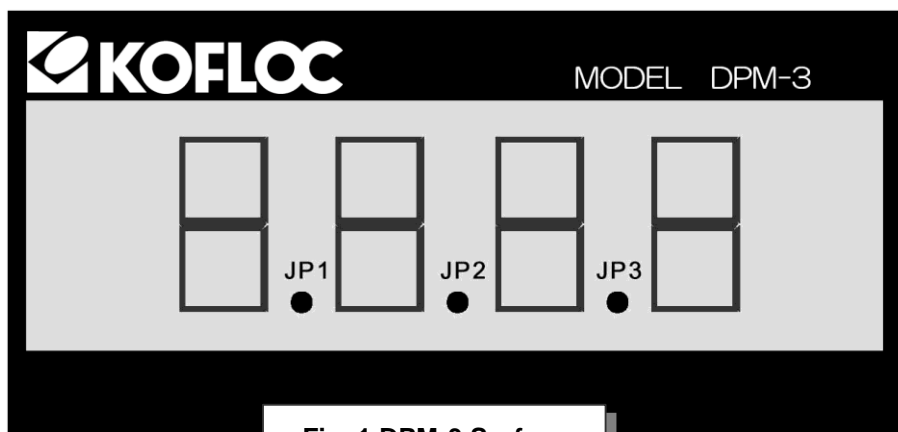


Fig. 1 DPM-3 Surface

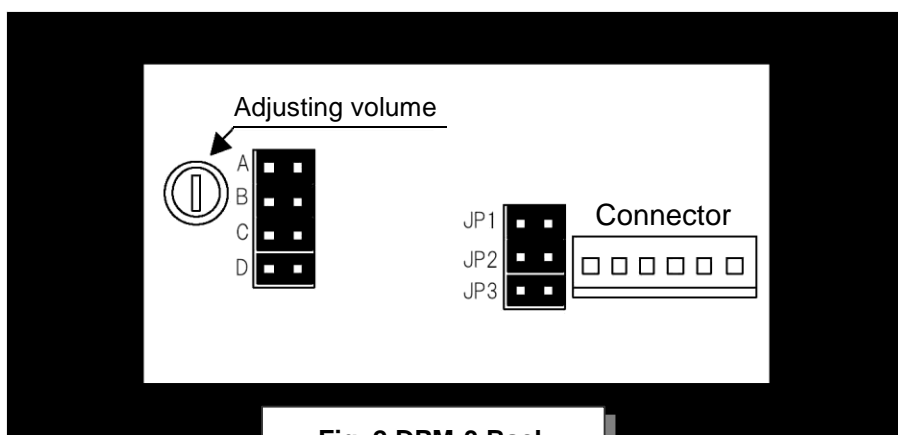


Fig. 2 DPM-3 Back

Remove the back cover and you will see the board as shown in Fig. 2.

■ Full-scale change

The full scale is changed with the jumper pins (A, B, C, D), (JP1, JP2, JP3).

A	1	0	0	0
B	2	0	0	
C	3	0	0	
D	5	0	0	

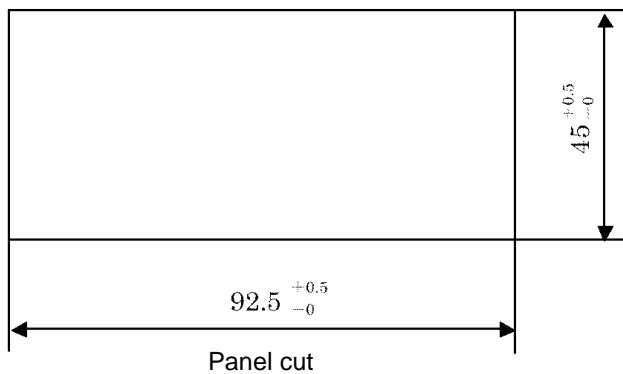
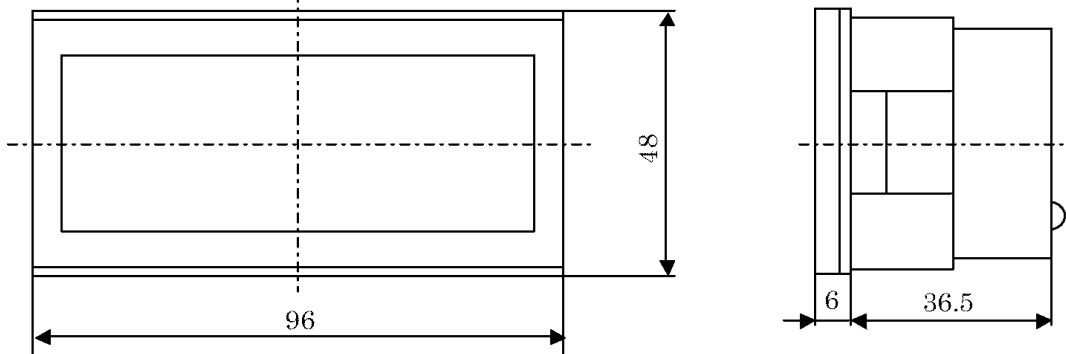
- ① Jumper of indicated value to be set of jumper pins (A, B, C, D) (for the indicated value, see the left table).
- ② After setting (A, B, C, D), the decimal point is set with (JP1, JP2, JP3) (see Fig. 1) to complete the full-scale change.

* When the setting is changed, the full-scale value may be deviated, and in such a case, the full-scale adjustment should be made.

■ Full-scale adjustment

If the full scale is deviated, adjust it by turning the adjusting volume on the left side of Fig. 2.

6. Dimensional Outline Drawing



7. Product warranty

1. The contents of warranty

① Warranty period

The warrant period shall be one year after the shipment.

② Warranty range

If a malfunction of the product you purchased occurs because of our responsible reasons, offer of substitute or it will be charge-free repaired in our factory. But if a malfunction of the machine occurs due to the following reasons, even within the warrant period, it becomes the outside for a warranty.

- (a) Malfunctions due to erroneous applications, repairs or remodeling.
(Including the case in which the manufacturing specification differs from the application conditions.)
- (b) Malfunctions due to the falling after the purchase.
- (c) Malfunctions caused by natural disasters such as fire, earthquake, water disaster and lightning stroke, or riots or wars.
- (d) Malfunctions caused by mixing-in of foreign matters out of the piping.
- (e) Malfunctions caused by the peculiar problems due to combinations with other built in equipment.

In addition, a warranty here means the warranty of the product simple substance of our company. So the damage induced by failure of the products of our company shall be eliminated from the object of warranty.

KOFLOC Corp.
URL : <http://www.kofloc.co.jp>