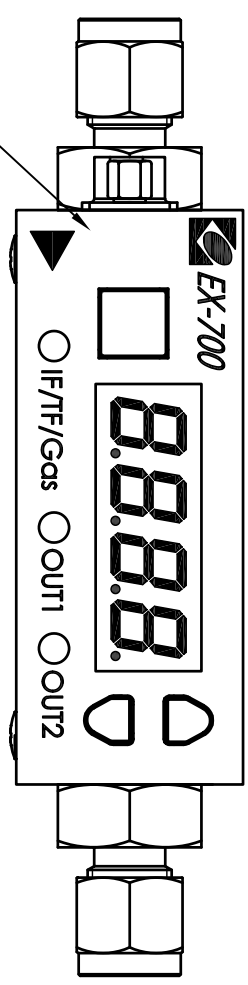


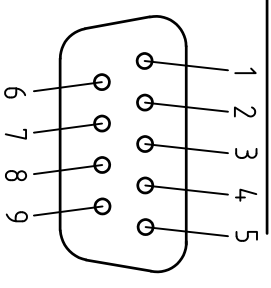
DWG. No.:	MR300077A1
TITLE	Digital Mass Flow Meter EX-700-0(~20slm)
CUSTOMER	

Specifications

Fluid: _____
 Flow rate: _____
 Input signal: _____
 Output signal: _____
 Power supply: _____

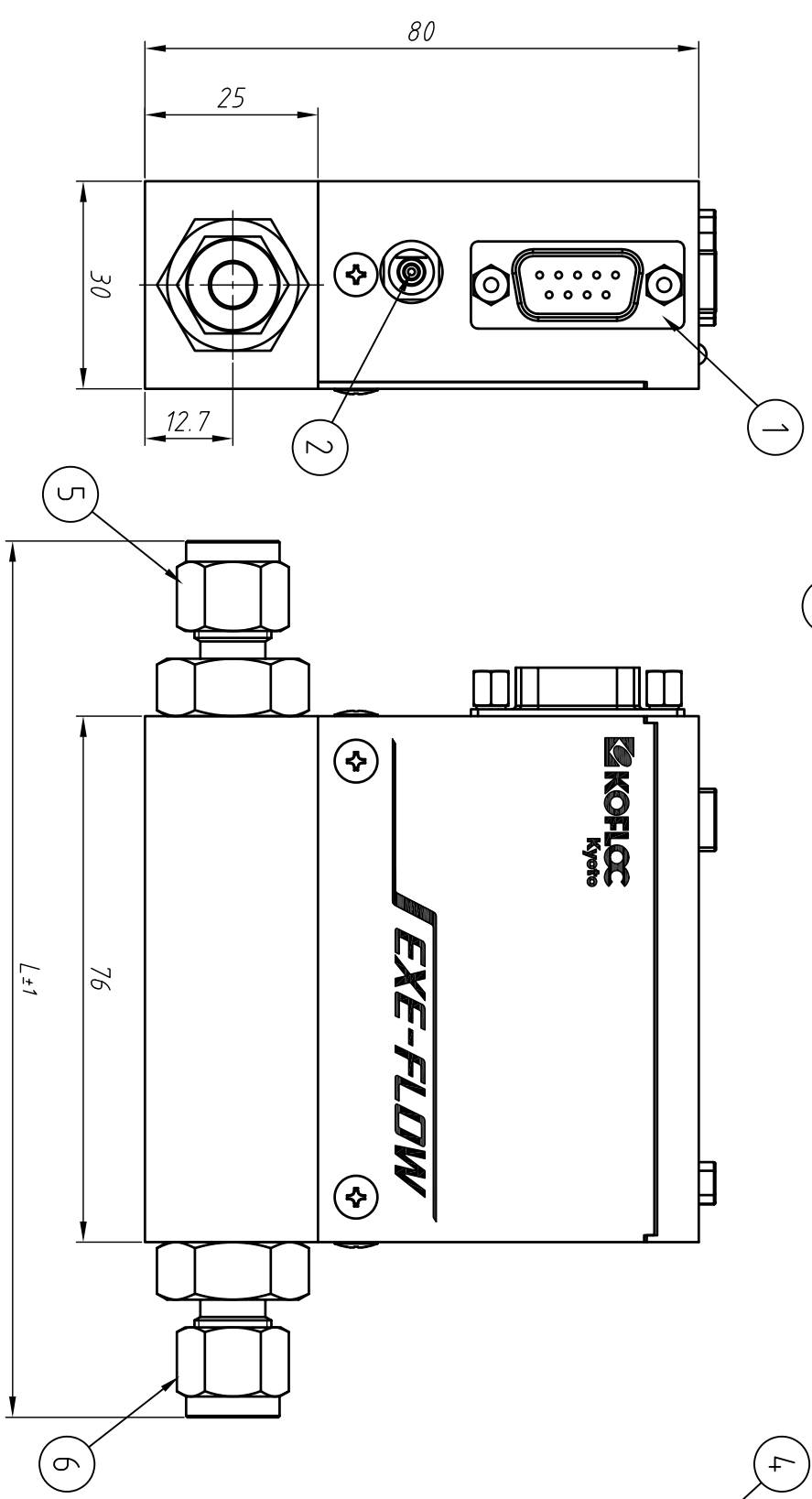


① Dsub connector(male)

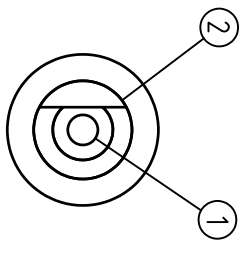


Pin No.	Signal Name
1	Power+24V *1,*2
2	Power COM
3	OUT1
4	OUT2
5	OUT COM
6	Analog output
7	TR+(RS485)
8	TR-(RS485)
9	Analog output COM TR COM(RS485)

*1 Isolated from other signals
 *2 This pin is internally disconnected when the DC jack is connected



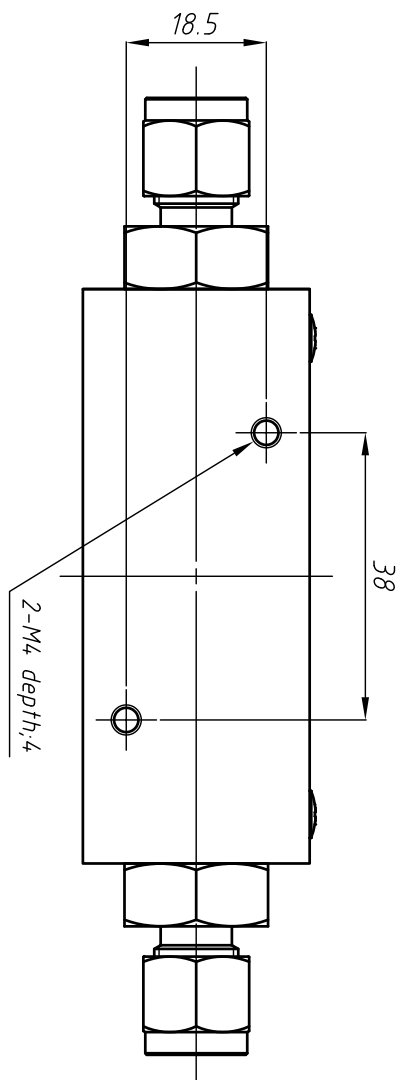
② DC Jack



Pin No.	Signal Name
1	Power GND *1
2	Power+24VDC *1

Table 1. Various fittings and "L" dimension

Fitting	Dimension [mm]
1/4F900	126.6
1/8F900	122.6
3/8F900	131.6
1/4UJR	123.0
Rc1/4	102.0
1/8SWL	122.8
1/4SWL	127.4
3/8SWL	130.4
1/4VCR	123.8



No.	NAME	SPECIFICATIONS	NOTES
1	Connector	Dsub9pin(male)	M2.6
2	DC Jack		
3	Display		
4	Zero adjust switch		
5	Inlet Fitting		Table.1
6	Outlet Fitting		Table.1

Rev.			
KOFLOC Corp.			
DESIGNED	DRAWN	CHECKED	APPROVED

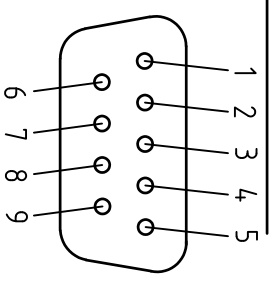
DATE	/	/	/

DWG. No.:	MR300078A1
TITLE	Digital Mass Flow Meter EX-700-0(50,100,200slm)
CUSTOMER	

Specifications

Fluid: _____
 Flow rate: _____
 Input signal: _____
 Output signal: _____
 Power supply: _____

① Dsub connector(male)



Pin No.	Signal Name
1	Power+24V *1,*2
2	Power COM
3	OUT1
4	OUT2
5	OUT COM
6	Analog output
7	TR+(RS485)
8	TR-(RS485)
9	Analog output COM TR COM(RS485)

*1 Isolated from other signals
 *2 This pin is internally disconnected when the DC jack is connected

6	Outlet Fitting	Table.1	
5	Inlet Fitting	Table.1	
4	Zero adjust switch		
3	Display		
2	DC Jack		
1	Connector	Dsub9pin(male)	
No.	NAME	SPECIFICATIONS	NOTES
1	Connector	Dsub9pin(male)	M2.6
SCALE 1 : 1		PROJECTION	
Rev.			

KOFLOC Corp.

DESIGNED	DRAWN	CHECKED	APPROVED

DATE	/	/	/

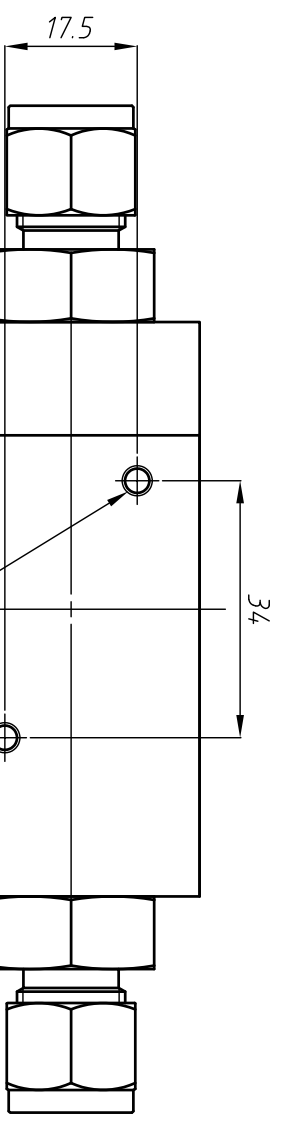
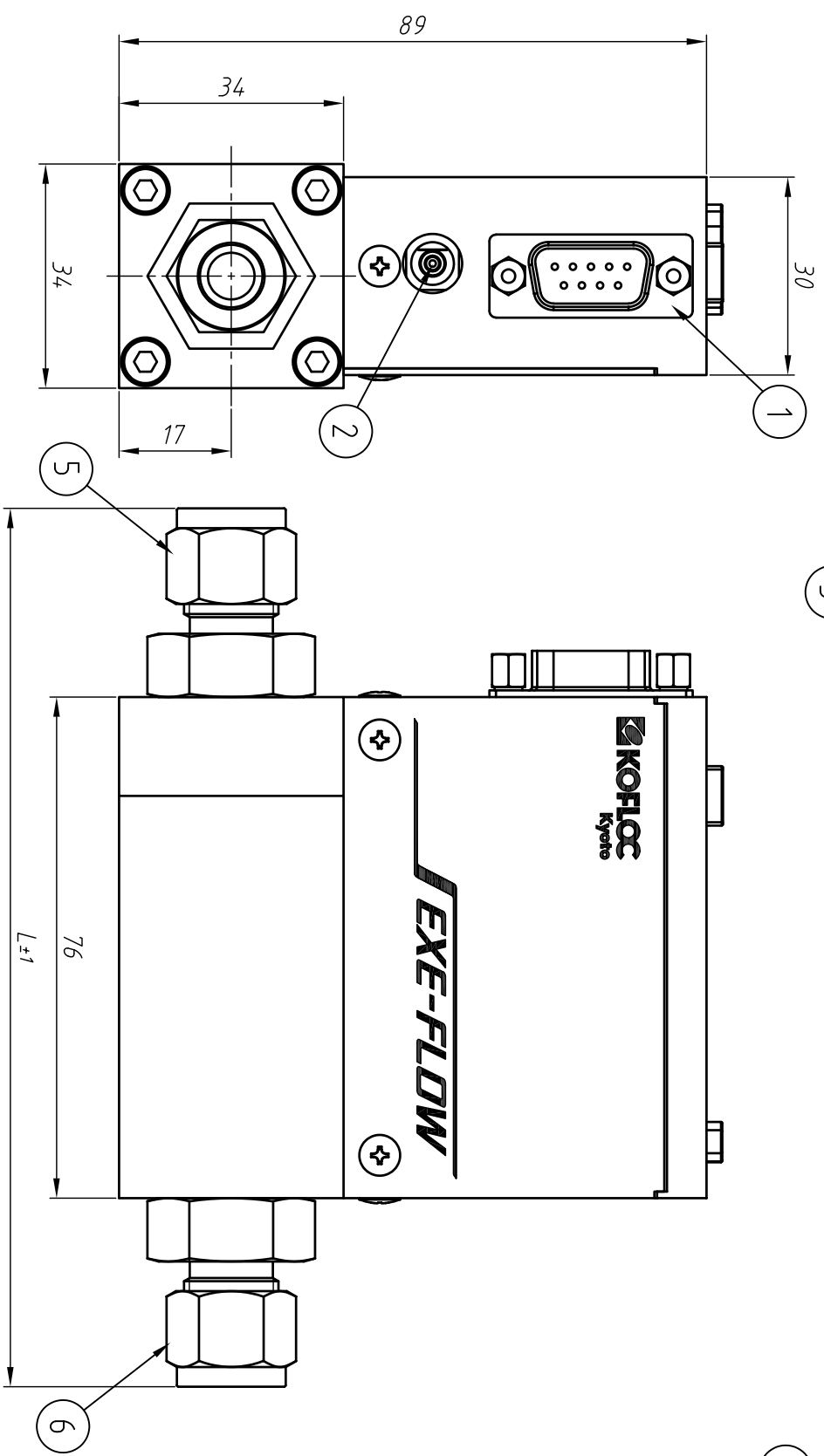
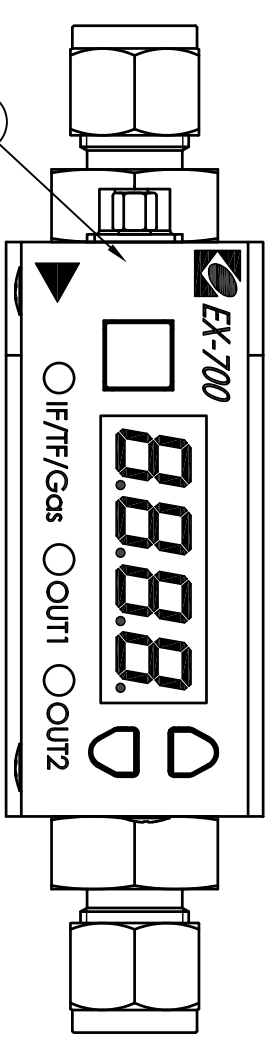
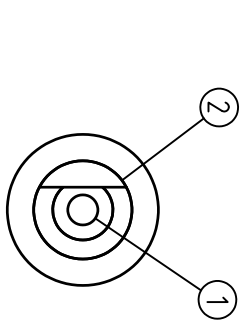


Table 1. Various fittings and "L" dimension

Fitting	Dimension L[mm]
3/8F900	133.2
3/8SWL	130.4

Pin No.	Signal Name
1	Power GND *1
2	Power+24VDC *1



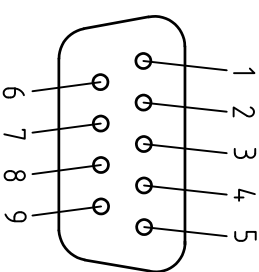
② DC Jack

DWG. No.:	MR300079A1
TITLE	Digital Mass Flow Meter with Needle Valve EX-700-V(~20slm)
CUSTOMER	

Specifications

Fluid: _____
 Flow rate: _____
 Input signal: _____
 Output signal: _____
 Power supply: _____

① Dsub connector(male)



Pin No.	Signal Name
1	Power+24V *1,*2
2	Power COM
3	OUT1
4	OUT2
5	OUT COM
6	Analog output
7	TR+(RS485)
8	TR-(RS485)
9	Analog output COM TR COM(RS485)

*1 Isolated from other signals
 *2 This pin is internally disconnected when the DC jack is connected

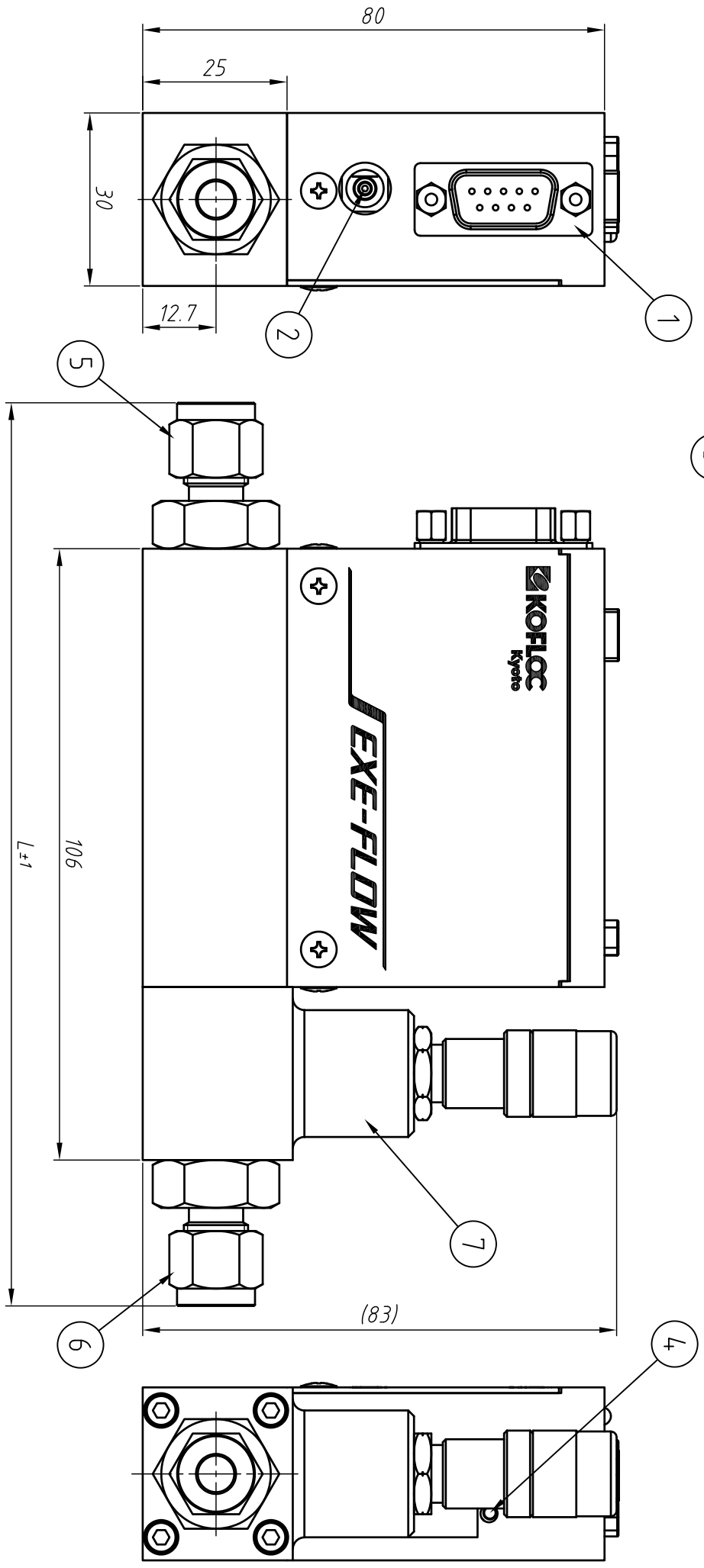
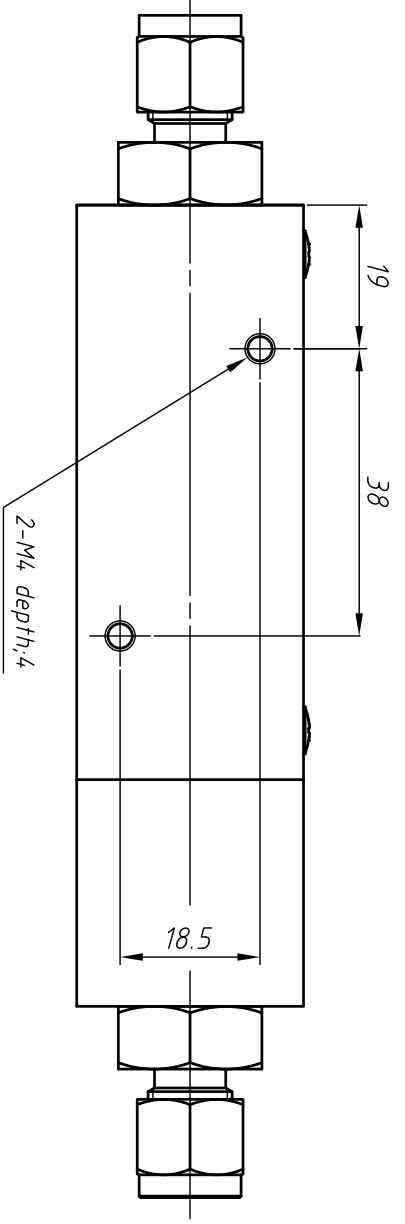
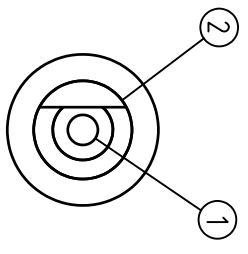


Table 1. Various fittings and "L" dimension

Fitting	Dimension [mm]
1/4F900	156.6
1/8F900	152.6
3/8F900	163.2
1/4UJR	153.0
Rc1/4	132.0
1/8SWL	152.8
1/4SWL	157.4
3/8SWL	160.4
1/4VCR	153.8



② DC Jack



Pin No.	Signal Name
1	Power GND *1
2	Power+24VDC *1

No.	NAME	SPECIFICATIONS	NOTES
1	Connector	Dsub9pin(male)	M2.6
2	DC Jack		
3	Display		
4	Zero adjust switch		
5	Inlet Fitting		Table.1
6	Outlet Fitting		Table.1
7	Needle valve		

DESIGNED	DRAWN	CHECKED	APPROVED
DATE	/ /	/ /	/ /

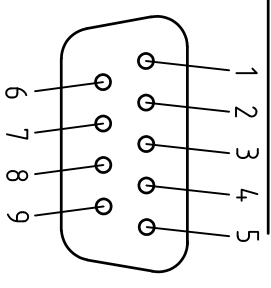
KOFLOC Corp.

DWG. No.:	MR300080A1
TITLE	Digital Mass Flow Meter with Needle Valve EX-700-V(50,100,200slm)
CUSTOMER	

Specifications

Fluid: _____
 Flow rate: _____
 Input signal: _____
 Output signal: _____
 Power supply: _____

① Dsub connector(male)



Pin No.	Signal Name
1	Power+24V *1,*2
2	Power COM
3	OUT1
4	OUT2
5	OUT COM
6	Analog output
7	TR+(RS485)
8	TR-(RS485)
9	Analog output COM TR COM(RS485)

*1 Isolated from other signals
 *2 This pin is internally disconnected when the DC jack is connected

No.	NAME	SPECIFICATIONS	NOTES
1	Connector	Dsub9pin(male)	M2.6
2	DC Jack		
3	Display		
4	Zero adjust switch		
5	Inlet Fitting		Table.1
6	Outlet Fitting		Table.1
7	Needle valve		

KOFLOC Corp.

DESIGNED	DRAWN	CHECKED	APPROVED

DATE	/	/	/

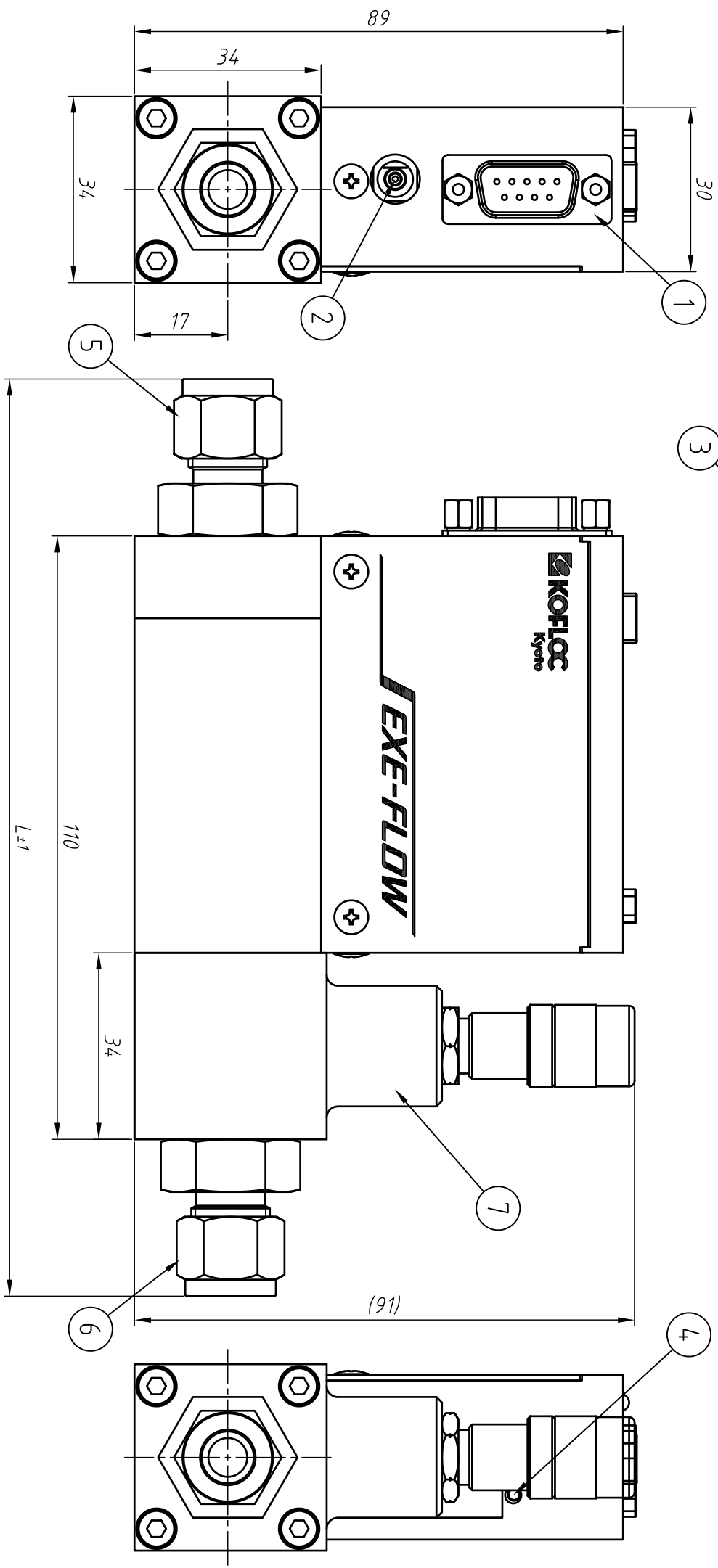
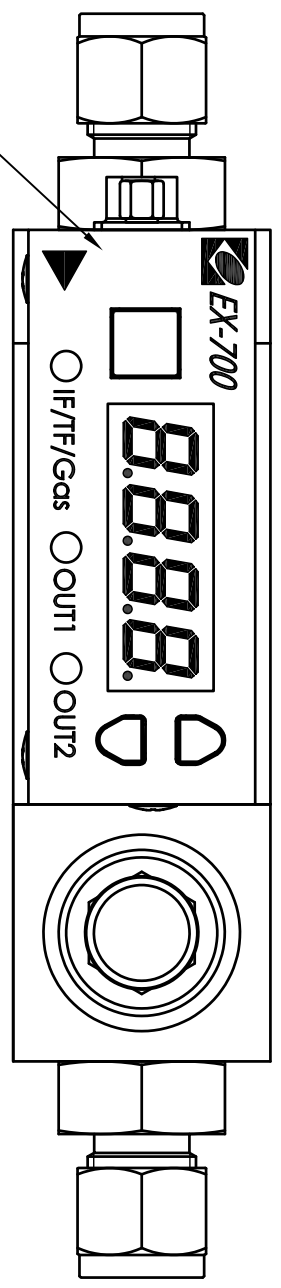
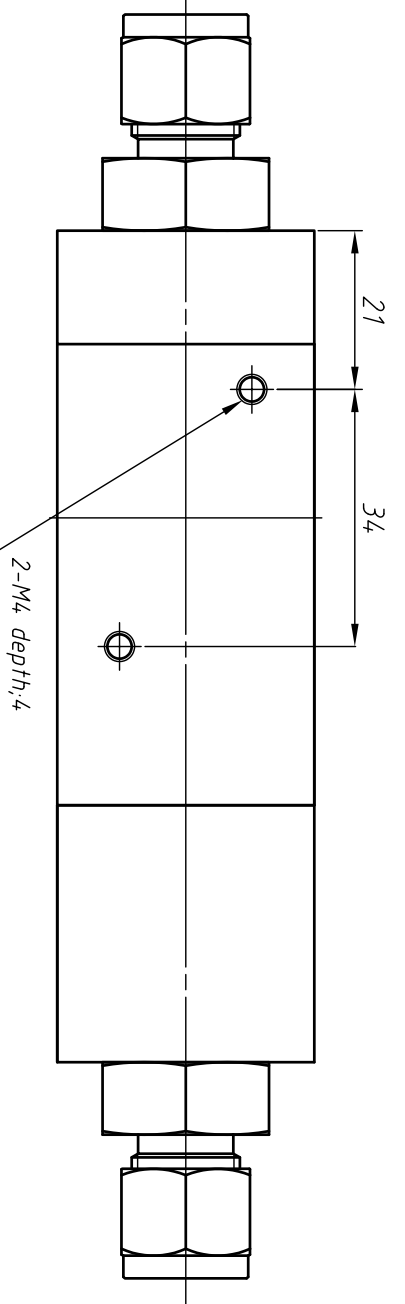
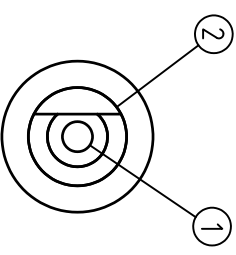


Table 1. Various fittings and "L" dimension

Fitting	Dimension L[mm]
3/8F900	167.2
3/8SWL	164.4



② DC Jack



Pin No.	Signal Name
1	Power GND *1
2	Power+24VDC *1