

Standard Specifications

Liquid	H ₂ O (equivalent to tap water)
Flow rate rating (in terms of H ₂ O)	1-10mL/min 10-100mL/min 50-500mL/min
	0.1-1L/min
Control accuracy (NOTES:2)	±3% (FULL SCALE)
Operating pressure difference	0.1MPa or more
Working pressure	0.1-0.5MPa(G)
Pressure resistance	0.7MPa(G)
Materials of areas in contact with fluid	SUS316,FKM,FFKM,PTFE
Operating temperature	15-35°C
Connection end	Rc1/4

Dwg. No.	FR330044A1
Name	Constant Flow Valve for Liquids MODEL2600-S
Customer	

MODEL:2600-S-*

Specifications

Fluid: H₂O

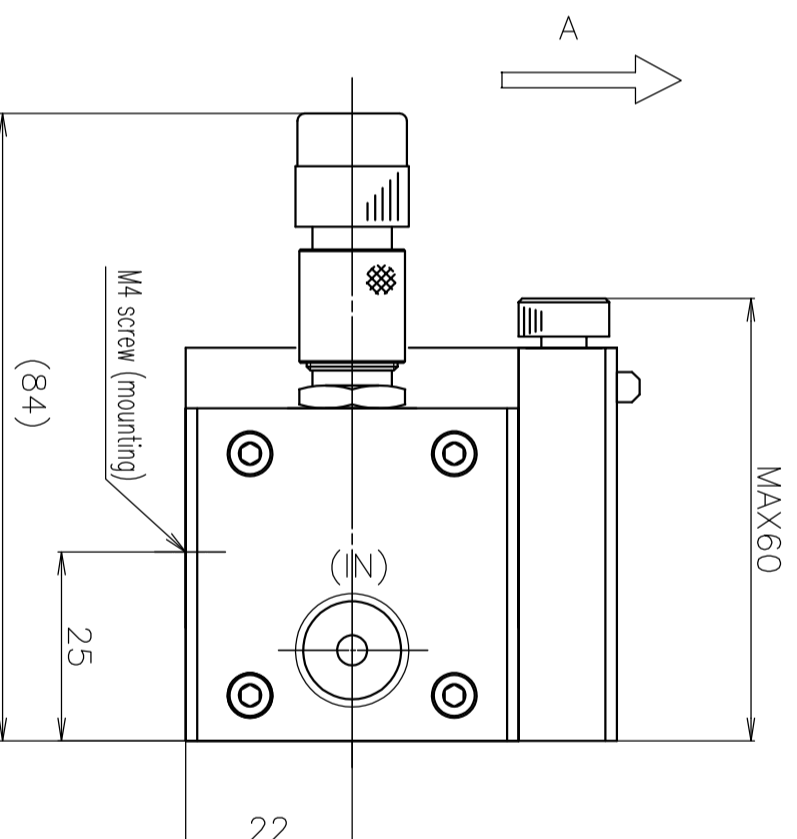
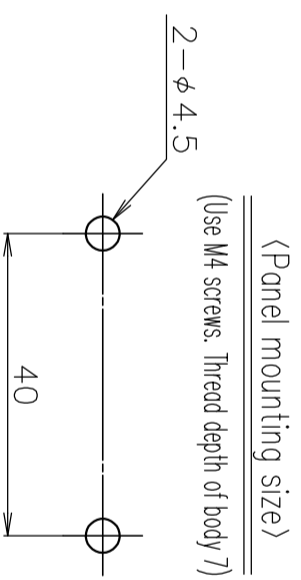
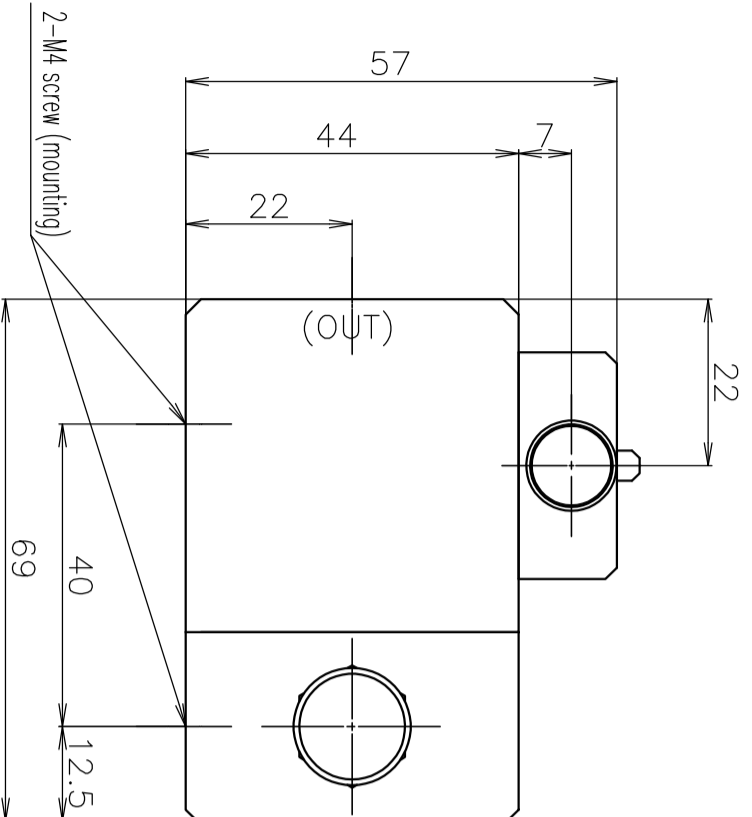
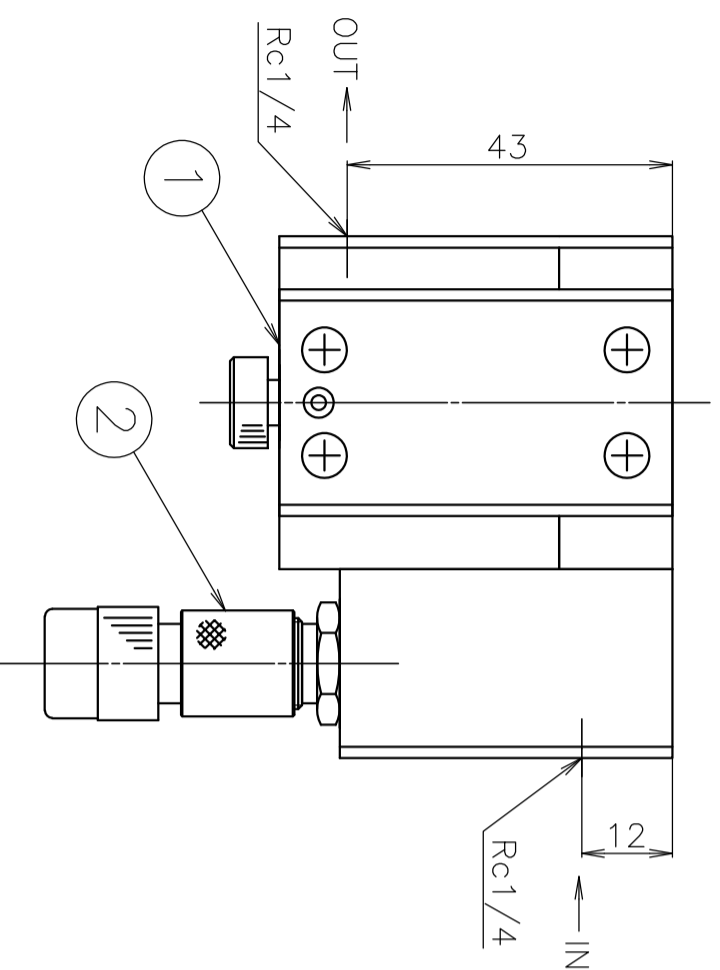
Flow rate:

Connection: Rc1/4

Remarks: Recommended that the valve be installed with the A part facing up (to remove bubbles).

NOTES

1. The specifications and external dimensions are subject to change without notice.
2. The control accuracy is warranted subject to the condition that the liquid temperature is constant because its viscosity varies according to temperature.



Dimension in mm size

No.	NAME	MATERIAL	Qt.	NOTES
2	Needle valve	SUS type	1	
1	Constant Flow Valve	SUS type	1	
SCALE 1/1				
3RD ANGLE PROJ. R E V				

KOFLOC Corp.

DESIGNED	DRAWN	CHECKED	APPROVED
----------	-------	---------	----------

DATE 6 / SEP. / 2022