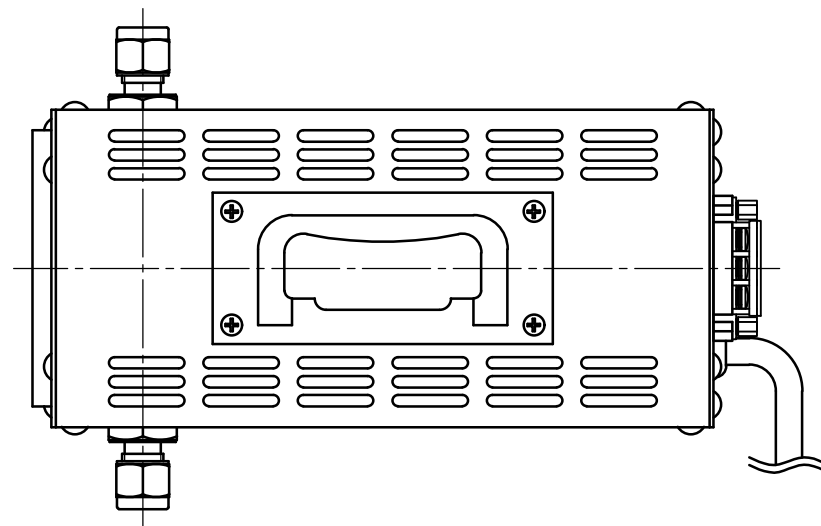


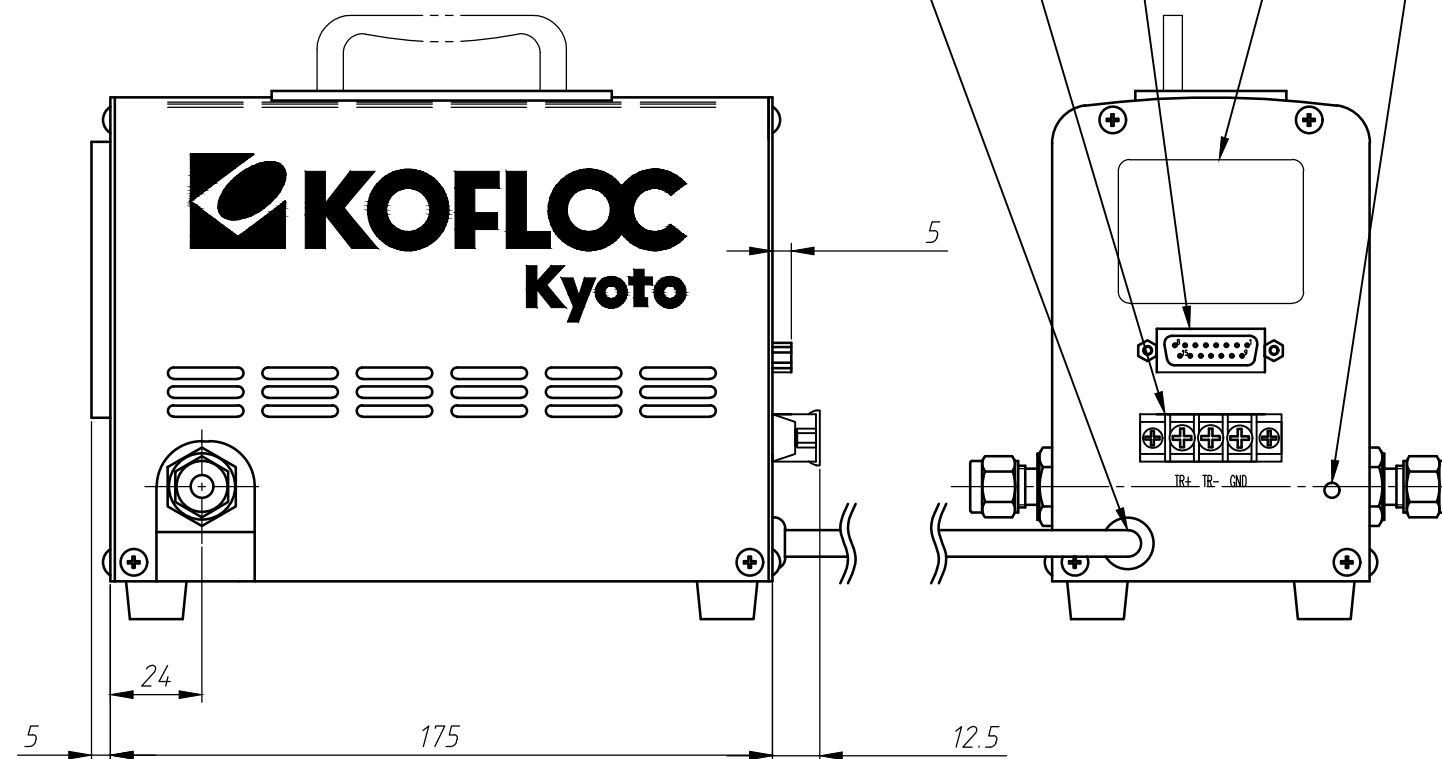
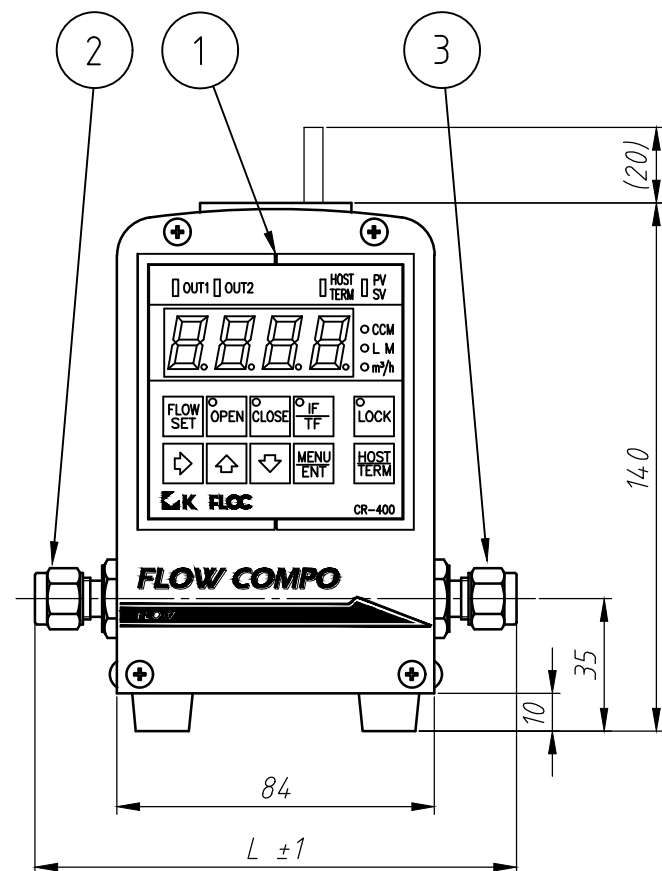
DWG. No.	MR300230A1
TITLE	FLOW COMPO FCC-4000/FCM-4000
CUSTOMER	



INPUT/OUTPUT SIGNAL CONNECTOR
Dsub15P(FEMALE)

Pin NO.	SIGNAL NAME
1	MF OUTPUT SIGNAL 0~5VDC
2	MF OUTPUT SIGNAL COM
3	MFC FLOW SETTING SIGNAL
4	MFC FLOW SETTING SIGNAL COM
5	VALVE OPEN CONTROL SIGNAL
6	VALVE CLOSE CONTROL SIGNAL
7	VALVE OPEN SIGNAL(+15VDC)INPUT.
8	VALVE CLOSE SIGNAL(-15VDC)INPUT.
9	HOST/TERM CHANGEOVER SIGNAL
10	VALVE OPEN/CLOSE CONTROL SIGNAL COM
11	INVENT OUTPUT 1
12	INVENT OUTPUT 2
13	INVENT OUTPUT COM
14	N.C.
15	HOST/TERM CHANGEOVER SIGNAL COM

Note:FCM uses only 1-2,11-13pin.



Fittings	L dimensions[mm]
1/8" F900	122.8
1/4" F900	127.4
3/8" F900	130.4
1/4 UJR	123.8
Rc 1/4	102

Terminal Block
OTB-60-3P

Pin NO.	SIGNAL NAME
1	RS-485 (TR+)
2	RS-485 (TR-)
3	RS-485 (GND)

8	Terminal Block	OTB-60-3P	
7	Label		
6	AC Cord	3P with Plug, 3m	2P Conversion Adapter
5	Zero Adjustment		
4	Input/Output Signal Connector	Dsub 15pin(Socket)	
3	Outlet Fitting		
2	Inlet Fitting		
1	Operation,Indication Panel		

No.	Name	Specification	Note
SCALE	1 : 1	PROJECTION	

Rev.	

KOFLOC Corp.			
DESIGNED	DRAWN	CHECKED	APPROVED
Siho.0	Siho.0		
DATE	03 / 09 / 2020		