

DWG. No.	MR300023A1
TITLE	Digital Mass Flow Device EX-550(MEM/MFC)
CUSTOMER	

Specifications

Fluid: _____
 Flow rate: _____
 Input signal: _____
 Output signal: _____
 Power supply: _____

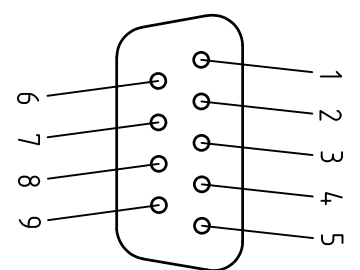


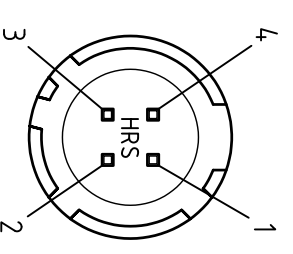
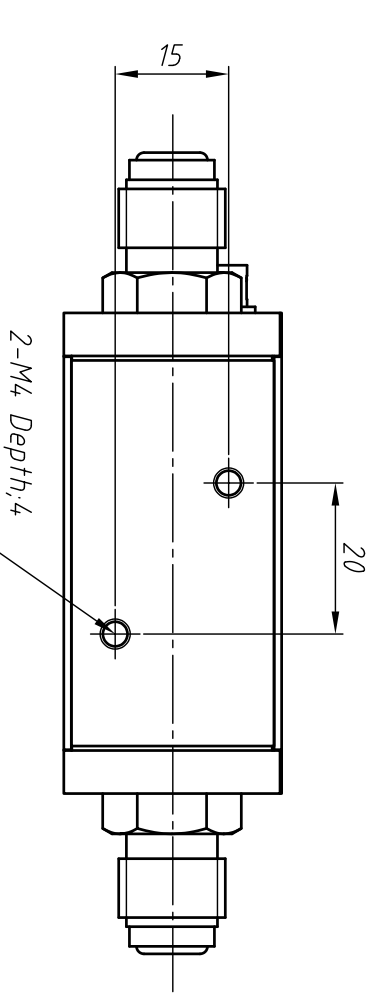
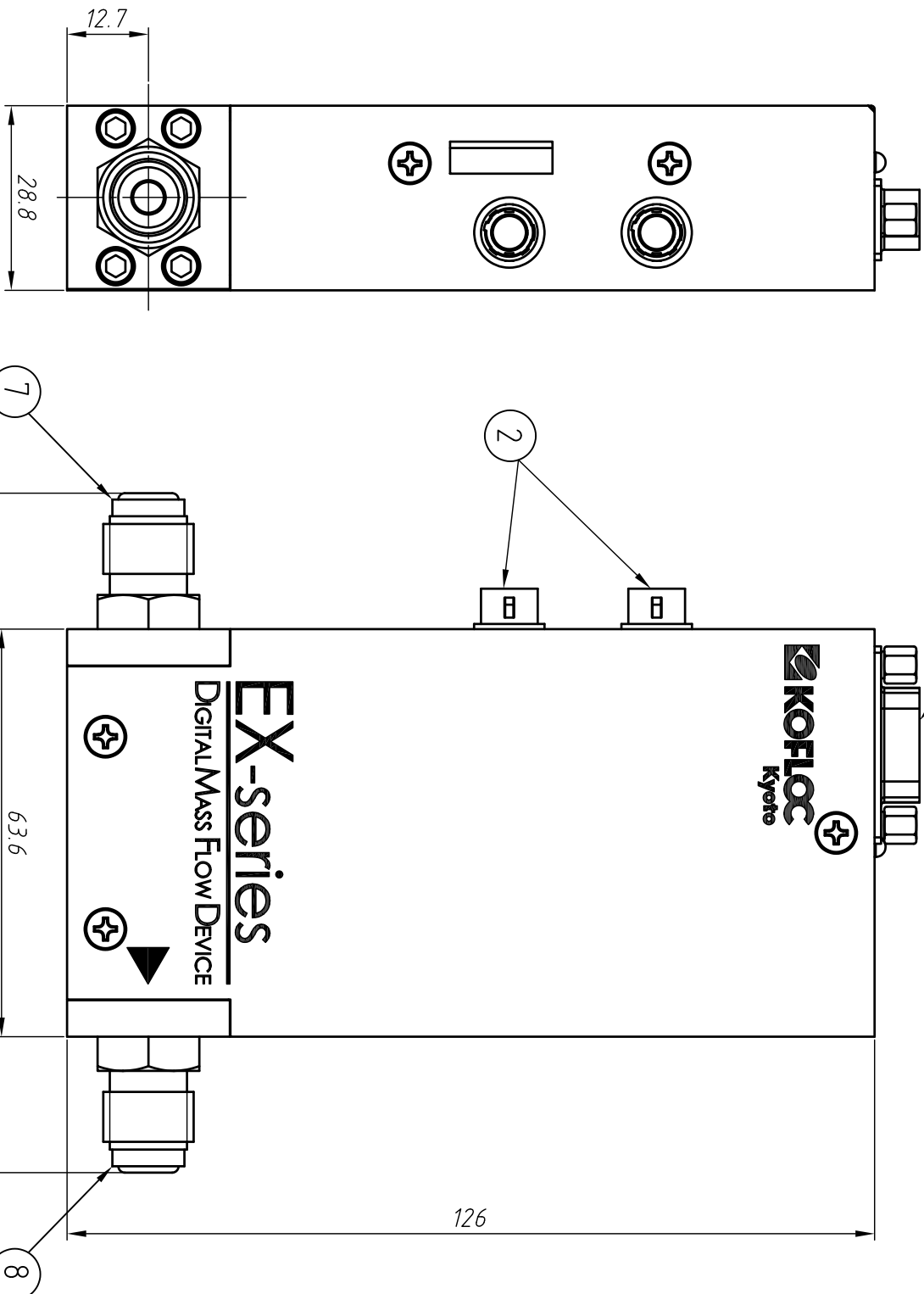
Table1. ⑤ Rotary switch(SW1) position

No.	Gas
0	Calibration gas
1	N2
2	Air
3	H2
4	He
5	Ar
6	O2
7	CO2
8	Converted value used by C.F. (Unchangeable)
9	User custom mode (Changeable by software)

① Dsub connector(male)

Pin No.	Signal Name	±15V specification	+24V specification
1	Valve open/close*1		
2	Output signal		
3	Power+15V	Power+24V	
4	Power COM		
5	Power-15V	N.C.*2	
6	Set point Hi*1		
7	Signal COM		
8	Set point Lo*1		
9	N.C.*2		

*1. Only EX-250SC
 *2. No Connection



② HR10A-7R-4S /HRS

Pin No.	Signal Name
1	TR-(RS485)
2	TR+(RS485)
3	TRCOM(RS485)
4	TRCOM(RS485)

No.	NAME	SPECIFICATIONS	NOTES
8	Outlet Fitting	1/4"VCR	
7	Inlet Fitting	1/4"VCR	
6	Rotary switch(SW2)	Address setting switch	1~9
5	Rotary switch(SW1)	Multi gas setting switch	Table.1
4	Zero adjust switch		
3	LED	Red/Green	
2	Communication connector	HR10A-7R-4S/HRS	
1	Connector	Dsub9pin(male)	

SCALE 1 : 1

DESIGNED: _____ DRAWN: _____ CHECKED: _____ APPROVED: _____

DATE: / /

KOFLOC Corp.